

# Mobile Cylinder Div. Replacement Refuse Cylinders

Catalog HY18-0020/US Rev C

aerospace  
climate control  
electromechanical  
filtration  
fluid & gas handling  
**hydraulics**  
pneumatics  
process control  
sealing & shielding



ENGINEERING YOUR SUCCESS.

---

 **WARNING - USER RESPONSIBILITY**

FAILURE OR IMPROPER SELECTION OR IMPROPER USE OF THE PRODUCTS DESCRIBED HEREIN OR RELATED ITEMS CAN CAUSE DEATH, PERSONAL INJURY AND PROPERTY DAMAGE.

This document and other information from Parker-Hannifin Corporation, its subsidiaries and authorized distributors provide product or system options for further investigation by users having technical expertise.

The user, through its own analysis and testing, is solely responsible for making the final selection of the system and components and assuring that all performance, endurance, maintenance, safety and warning requirements of the application are met. The user must analyze all aspects of the application, follow applicable industry standards, and follow the information concerning the product in the current product catalog and in any other materials provided from Parker or its subsidiaries or authorized distributors.

To the extent that Parker or its subsidiaries or authorized distributors provide component or system options based upon data or specifications provided by the user, the user is responsible for determining that such data and specifications are suitable and sufficient for all applications and reasonably foreseeable uses of the components or systems.

**Offer of Sale**

The items described in this document are hereby offered for sale by Parker Hannifin Corporation, its subsidiaries or its authorized distributors. This offer and its acceptance are governed by the provisions stated in the "Offer of Sale".

© Copyright 2009, Parker Hannifin Corporation, All Rights Reserved

## Table of Contents

---

<b>General Information</b> .....	<b>4</b>
<b>Telescopic Cylinder Design</b> .....	<b>6</b>
<b>Rod Cylinder Design</b> .....	<b>7</b>
<b>Recommended Cylinder Replacement &amp; Maintenance Practices</b> .....	<b>8</b>
<b>Hydraulic Cylinder Troubleshooting Table</b> .....	<b>11</b>
<b>Refuse Body Cylinder Application Guide</b> .....	<b>12</b>
<b>Accurate Industries</b> .....	<b>16</b>
<b>Automated Waste / American Roll-Off</b> .....	<b>18</b>
<b>Benlee Roll-Off</b> .....	<b>19</b>
<b>Dempster</b> .....	<b>20</b>
<b>E-Z Pack (Clean Earth, McClain, Galion)</b> .....	<b>28</b>
<b>G-S Products</b> .....	<b>39</b>
<b>G &amp; H Manufacturing</b> .....	<b>40</b>
<b>Galbreath</b> .....	<b>44</b>
<b>Heil</b> .....	<b>50</b>
<b>Kann</b> .....	<b>61</b>
<b>Labrie Equipment</b> .....	<b>63</b>
<b>Leach</b> .....	<b>65</b>
<b>McNeilus (MTM)</b> .....	<b>70</b>
<b>Maxon</b> .....	<b>84</b>
<b>Pak-Mor</b> .....	<b>85</b>
<b>Wittke</b> .....	<b>87</b>
<b>Quick Reference Guide</b> .....	<b>90</b>
<b>Telescopic Cylinder Application Data Form</b> .....	<b>110</b>
<b>Piston Rod Cylinder Application Data Form</b> .....	<b>111</b>
<b>Storage and Installation</b> .....	<b>112</b>
<b>Safety Guidelines for</b> .....	<b>113</b>
<b>Offer of Sale</b> .....	<b>114</b>



Cylinders were among the first hydraulic products of Commercial Hydraulics beginning in 1928. In 2000 Commercial Intertech Corp. merged with the Parker Hannifin Corp. Today, the Parker Mobile Cylinder Division is recognized as one of the largest independent manufacturers of hydraulic cylinders for mobile equipment and a leading supplier to refuse, mining, truck, material handling and positioning markets. Parker's Mobile Cylinder Division products include double- and single-acting telescopic cylinders, rod cylinders and "smart cylinders" with internal electronic controls.

Additionally, the company enjoys a reputation for quality custom built cylinders that demonstrate engineering know how and adept manufacturing. Cylinders represent a significant portion of the company's Hydraulic Systems sales - their contribution has resulted in significant capital expenditures geared to establish Parker's Mobile Cylinder Division as the world's leading manufacturer of hydraulic cylinders.

### **About our Quick Reference and Application Guide . . .**

It's our goal to provide our customers with the highest quality cylinders. If the need arises for a cylinder not listed in this guide, please furnish us the following information and we'll do our best to provide a new or replacement.

- |   |                                   |
|---|-----------------------------------|
| * <b>OEM identification number</b>  | * <b>Retract or closed length</b> |
| * <b>Single- or double-acting type</b>  | * <b>Stroke length</b>            |
| * <b>Outside diameter of the largest moving stage or rod and bore diameters</b> | * <b>Extend or open length</b>    |
| * <b>Number of moving stages</b>  | * <b>Pineye sizes</b>             |
| * <b>Application</b>  | * <b>Plunger mount type</b>       |
|   | * <b>Base mount type</b>          |
- Please refer to the cylinder specification data forms for more information.**

Parker's Mobile Cylinder Division has complete manufacturing facilities to fill all your cylinder needs from 1 piece to 1000 pieces. If you're looking for a prototype, a special cylinder, or a production run, Parker's Mobile Cylinder Division is the place to call.

Parker Hannifin Corp.  
Mobile Cylinder Div.  
P.O. Box 239  
Youngstown, OH 44501-0239

Phone: 800-848-5575  
Fax: 800-694-3392  
E-mail: [mcdsales@parker.com](mailto:mcdsales@parker.com)  
[www.parker.com](http://www.parker.com)

**DISCLAIMER**  
**CROSSOVER AND APPLICATION DATA IS FOR REFERENCE ONLY.**  
**NO OTHER CONDITIONS ARE EXPRESSED OR IMPLIED.**

The information in this publication has been independently obtained from a wide variety of sources. However, the publisher disclaims any warranty expressed or implied or any liability or responsibility for the accuracy or correctness of any calculation or information which is critical, it should be independently verified.





**MOBILE CYLINDER DIVISION  
PRODUCTS & CAPABILITIES**

- **TELESCOPIC CYLINDERS**  
Single Acting  
Double Acting
- **SINGLE STAGE “Rod Type” CYLINDERS**  
Single Acting  
Double Acting
- **BUILD TO CUSTOMER PRINTS OR PER APPLICATION SPECIFICATIONS**
- **BORE SIZES UP TO 20” DIAMETER**
- **STROKE LENGTHS UP TO 500”**
- **OPERATING PRESSURES UP TO 10,000 PSI**
- **VARIOUS OPERATING FLUIDS**
- **BATCH SIZES 1PC TO 100’s**
- **VARIOUS MATERIALS & COATINGS**  
Stainless Steel  
Electroless Nickel  
Nitriding  
Chrome  
Double Chrome
- **TYPICAL OPTIONS**  
Load Holding Valves  
Electro-Hydraulic Transducers  
End of Stroke Hydraulic Cushions  
Protective Rod Boots  
Proximity Switches  
Flow Controls  
Flow Fuses

# Single and Double Acting Telescopic Cylinders

## ALL NEW DESIGN WITH THE FOLLOWING FEATURES

### Urethane Poly Pack Seals

- Custom Configured
- Multi-lip
- R&D and field tested

### Internal Bronze Packing Nuts\*

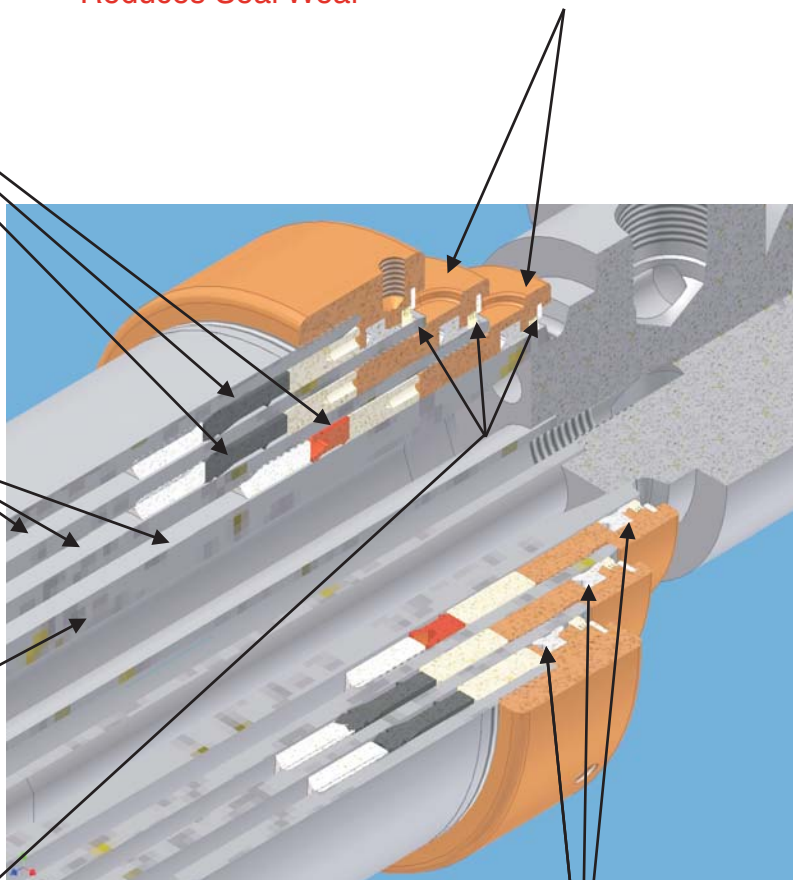
- Added bearing support (218% greater length)
- Eliminates back packing of garbage into the wipers
- Reduces Seal Wear

### Heavy Chrome Plating

- All stages 0.003" plated \*
- 0.002" plating non-FEL pack eject
- Reduces external nicks
- Increased corrosion protection
- Improved wear resistance

### Thick Wall Plunger\*

- Reduces flexing
- Helps eliminate fatigue



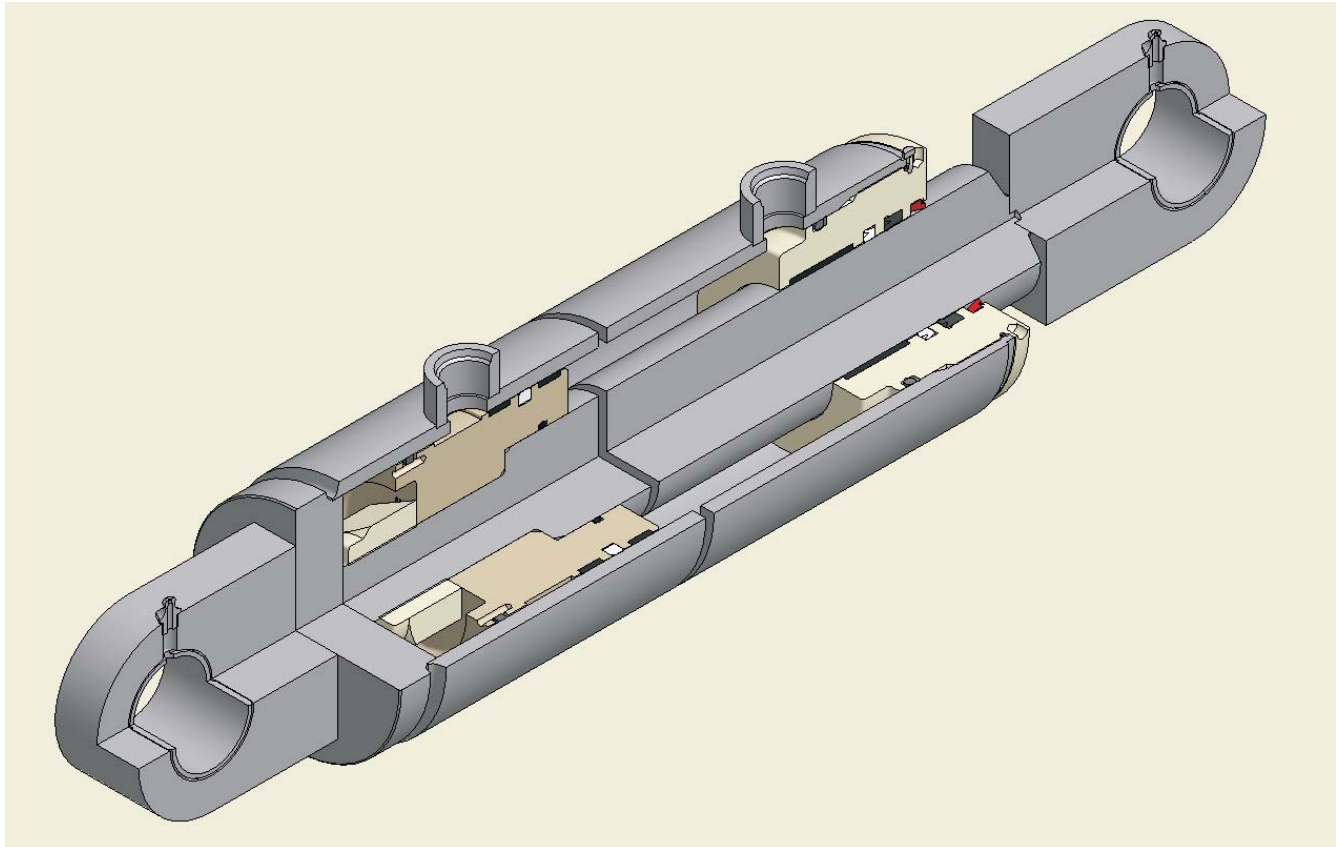
### Full Metal Scrapers\*

- Bronze scraper ring on each stage
- Removes foreign material from sleeves
- Protects the wipers and seals from external contamination
- Extends seal life

### Parker "H" Style Double Lip Wipers

- Stops external contamination from entering
- Prevents oil from escaping

**\*Features unique to the Front Loader, Pack Eject Cylinders**



**Features**

- Parker Seal Division – "Zero-leak" Sealing Package
- 100,000 Yield Induction Hardened Chrome Plated Rod as Standard
- Skived and Burnished Tubing
- Hardened Pin-eye Bushings
- Parker "Zero-leak" Internal Bypass Piston Design
- Greater Rod Support

**Benefits**

- Leak Free Extended Life
- More Resilient to External Damage
- Consistant Quality
- Extends Cylinder Life as Cylinder Wears
- More Efficient / Less Heat
- Resists rod Deflection and Side Loading

## ***Recommended Cylinder Replacement & Maintenance Practices***

---

### **PURPOSE:**

Hydraulic cylinders are the most expensive components to maintain on a collection unit. The following lists recommended guidelines for cylinder replacement practices. When installing a replacement cylinder, it is imperative that all causes of the cylinder failure (oil contamination, structural failures...) be corrected to protect the investment of the replacement cylinder. These recommendations are provided as minimum guidelines when replacing cylinders of collection vehicles.

When replacing a cylinder with a new or remanufactured cylinder, it is recommend that these basic items be performed prior to installation of the replacement cylinder:

1. Identify the root cause of cylinder failure (if applicable).
2. Flush and / or filter hydraulic oil and system. Replace oil and filter if applicable.
3. Check, correct any alignment problems (tracks, mounts, bearings, shoes, pins...).
4. Completely and thoroughly clean the mounting area of any refuse or contamination.
5. Replace all cylinder pins and pin retainers.
6. Replace all cylinder connecting hoses, fittings (flush before installation).
7. Fully lubricate all bearings before initial operation.

Detailed information provided below supports the 7 basic criteria recommended above.

***NOTE: Safety and safe working procedures must be followed at all times. OSHA Lock Out Procedures must be followed when maintaining and inspecting this equipment. Follow all safety practices when performing any inspection or maintenance procedures.***

### **A. BEFORE REPLACING CYLINDER - TROUBLESHOOTING and DIAGNOSTICS:**

***Many times a failed cylinder will be replaced without regard for the root cause of the failure. In most cases, the failure is a result of a “domino” effect of events that occur gradually over time, all contributing to the cylinder failure. Prior to removing and replacing a cylinder from a vehicle and/or returning a cylinder for warranty consideration, the following should be inspected:***

1. Determine the root cause of the failure (see troubleshooting table).
2. Inspect the rod/stage(s), the case, and the cylinder mounting (see troubleshooting table).
3. Check & document the hydraulic oil level, appearance and odor. Take and submit an oil sample.
4. Review the operating characteristics of the operator and of that particular unit as compared to other units.
5. Review the repair history of the vehicle.
6. Check & document the hydraulic system pressure and flow. (Reset as required)
7. Does the cylinder have any of the following operational damage that would cause the seal to leak.
  - a) Acid or caustic like corrosive damage.
  - b) Pitting/flaking chrome caused by corrosive material.
  - c) Contamination impregnated in or adhered to the rod that would pass through wipers and damage the seal.
8. Is internal damage (bypass) suspected?
  - a) Fluid contamination (may be indicated by scratches on rod).
  - b) Operating at higher than designed pressures. Has the pressure been checked?
  - c) Has the equipment been improperly operated?
  - d) Cylinder barrel issues that would cause damage to piston seals: dents, bent, wear marks, bulging.
  - e) To check for leakage past the piston: (only on demounted cylinders)
    - Pressurize one end of the cylinder.
    - Allow the cylinder to travel the length of the stroke, fully extended and retracted (to a relaxed position).
    - Remove pressure.
    - Disconnect the fluid line at the opposite port. Caution: Only if cylinder is NOT holding any loads.
    - Re-pressurize the side still connected to the cylinder.
    - Check for fluid leakage past the piston. A typical double acting rod cylinder should have leakage of less than 1/2-cup per minute and a typical double acting telescopic cylinder equipped with cast iron



## ***Recommended Cylinder Replacement & Maintenance Practices***

---

rings should have leakage of less than 1/2-1 gallon per minute.

- f) Is unit operating at high oil temperatures?
- 9. Is there any obvious external operational damage to case or rod?
  - Rod bent, dented, scratched, etc.
  - Non-uniform scratches along length of rod that may indicate side loading.
  - Cylinder barrel issues: dents, bent, wear marks, bulging.
- 10. Are there any cylinder mount issues?
  - Bearings broken/galled/uneven wear.
  - Cylinder Pins: Bent/uneven wear.
  - Improper maintenance (mounting pin seizing due to corrosion - can break weld or mount).
  - Pin mount structural damage: pin hole damaged, worn, torn out, elongated, bearing cracked....

### **B. CYLINDER REPLACEMENT GUIDELINES:**

1. Use the appropriate moving/lifting device when mounting or moving the cylinder. Improper lifting and/or moving may result in injury to person or damage to cylinder.
2. Inspect replacement cylinders for any damage that may have occurred during shipping. (Examples of damage are bent rods, dented casings, bearing broken or missing, ports bent or caps missing, etc.)
3. Determine that the problem that caused the original cylinder to fail has been corrected.
4. If internal damage has been detected or if water is present in the oil, the hydraulic fluid is contaminated.

**It is very important that the entire hydraulic system be flushed and all filters be changed.**

If the hydraulic system is not cleaned, the replacement cylinder will be contaminated causing premature failure of that cylinder, along with other components of the hydraulic system. Filter cart flushing may be substituted.

Alternative to full unit flushing is to use hydraulic filter buggy and flush the system. If cylinders are being replaced because of catastrophic hydraulic failures, complete fluid flush and replacement is recommended. When in doubt, replace all fluids and filters.

- a) Retract all cylinders and drain tank.
- b) Thoroughly flush hydraulic tank and wipe clean with clean, lint-free cloths.
- c) Install new pressure and return filter elements. If unit does not have filtration, contact your equipment supplier for recommendations.
- d) Fill the tank with new oil. Consult OEM Operations and Service Manuals for recommended oil. Insure that all cylinders are retracted when filling.
5. Clean all fittings, hydraulic lines and connections to ensure no debris or contamination is present. Debris can and will shorten the life of the cylinders and hydraulic system. Remove port plugs only when ready to attach lines or tubes.
  - a) If necessary, flush the hydraulic lines and other components with new oil.
6. Replace the pins, hydraulic lines, and/or fittings if wear or damage is present.
7. INSPECT FOR POSSIBLE SIDE LOADING CONDITIONS.
  - a) Proper alignment of the cylinder rod, barrel and their respective mounts should be checked in both the retracted and extended positions.
  - b) Pins should pass freely through both the cylinder and body mounts. Replace worn pins and repair damaged or out-of-round body mounts.
  - c) Improper alignment will result in excessive rod, head gland nut, barrel and/or piston wear.
  - d) Insure rod end bushings are lubricated and moving freely, this will help to prevent side loading.
  - e) DO NOT operate a packer / ejector cylinder with a misaligned packing panel or ejector. If the packer / ejector is bent, damaged, or if the panel slide shoes or guide track assembly are worn out, it will cause excessive side loading to the cylinder.
8. If painting is required, insure that the rod is completely covered and no paint adheres to the rod. Paint on the cylinder rod will enter the seal area and damage the seal.
9. If any welding has to be performed to the cylinder (i.e.- installing a control tab to a mounting end) the welding ground should be attached to the mounting surface of the cylinder. Grounding to the body and welding to the cylinder can cause an arc between the piston and barrel, destroying seals and causing arc damage to sleeve surfaces.

## ***Recommended Cylinder Replacement & Maintenance Practices***

---

10. Check that operating pressures/settings are to the OEM specification.
  - a) Make adjustments with the hydraulic oil at normal operating temperatures.
  - b) DO NOT operate a cylinder at a pressure above factory recommended operating pressures.
  - c) If in doubt, back the setting off, check the pressure, and readjust.
  - d) Cycle the cylinder a number of times to remove any entrapped air.
  - e) Set all functions, flows, speeds and interlocks per OEM recommendations.

### **C. STORAGE:**

1. For best storage life, hydraulic cylinders should be stored in a location that is protected from undue temperature, humidity and moisture extremes (condensation build up within the cylinder will cause oxidation and corrosion damage to sealing surfaces).
2. Insure that all ports are plugged. Do not over tighten.
3. To prevent rusting of chrome surfaces, store cylinders w/ rods and stages fully retracted. Any exposed surfaces should be coated with a film of grease or oil.
4. If rust is present, sand surfaces with a 320 or 400 grit paper around the circumference of the chrome surface. If, after sanding, the surface still shows rust damage, call cylinder OEM for instructions.
5. To prevent the rod seals from becoming dried out, store cylinders in a vertical position with the rod eye down. If horizontal storage is a necessity, rotate the cylinder every few months to allow residual oil to keep the internal components wetted.

### **D. PRACTICES FOR LONG CYLINDER LIFE:**

1. Insure that operators are trained and understand the capabilities and limitations of the vehicle.
2. Conduct proper operation and maintenance practices.
  - a) Replace the hydraulic oil and filter at regular intervals.
  - b) Check the temperature of the hydraulic oil regularly to insure it is maintaining the optimum operating temperature recommended by the manufacturer.
  - c) Lubricate the bushings and grease points regularly. If a bearing wears out and damages the bearing housing, the entire cylinder may require replacement.
3. Protect the cylinder from debris and external damage during operation and cleaning operations.

***A cylinder living in refuse will become refuse.***

  - a) Keep the area behind the ejector, in and around all cylinders, pins and fittings clear of debris.
  - b) Keep the cylinder rod free from debris when cleaning by covering the cylinder rod or retracting the cylinder fully before cleaning.
  - c) Use plastic tools (i.e. shovels) when removing debris from body. Metal tools will nick and damage the cylinder rods.
  - d) Cover the cylinder rod and case with a fire proof blanket when welding or grinding near the cylinder and exposed rod. If practical, remove cylinder from area under repair.
4. Insure that the cylinder is operating in its natural center-line (NO SIDE LOADING).
  - a) Perform regular inspections and maintenance of all moving components being powered by hydraulic cylinders (i.e. - packer wear shoes, arm torque bearings, etc.).
5. Perform regular inspection to insure the rod, seals, cylinder ports, hoses, and grease/ hydraulic fittings are in good operating condition.
6. When working with or changing cylinders it is important to check the condition of cylinder hydraulic hoses.
  - a) Hoses experience numerous cycles each day in very contaminated areas.
  - b) Hoses should be inspected and replaced as inspection dictates. When in doubt, replace the hose.
7. DO NOT repair damaged or broken cylinder casing or ports.
  - a) If a problem arises the cylinder should not be repaired, but replaced with a new or remanufactured OEM cylinder that meets OEM specifications.
  - b) Welding changes the characteristics of metal on cylinders and may lead to future cylinder failures and may void warranty consideration.
8. A double acting telescopic cylinder should be fully retracted when not in use (i.e. - eject cylinders).
  - a) Severe side loading may occur due to road vibration.
  - b) Cylinders stages may drift due to road vibration. Extending the cylinder before fully retracting may cause misstaging that over pressurizes and damages the cylinder.

# Hydraulic Cylinder Troubleshooting Table

	- Something external hitting surface.	- Side Loading (improper mounting or operation alignment)**	- Fluid Contamination *	- Something external hitting / rubbing surface.	- Attaching welding grd. to cyl. or accidentally hitting cyl. w/welder.	- Exposing to something corrosive or using an acid base cleaner.	- Operating at higher than designed pressures (SEE EXAMPLES).	- Obstruction of normal operation.	- Improper equipment operation (SEE EXAMPLES).	- Not properly cleaning or allowing to operate in refuse.	- Defective Material.	- Welding problem during mfg. (typically will fail in 1st month)	- Improper op./maint. (not properly lubricating pins).	- Check compatibility of hydraulic fluid.	- Check exposure to external heat.	- Check system operating temperature.
<b>Rod Stage(s)</b>																
Nicks/gouges	X															
Scratches/uneven wear		X	X	X												
Marks from arc welding					X											
Acid damage						X										
Bent		X					X	X	X							
Pitting/flaking chrome						X			X	X						
Bulging a telescopic stage							X		X							
<b>Case Issues</b>																
Dents				X												
Bent		X					X	X	X							
Wear marks		X		X												
Weld cracks/failure		X					X	X	X			X				
Bulging							X		X							
<b>Mounts</b>																
Bearings broken/uneven wear		X					X	X	X				X			
Bent/uneven wear		X					X	X	X							
Weld cracks/failure		X					X	X	X			X				
Improper maintenance (mounting pin seizing due to corrosion - can break weld or mount)													X			
<b>Internal Damage (By-Pass)</b>		X	X				X		X							
<b>Seals</b>																
Soft or gummy														X		
Hard, cracked, or no elasticity														X	X	X
Split or rolled							X		X							

\* Factory fluid contamination will typically be found in the first month of service.

\*\* Evidence of unusual wear or rubbing at mounting or along cylinder barrel would be good indication of side loading.

### Examples of Situations that Cause Operation at Higher than Designed Pressures:

1. Improper system setting.
2. Faulty system components.
3. Improper system plumbing/design (mainly an obstruction of the fluid exiting the cylinder).
4. Improper equipment operation

### Examples of Improper Equipment Operation

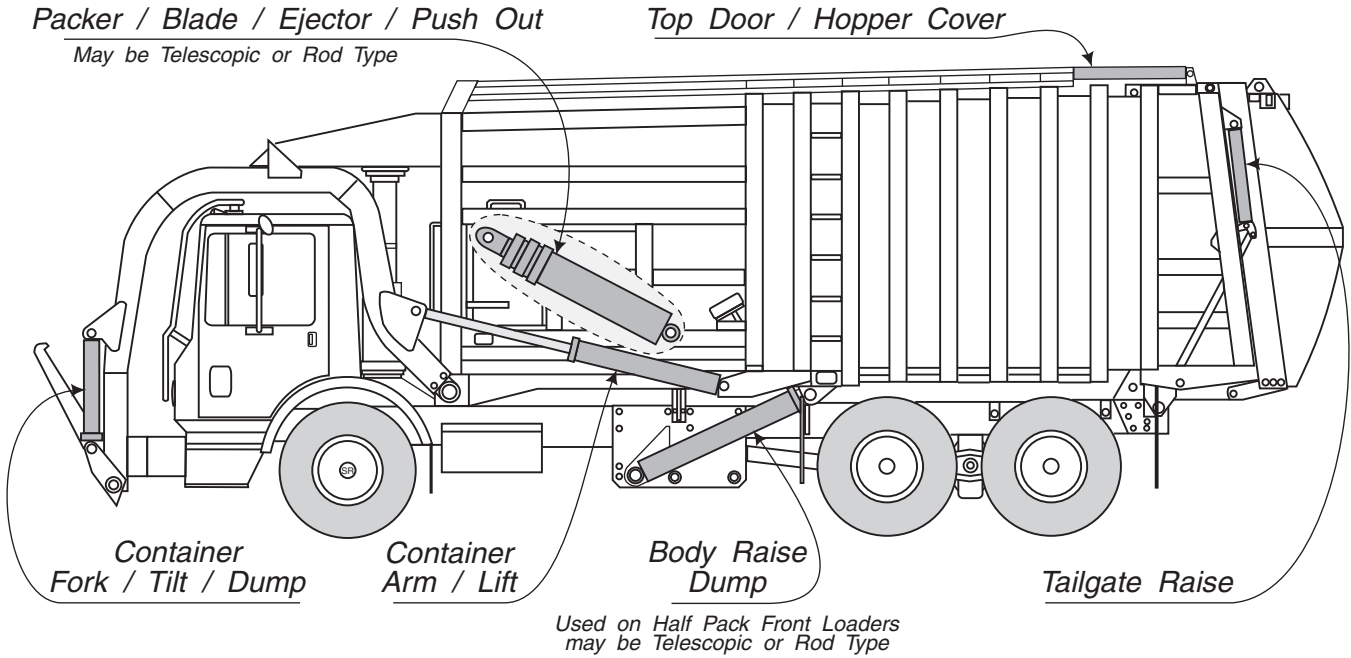
The following lists some of the ways equipment is used improperly. Any of these can cause cylinder failure that would also jeopardize the warranty.

1. Back packing.
2. Operating cylinder over maximum recommended pressure or flow (speed).
3. Off side load (not evenly distributing the load in the bed).
4. Unloading when the vehicle is not on level ground.
5. Trying to break loose a sticking load by jerking or "sling-shotting" the vehicle.
6. Stopping suddenly while dropping a loaded box.
7. Moving vehicle with lift cylinders extended.
8. Not properly cleaning and allowing cylinder to operate in refuse (rod damage and/ side loading).
9. Rapid shifting of directional valve to shake load.
10. Traveling with ejector blade not in retracted position.
11. Not following maintenance instructions.

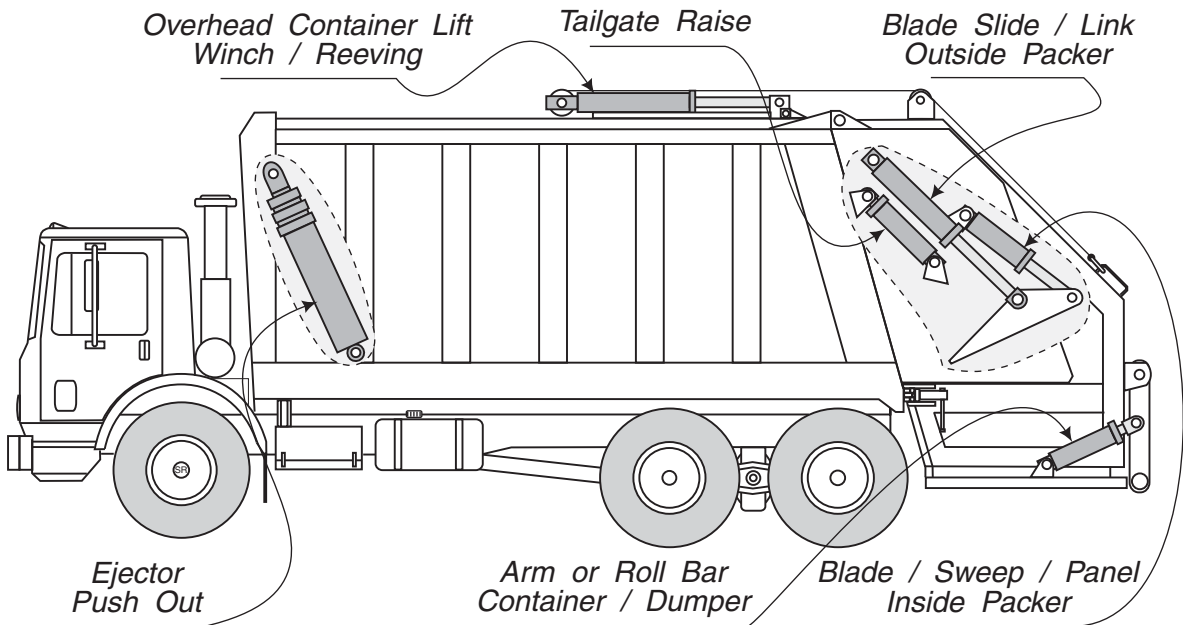
### Examples of Side Loading

1. Garbage packed up around/under cylinder.
2. Broken bearings.
3. Mis-aligned mounting.

**Front Loader Refuse Bodies**

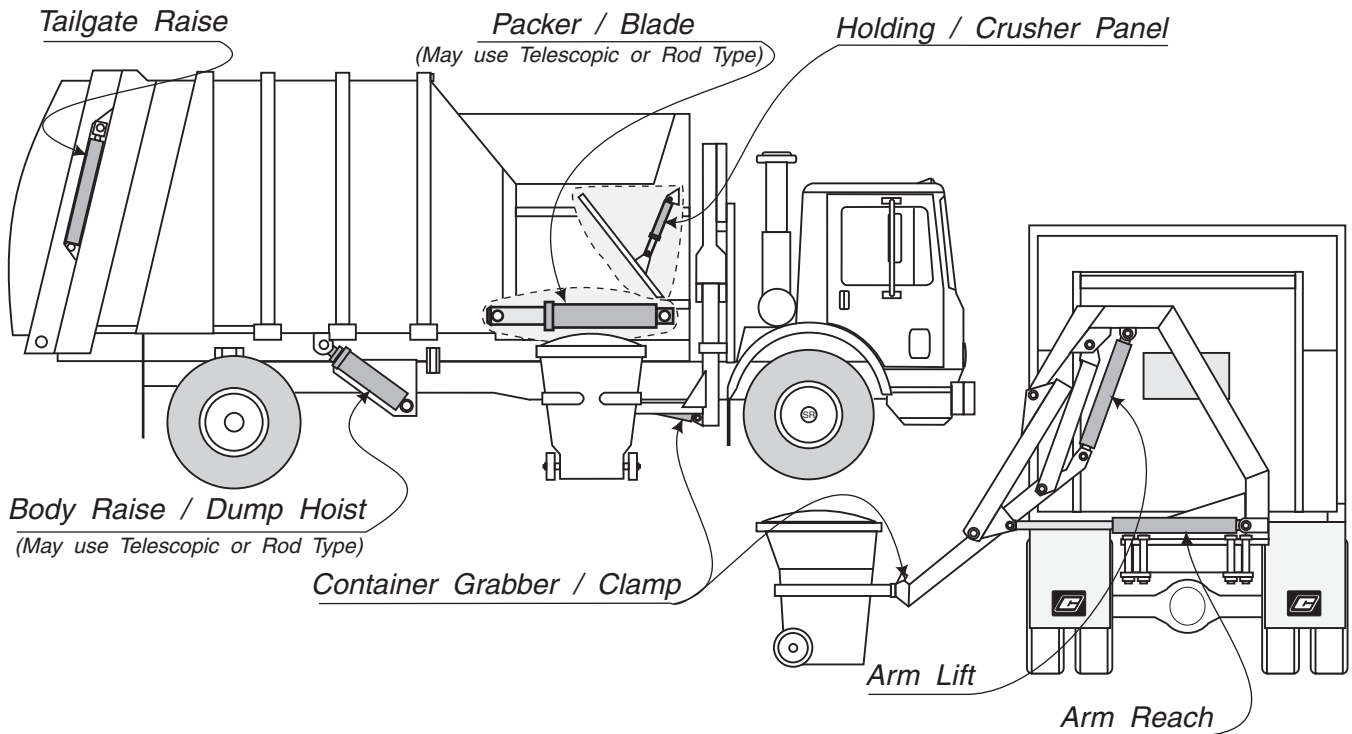


**Rear Loader Refuse Bodies**

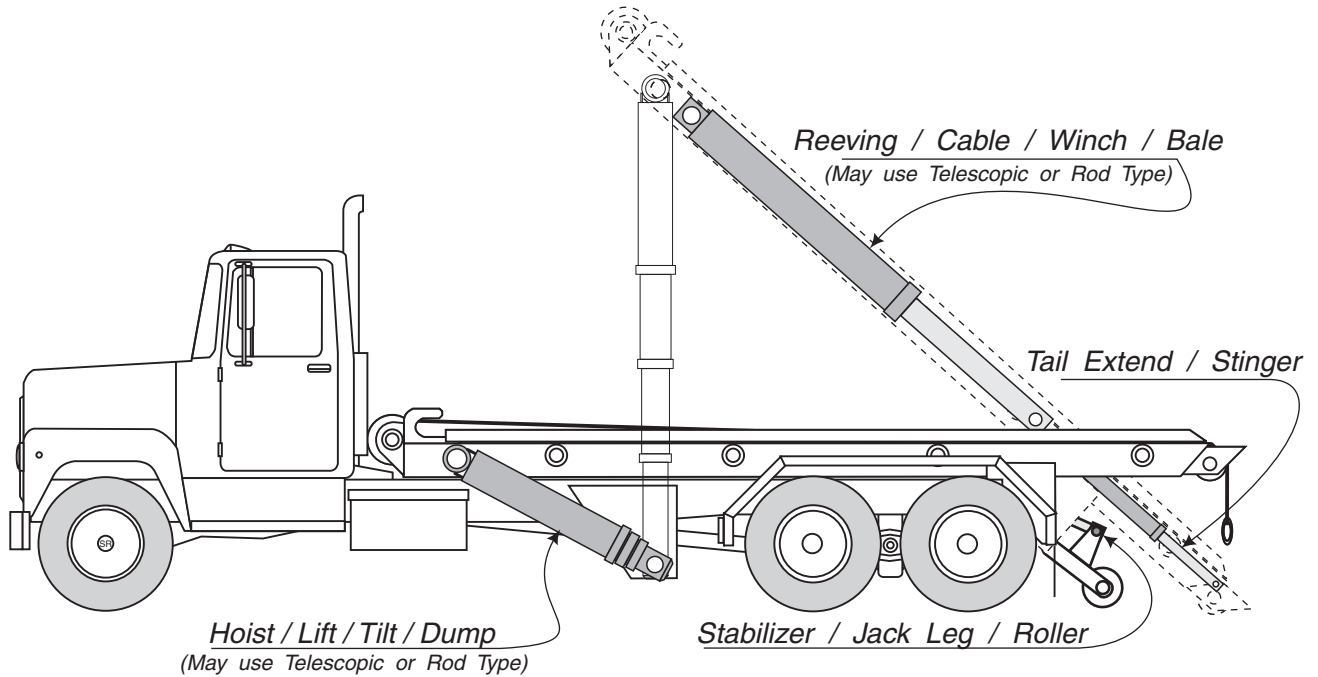


Crossover and Application Data is for Reference Only.  
 No Other Conditions are Expressed or Implied.

**Side Loader Refuse Bodies**

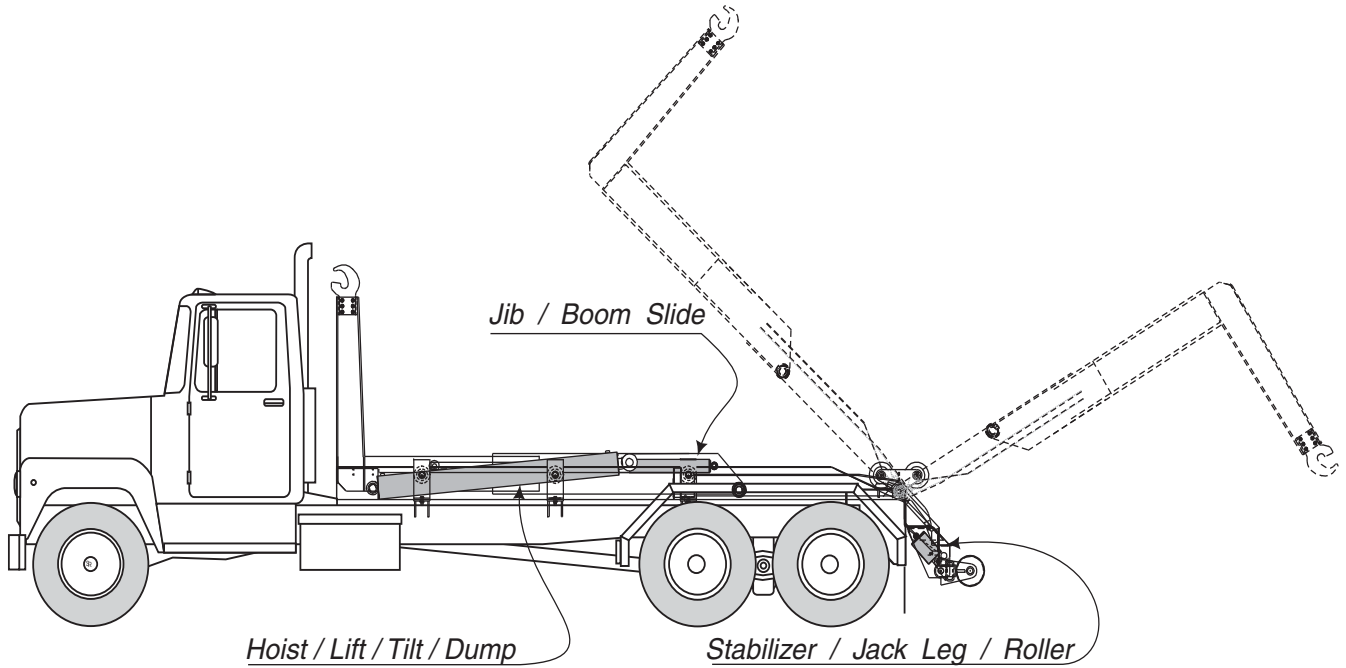


**Roll-Off & Tilt Frame Hoists**

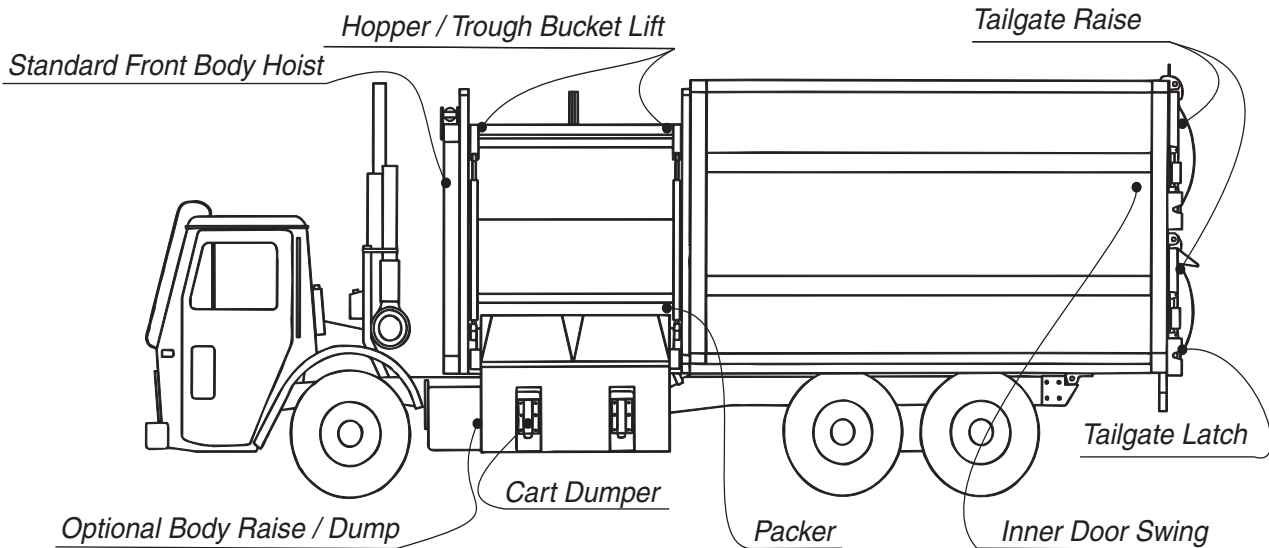


Crossover and Application Data is for Reference Only.  
No Other Conditions are Expressed or Implied.

### **Hook Lift Roll-Off Hoists**

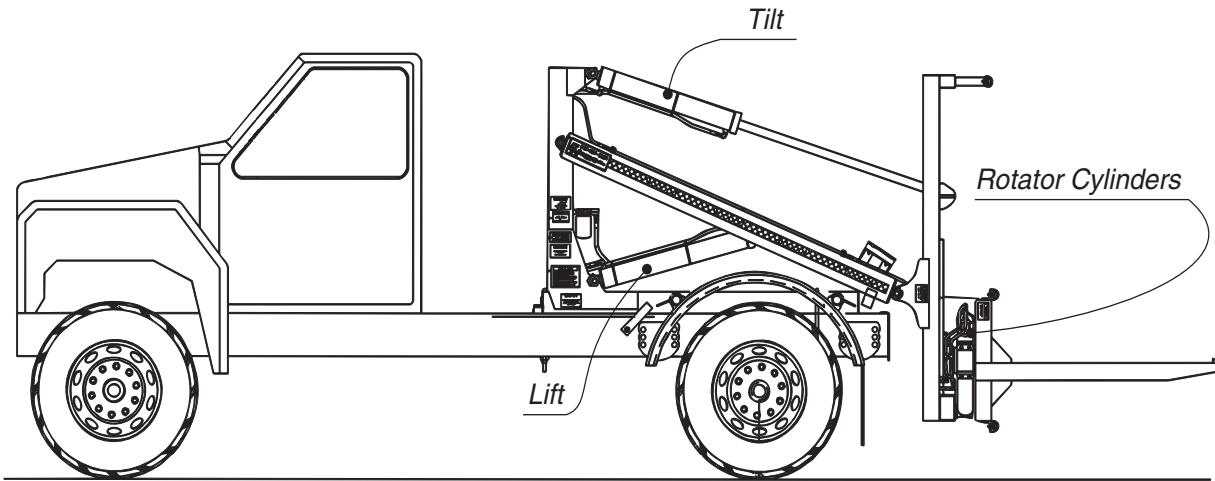


### **Recycling Body**

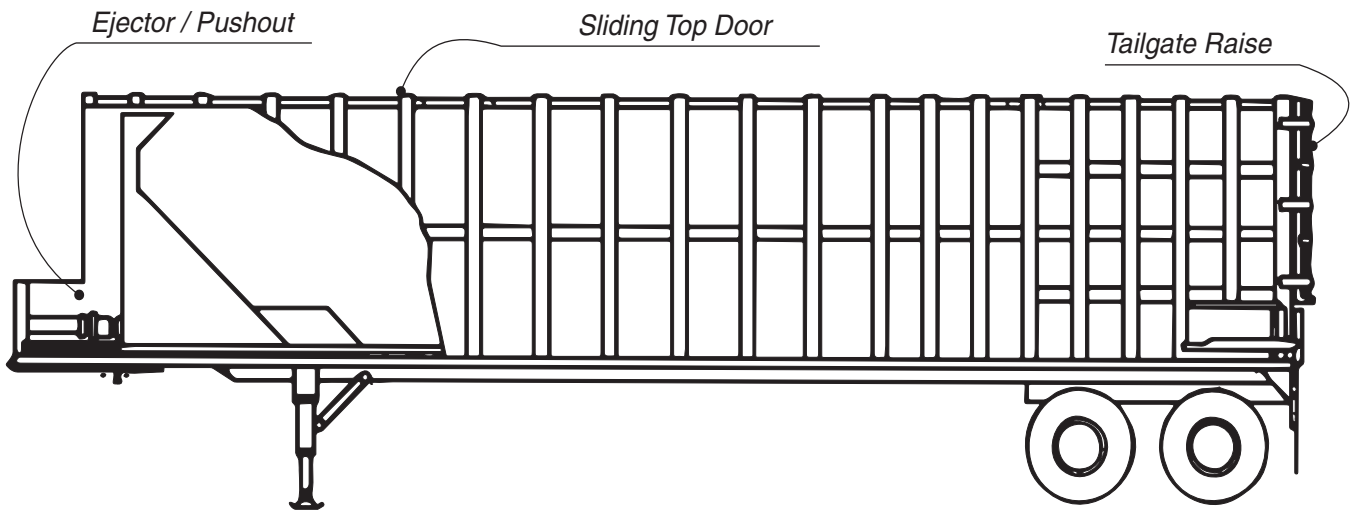


Crossover and Application Data is for Reference Only.  
No Other Conditions are Expressed or Implied.

### **Container Carrier**



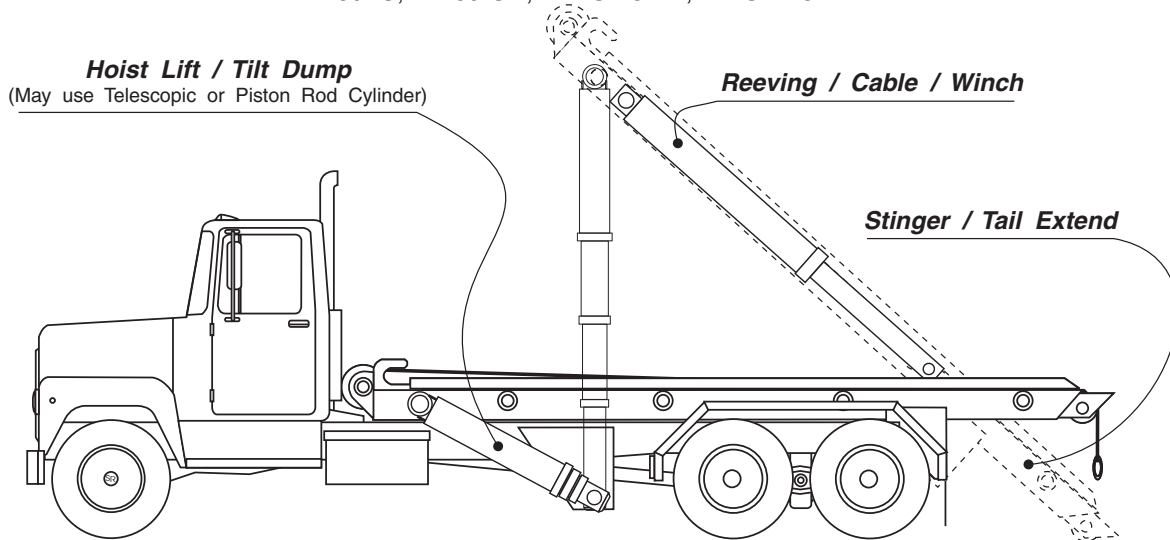
### **Transfer Trailer**



Crossover and Application Data is for Reference Only.  
No Other Conditions are Expressed or Implied.

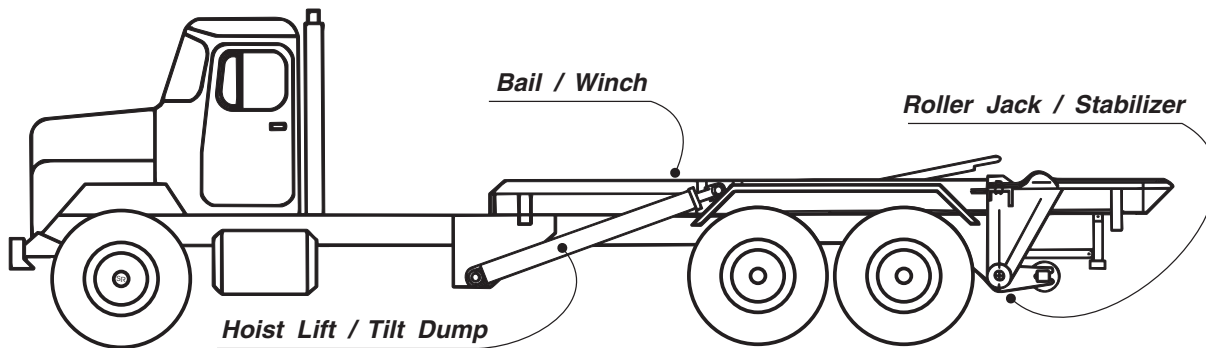
**Accurate Industries IO, OR & IR Roll-Off**

AH-60-IO, AH-60-OR, AH-IO-75-EX, AH-OR-75-EX



<u>Cylinder Function</u>	<u>Parker Eng#</u>	<u>Parker Number</u>	<u>Bore</u>	<u>Rod</u>	<u>Stroke</u>
Reeving / Cable / Winch; 60,000# OEM Ref P.N.'s; HH-1, HP-HH001	D62LB-5-80	3771421180	6.25	4.75	80.00
Reeving / Cable / Winch; 75,000# OEM Ref P.N.'s; MF-51, HH-2, HP-HH002	D72LB-9-80	3772521122	7.25	4.75	80.00
Hoist Lift / Tilt Dump; 60,000# OEM Ref P.N.'s; HH-1, HP-HH001	D62LB-5-80	3771421180	6.25	4.75	80.00
Hoist Lift / Tilt Dump; 75,000# OEM Ref P.N.'s; MF-51, HH-2, HP-HH002	D72LB-9-80	3772521122	7.25	4.75	80.00
Hoist Lift / Tilt Dump; Telescopic OEM Ref P.N.'s; HP-HH004, HP-HH011, HP-HH012	SD73DB-5-120	3772533049	Telescopic		120.00
Stinger Tail Extend OEM Ref P.N.'s; HP-HH003	N/A		3.50		80.00

**Accurate Industries AH-AB-60 Bail Hook Roll-Off**



<u>Cylinder Function</u>	<u>Parker Eng#</u>	<u>Parker Number</u>	<u>Bore</u>	<u>Rod</u>	<u>Stroke</u>
Bail / Winch OEM Ref P.N.'s; A-17	D72CC-48-85	3772521066	7.25	3.00	85.00
Hoist Lift / Tilt Dump OEM Ref P.N.'s; A-18	D62CC-36-68	3770921069	6.25	3.00	68.50
Roller Jack / Stabilizer OEM Ref P.N.'s; A-19, HP-HH007	D52CB-31-6	3771521140	5.25	2.50	6.88

CROSSOVER AND APPLICATION DATA IS FOR REFERENCE ONLY.  
NO OTHER CONDITIONS ARE EXPRESSED OR IMPLIED.

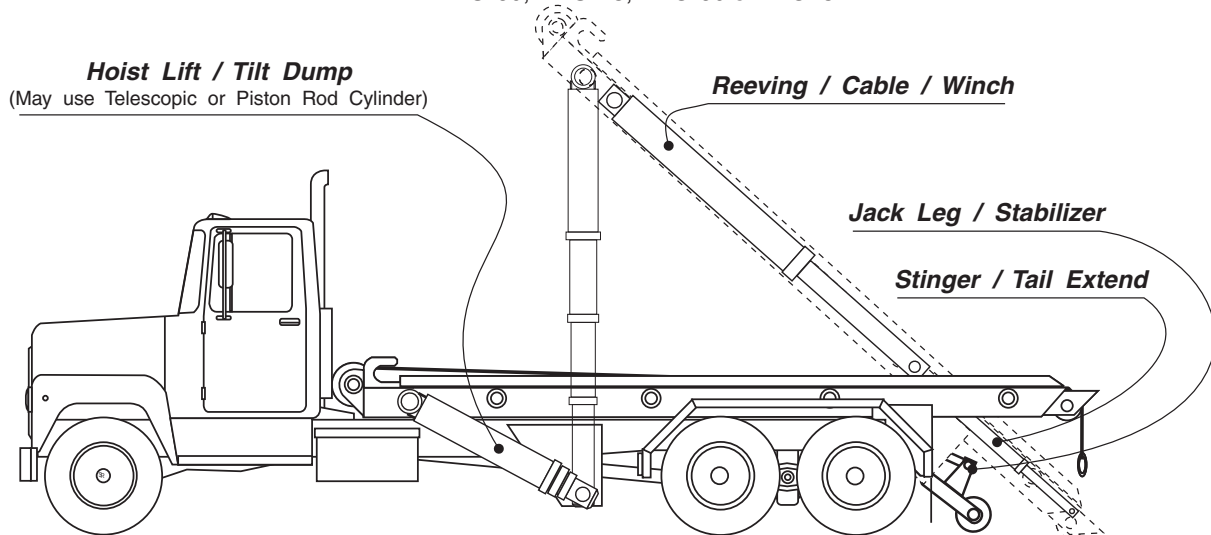


## Accurate Industries

<b>Compactor</b>						
<u>OEM Ref P.N.</u>	<u>Cylinder Function</u>	<u>Parker Eng#</u>	<u>Parker Number</u>	<u>Bore</u>	<u>Rod</u>	<u>Stroke</u>
	Packer	SD62MC-10-46	3771432039		Telescopic	46.00
<b>Roll-Offs</b>						
<u>OEM Ref P.N.</u>	<u>Cylinder Function</u>	<u>Parker Eng#</u>	<u>Parker Number</u>	<u>Bore</u>	<u>Rod</u>	<u>Stroke</u>
A-17	Bale	D72CC-48-85	3772521066	7.25	3.00	85.00
A-18	Hoist Lift	D62CC-36-68	3770921069	6.25	3.00	68.50
A-19	Stabilizer Jackleg	D52CB-31-6	3771521140	5.25	2.50	6.88
HP-HH001	Hoist Lift & Cable Reeving	D62LB-5-80	3771421180	6.25	4.75	80.00
HP-HH002	Hoist Lift & Cable Reeving	D72LB-9-80	3772521122	7.25	4.75	80.00
HP-HH004	Hoist Lift	SD73DB-5-120	3772533049		Telescopic	120.00
HP-HH006	Cable Reeving	D72LB-7-115	3772521100	7.25	3.00	115.00
HP-HH007	Stabilizer Jackleg	D52CB-31-6	3771521140	5.25	2.50	6.88
HP-HH008	Hoist Lift & Cable Reeving	D62DB-8-79	3771421105	6.25	4.75	79.25
HP-HH011	Hoist Lift	SD73DB-5-120	3772533049		Telescopic	120.00
HP-HH012	Hoist Lift	SD73DB-5-120	3772533049		Telescopic	120.00
MF-51	Hoist Lift & Cable Reeving	D72LB-9-80	3772521122	7.25	4.75	80.00
MF-51-N	Hoist Lift & Cable Reeving	D62DB-8-79	3771421105	6.25	4.75	79.25
<b>Transfer Station Compactor</b>						
<u>OEM Ref P.N.</u>	<u>Cylinder Function</u>	<u>Parker Eng#</u>	<u>Parker Number</u>	<u>Bore</u>	<u>Rod</u>	<u>Stroke</u>
	Packer; 1250XHD	D100DB-1-141	3773121024	9.88	7.90	141.00
	Packer	D100DB-1-225	3773121038	9.88	7.90	225.00
	Packer	D120DB-1-250	3776421026	12.00	7.90	250.00
<b>Transfer Trailer</b>						
<u>OEM Ref P.N.</u>	<u>Cylinder Function</u>	<u>Parker Eng#</u>	<u>Parker Number</u>	<u>Bore</u>	<u>Rod</u>	<u>Stroke</u>
	Ejector / Push Out	SD85DC-2-380	3772935014		Telescopic	360.00
	Ejector / Push Out	SD85DC-2-440	3772935021		Telescopic	440.00
	Ejector / Push Out	SD85DC-2-460	3772935015		Telescopic	460.00

**Automated Waste / American Roll-Off**

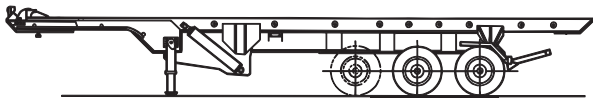
ARO-60, ARO-75, ARU-60 & ARU75



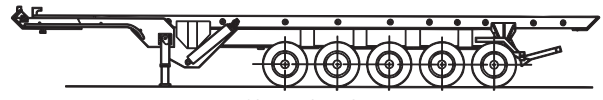
<u>Cylinder Function</u>	<u>Parker Eng#</u>	<u>Parker Number</u>	<u>Bore</u>	<u>Rod</u>	<u>Stroke</u>
Reeving / Cable / Winch; 50,000# OEM Ref P.N.'s; B611	D62CB-18-78	3771421098	6.25	4.75	78.00
Reeving / Cable / Winch; 60,000# Pre 92 OEM Ref P.N.'s; 110-450	D62CB-20-80.88	3771421226	6.25	4.75	80.88
Reeving / Cable / Winch; 60,000# 92 & Newer OEM Ref P.N.'s; 110-460	D62CC-58-80.88	3771421227	6.25	4.75	80.88
Reeving / Cable / Winch; 75,000# Pre 92 OEM Ref P.N.'s; 110-500	D72CB-14-83.62	3772521135	7.25	4.75	83.62
Reeving / Cable / Winch; 75,000# 92 & Newer OEM Ref P.N.'s; 110-510	D72CC-53-80.88	3772521134	7.25	4.75	80.88
Hoist Lift / Tilt Dump; 50,000# OEM Ref P.N.'s; B611	D62CB-18-78	3771421098	6.25	4.75	78.00
Hoist Lift / Tilt Dump; 60,000# Pre 92 OEM Ref P.N.'s; 110-450	D62CB-20-80.88	3771421226	6.25	4.75	80.88
Hoist Lift / Tilt Dump; 60,000# 92 & Newer OEM Ref P.N.'s; 110-460	D62CC-58-80.88	3771421227	6.25	4.75	80.88
Hoist Lift / Tilt Dump; 75,000# Pre 92 OEM Ref P.N.'s; 110-500	D72CB-14-83.62	3772521135	7.25	4.75	83.62
Hoist Lift / Tilt Dump; 75,000# 92 & Newer OEM Ref P.N.'s; 110-510	D72CC-53-80.88	3772521134	7.25	4.75	80.88
Hoist Lift / Tilt Dump; Telescopic OEM Ref P.N.'s; 110-100	SD63CC-46-91.75	3771433926	Telescopic		92.00
Hoist Lift / Tilt Dump; Telescopic OEM Ref P.N.'s; 110-200, 110-300, B532C	SD63CC-46-109.75	3771433927	Telescopic		110.00
Stinger / Tail Extend OEM Ref P.N.'s; 110-870	D35LC-1-60	3770621037	3.50	2.00	60.00
Stinger / Tail Extend OEM Ref P.N.'s; 110-800	D35LC-1-80	3770621038	3.50	2.00	80.00
Jack Leg / Stabilizer OEM Ref P.N.'s; 110-600	N/A		5.50	2.00	8.00

CROSSOVER AND APPLICATION DATA IS FOR REFERENCE ONLY.  
NO OTHER CONDITIONS ARE EXPRESSED OR IMPLIED.

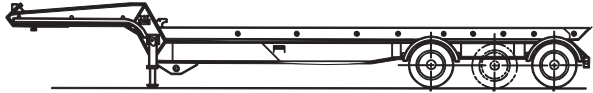
**Benlee Roll-Off Trailers**



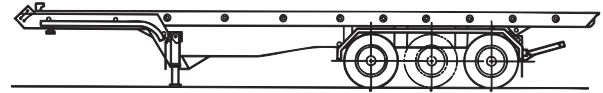
CONVENTIONAL STANDARD TRAILER  
TA60TC34, TA60TC37, TA60TC40, TA60TC44, TRA60TC34, TRA60TC37, TRA60TC40, 4A60TC37



MULTI-AXLE CONVENTIONAL STANDARD TRAILER  
5A60TC42, 5A60TC43, 5A60TC46, 6A60TC43, 6A60TC47, 7A60TC47



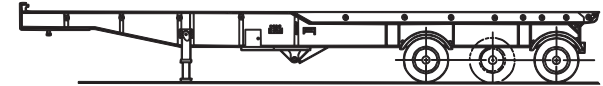
DROP DECK STANDARD TRAILER  
TA60DD41, TA60DD43, TA60DD45, TA60DD45, TRA60DD38, TRA60DD42, TRA60DD45



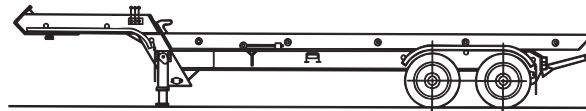
LIGHTWEIGHT CONVENTIONAL TRAILER  
TALWC45, TRALWC42



TWO BOX STANDARD TRAILER  
TATBF48



TWO BOX STANDARD TRAILER  
TATBFS48

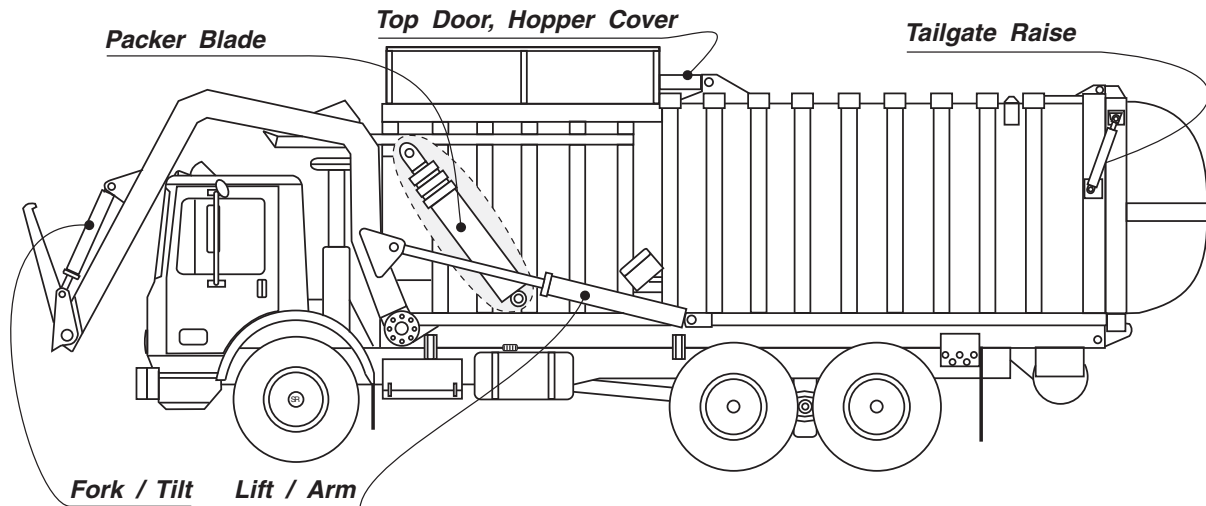


MINI STANDARD TRAILER  
TADDM32

<u>Cylinder Function</u>	<u>Parker Eng#</u>	<u>Parker Number</u>	<u>Bore</u>	<u>Rod</u>	<u>Stroke</u>
Reeving / Cable / Winch OEM Ref P.N.'s;	D60CC-27-78	3771421157	6.00	4.50	78.00
Reeving / Cable / Winch OEM Ref P.N.'s;	D70CC-8-108	3773721018	7.00	5.50	108.00
Reeving / Cable / Winch OEM Ref P.N.'s	D70CC-8-131	3773721012	7.00	5.50	131.00
Reeving / Cable / Winch OEM Ref P.N.'s	D70CC-9-152	3773721014	7.00	5.50	152.00
Reeving / Cable / Winch OEM Ref P.N.'s	D70CC-9-165	3773721015	7.00	5.50	165.00
Reeving / Cable / Winch; Telescopic OEM Ref P.N.'s	SD83CC-29-120	3772833014	Telescopic		120.00
Reeving / Cable / Winch; Telescopic OEM Ref P.N.'s	SD83CC-29-165	3772833013	Telescopic		165.00
Hoist Lift / Tilt Dump; Telescopic OEM Ref P.N.'s	SD63DB-14-120	3771433104	Telescopic		120.00
Hoist Lift / Tilt Dump; Telescopic OEM Ref P.N.'s	SD74DB-6-144	3772534037	Telescopic		144.00
Hoist Lift / Tilt Dump; Telescopic OEM Ref P.N.'s	SD84DD-2-168	3772934039	Telescopic		168.00
Hoist Lift / Tilt Dump; Telescopic OEM Ref P.N.'s	SD85DB-5-220	3773035034	Telescopic		220.00
Hoist Lift / Tilt Dump; Telescopic OEM Ref P.N.'s	SD95DD-1-174	3773135020	Telescopic		174.00
Hoist Lift / Tilt Dump; Telescopic OEM Ref P.N.'s	SD95DD-1-220	3773135019	Telescopic		220.00

CROSSOVER AND APPLICATION DATA IS FOR REFERENCE ONLY.  
NO OTHER CONDITIONS ARE EXPRESSED OR IMPLIED.

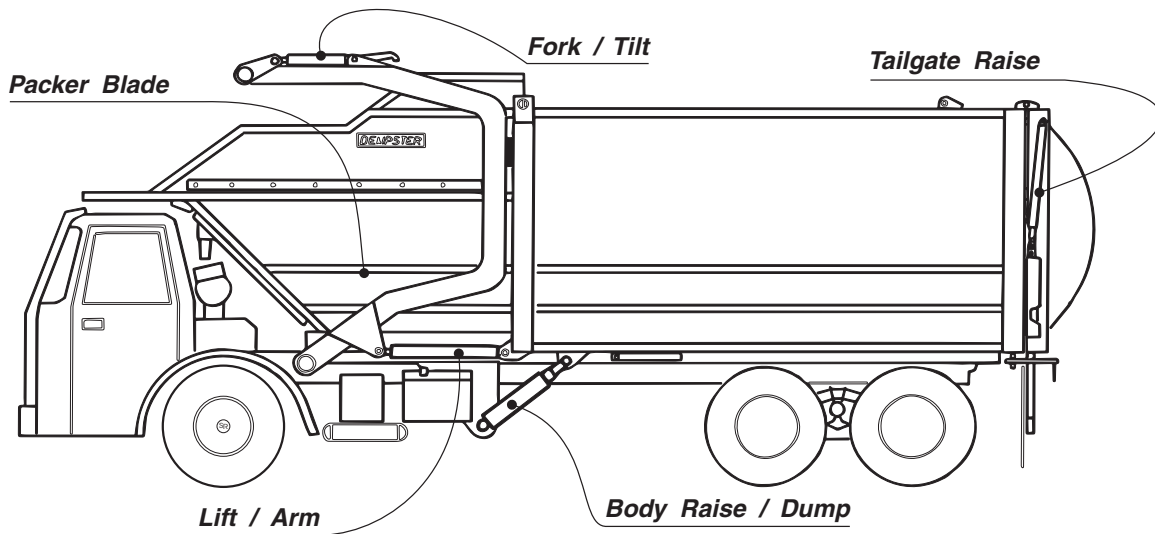
**Dempster DP80 & XHD Front Loader**



<u>Cylinder Function</u>	<u>Parker Eng#</u>	<u>Parker Number</u>	<u>Bore</u>	<u>Rod</u>	<u>Stroke</u>
Arm / Lift OEM Ref P.N.'s; BB8000, BB8185, BB8374-1, AB19775TH, AB19890TH	D3812	3790003812	5.00	2.50	46.80
Arm / Lift, XHDII OEM Ref P.N.'s; AB28802	N/A		5.00	2.50	46.88
Fork / Tilt OEM Ref P.N.'s; BB8004, BB8169, BB8748-1, AB19869TH	D40CD-10-24	3776821072	4.00	2.00	24.00
Top Door, Hinged OEM Ref P.N.'s; BB8010, BB8379-1, AB19774TH, AB19868TH	D40CE-3-24	3776821073	4.00	2.00	24.00
Top Door, Sliding OEM Ref P.N.'s; DB8238	N/A	N/A			
Tailgate Raise OEM Ref P.N.'s; AB12225, AB12265, AB12308, AB13978	D25LL-12-16	3772621129	2.50	1.50	16.00
Tailgate Raise, with E Z Locks OEM Ref P.N.'s; AB28819	N/A		3.00	1.75	37.50
Packer Blade, DP80-25 & 28 YD OEM Ref P.N.'s; CB8245, DB1746, DB1747, DB4752	SD85CC-20-156	3773035033		Telescopic	156.00
Packer Blade, DP80-31, 34, 38 & 41 YD OEM Ref P.N.'s; CB4753, CB7599, CB8217, DB1748, DB4753, DB5801, AB15905	SD96CC-3-199	3773136009		Telescopic	198.00
Packer Blade, XHD-33 & 38 Yd OEM Ref P.N.'s; DB8045, AB19473	SD94CC-9-190	3773134006		Telescopic	190.00

CROSSOVER AND APPLICATION DATA IS FOR REFERENCE ONLY.  
NO OTHER CONDITIONS ARE EXPRESSED OR IMPLIED.

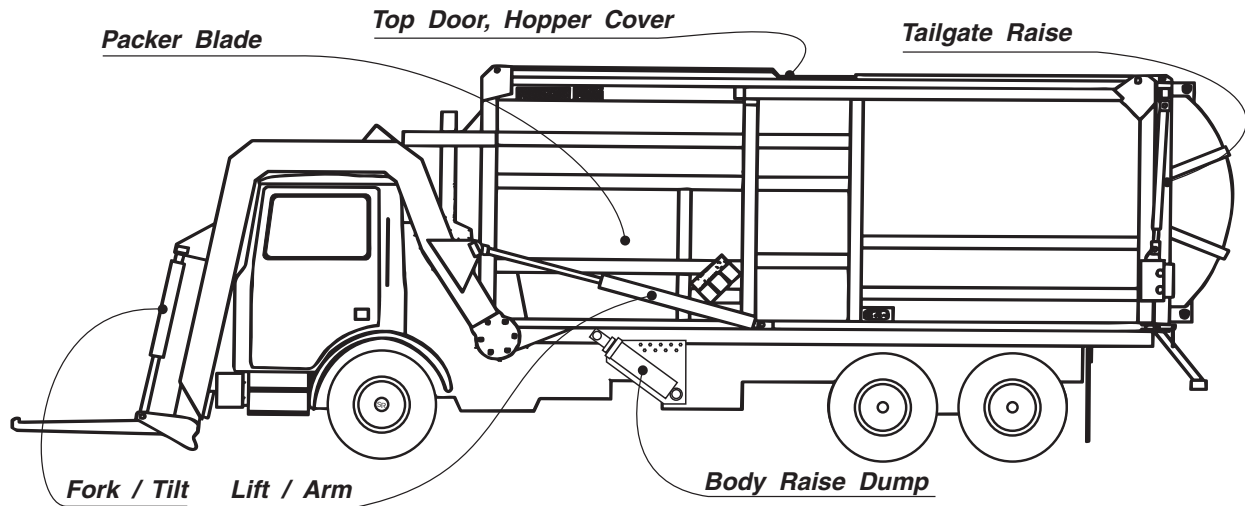
**Dempster RFL Residential Front Loader**



<u>Cylinder Function</u>	<u>Parker Eng#</u>	<u>Parker Number</u>	<u>Bore</u>	<u>Rod</u>	<u>Stroke</u>
Arm / Lift OEM Ref P.N.'s; AB29405, CB11061	D40CC-25-32	3776821088	4.00	2.50	32.00
Fork / Tilt OEM Ref P.N.'s; DB8142, AB29406	D35CD-10-20	3773821065	3.50	1.50	20.00
Tailgate Raise OEM Ref P.N.'s; DB8362, AB29246	D25LL-16-24	3772621136	2.50	1.50	24.00
Packer Blade OEM Ref P.N.'s; CB11062	D45CC-17-45	3774121039	4.50	3.00	45.00
Body Raise / Dump OEM Ref P.N.'s; AB29336	N/A		Telescopic		

CROSSOVER AND APPLICATION DATA IS FOR REFERENCE ONLY.  
NO OTHER CONDITIONS ARE EXPRESSED OR IMPLIED.

**Dempster DM2 Front Loader**

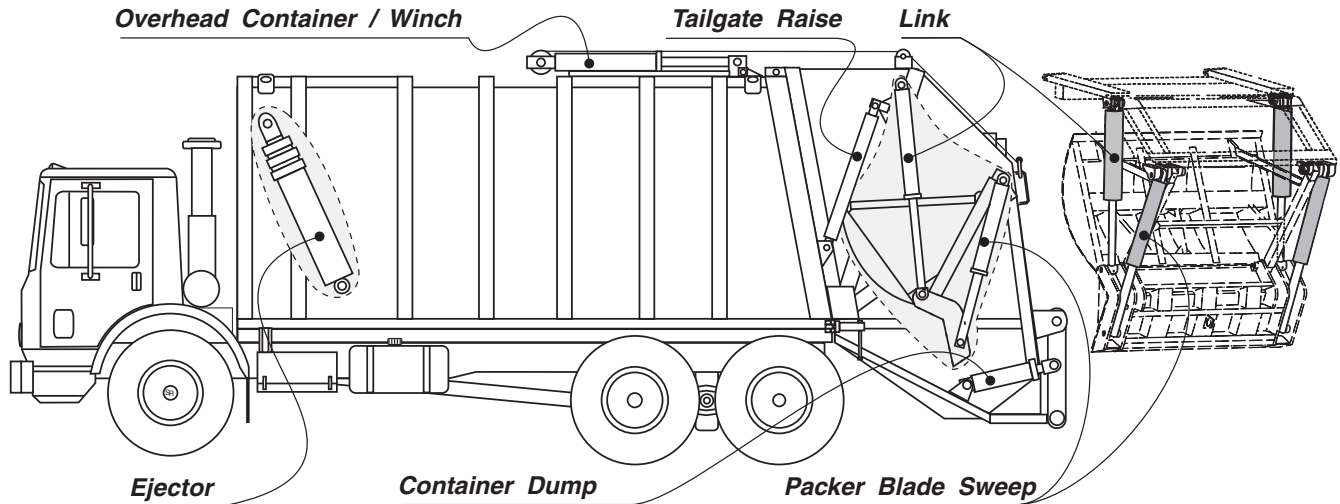


<u>Cylinder Function</u>	<u>Parker Eng#</u>	<u>Parker Number</u>	<u>Bore</u>	<u>Rod</u>	<u>Stroke</u>
Arm / Lift OEM Ref P.N.'s; DB8752, AB29244	D50CC-26-46.88	3777921078	5.00	2.50	46.88
Fork / Tilt OEM Ref P.N.'s; DB8651, AB29247	N/A		4.00	2.00	24.00
Fork / Tilt, with XHD Arms OEM Ref P.N.'s; AB19869TH	D40CD-10-24	3776821072	4.00	2.00	24.00
Top Door, Hinged OEM Ref P.N.'s; AB19774TH	D40CE-3-24	3776821073	4.00	2.00	24.00
Top Door, Sliding OEM Ref P.N.'s; AB28801	N/A	N/A	2.50	1.50	97.50
Tailgate Raise OEM Ref P.N.'s; AB28819	N/A		3.00	1.75	37.50
Packer Blade, Full Eject OEM Ref P.N.'s; DB9361, AB28805	SD63CD-1-177	3771433061	Telescopic		177.63
Packer Blade, Dump Type OEM Ref P.N.'s; AB28803, AB28973	N/A		6.00	4.50	71.50
Body Raise / Dump OEM Ref P.N.'s; AB29336	N/A		Telescopic		
Body Raise / Dump OEM Ref P.N.'s; DB8186	N/A		Telescopic		96.75

CROSSOVER AND APPLICATION DATA IS FOR REFERENCE ONLY.  
NO OTHER CONDITIONS ARE EXPRESSED OR IMPLIED.

# Dempster, Routeking II Rear Loader

## Dempster Routeking II Rear Loader

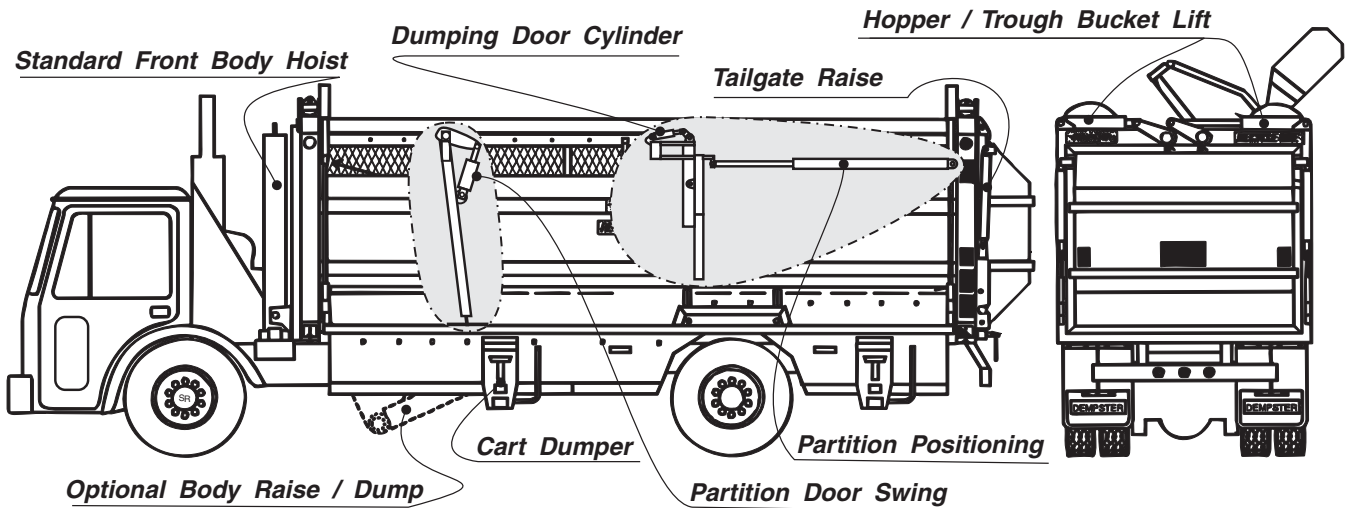


<u>Cylinder Function</u>	<u>Parker Eng#</u>	<u>Parker Number</u>	<u>Bore</u>	<u>Rod</u>	<u>Stroke</u>
Link / Blade OEM Ref P.N.'s; AB19600TH, AB26635TH, BB6997, BB8112, BB8133-1, DB8043	D60CD-5-34	3771421254	6.00	2.50	34.00
Blade / Sweep OEM Ref P.N.'s; AB19601TH, BB6996, BB8134-1, BB8235, DB8042	D50CB-8-27	3777921058	5.00	3.00	27.00
Tailgate Raise, Old Style OEM Ref P.N.'s; AB19602TH, BB6888, BB8281-1	D35CC-18-36.88	3773821055	3.50	2.50	37.00
Tailgate Raise, New Style OEM Ref P.N.'s; DB8044	S35CC-4-37	3776815004	3.50	2.50	37.00
Overhead Container Winch Reeving OEM Ref P.N.'s; BB8206	D60CB-6-56.50	3771421236	6.00	3.00	56.50
Ejector Push Out, 16 Yd OEM Ref P.N.'s; BB6201, CB7772	SD63CC-11-73	3771433025	Telescopic		73.00
Ejector Push Out, 20 Yd OEM Ref P.N.'s; AB17924, BB6087, BB6199, Cb7770	SD63CC-11-96	3771433044	Telescopic		96.00
Ejector Push Out, 25 Yd OEM Ref P.N.'s; AB17564, BB6089, Bb6200, CB7771, DB9350	SD74CC-11-131	3772534032	Telescopic		131.50
Ejector Push Out, 32 Yd OEM Ref P.N.'s; Ab19553, Bb9042,	SD86CC-2-177	3772936004	Telescopic		177.00

CROSSOVER AND APPLICATION DATA IS FOR REFERENCE ONLY.  
NO OTHER CONDITIONS ARE EXPRESSED OR IMPLIED.

# Dempster, Recycle-One Recycling Body

## Dempster Recycle-One Recycling Body RCY ONE and RCY ONE-SYSTEM PLUS



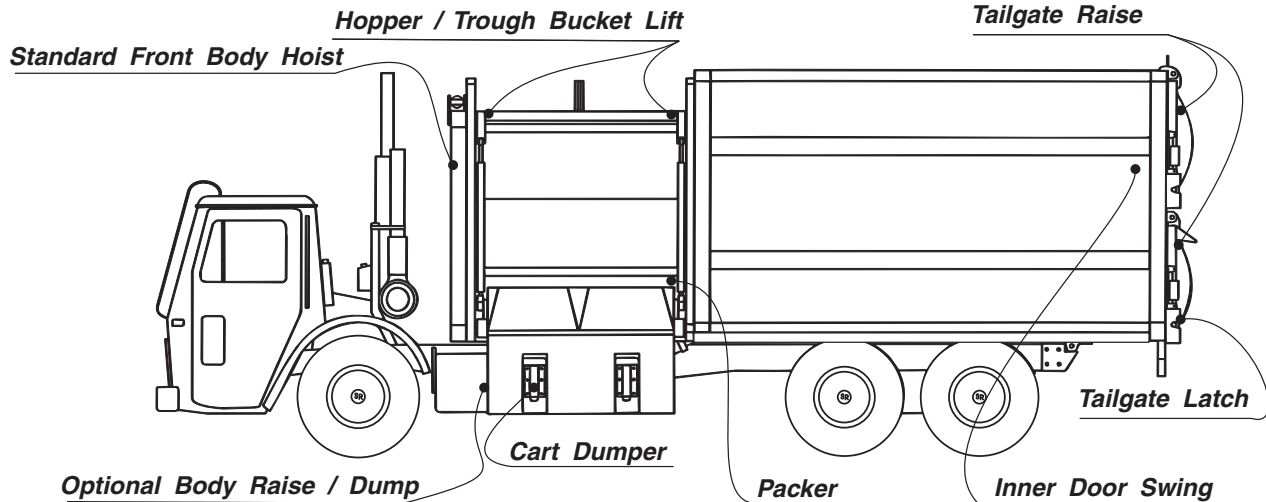
<u>Cylinder Function</u>	<u>Parker Eng#</u>	<u>Parker Number</u>	<u>Bore</u>	<u>Rod</u>	<u>Stroke</u>
Hopper / Trough Bucket Lift, Loading OEM Ref P.N.'s; DB8286	D40DD-16-22.50	3776821069	4.00	2.00	22.50
Partition Positioning, System Plus OEM Ref P.N.'s; AB29967	N/A				
Partition Door Swing, System Plus OEM Ref P.N.'s; AB29908	N/A		Hydraulic		
Partition Door Lock, System Plus OEM Ref P.N.'s; AB27369	N/A		Air Cylinder		
Partition Door Swing OEM Ref P.N.'s; DB8272	N/A		Air Cylinder		
Tailgate Raise, with Barrel Locks OEM Ref P.N.'s; AB12225, AB12265, AB12308, AB13978, AB29253	D25LL-12-16	3772621129	2.50	1.50	16.00
Tailgate Raise, with EZ-Locks OEM Ref P.N.'s; DB8362, AB29246	D25LL-16-24	3772621136	2.50	1.50	24.00
Cart Dumper OEM Ref P.N.'s; AA42109	N/A		Air Cylinder		
Cart Dumper, Cascade Carts OEM Ref P.N.'s; AB16141	N/A		Air Cylinder		
Cart Dumper, Waste Management OEM Ref P.N.'s; AB29003	N/A		Air Cylinder		
Body Raise / Dump, Front Mount OEM Ref P.N.'s; AB29334, DB8273, DB8318	S63MB-14-163.12	3771413254	Telescopic		163.12
Body Raise / Dump, Optional Underbody OEM Ref P.N.'s; DB8186	N/A		Telescopic		96.75

CROSSOVER AND APPLICATION DATA IS FOR REFERENCE ONLY.  
NO OTHER CONDITIONS ARE EXPRESSED OR IMPLIED.



**Dempster, Recycle-Pac Recycling Body**

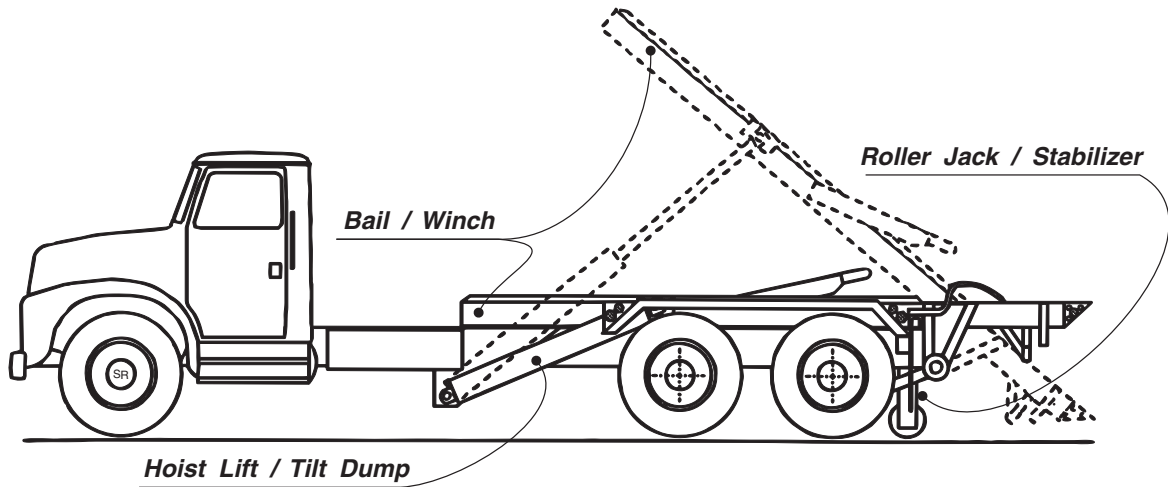
**Dempster Recycle-Pac, Recycling Body**  
RCYC-I, RCYC-II and RCYC-III



<u>Cylinder Function</u>	<u>Parker Eng#</u>	<u>Parker Number</u>	<u>Bore</u>	<u>Rod</u>	<u>Stroke</u>
Hopper / Trough Bucket Lift, RCYC-I, II & III OEM Ref P.N.'s; DB8439, DB9467, AB29337	D40DD-19-22.50	3776821080	4.00	2.00	22.50
Packer, RCYC-I, II & III OEM Ref P.N.'s; DB8491, AB29264	D40DD-17-42	3776821070	4.00	2.50	42.00
Tailgate Raise, RCYC-I Barrel Locks OEM Ref P.N.'s; AB12225, AB12265, AB12308, AB13978, AB29253	D25LL-12-16	3772621129	2.50	1.50	16.00
Tailgate Raise, RCYC-I OEM Ref P.N.'s; DB8362, AB29246	D25LL-16-24	3772621136	2.50	1.50	24.00
Tailgate Inner Door Swing, RCYC-I OEM Ref P.N.'s; DB8272	N/A		Air Cylinder		
Tailgate Raise, RCYC-I EZ Locks OEM Ref P.N.'s; DB8362, AB29246	D25LL-16-24	3772621136	2.50	1.50	24.00
Tailgate Raise, RCYC-II & III EZ Locks OEM Ref P.N.'s; AB12225, AB12265, AB12308, AB13978, AB29253	D25LL-12-16	3772621129	2.50	1.50	16.00
Tailgate Latch, RCYC-II OEM Ref P.N.'s; AB29305	N/A	Air Cylinder	3.00	0.75	4.00
Body Raise / Dump, Front Mount, RCYC-I & II OEM Ref P.N.'s; DB8273, DB8318, AB29334	S63MB-14-163.12	3771413254	Telescopic		163.12
Body Raise / Dump, Underbody, RCYC-I, II & III OEM Ref P.N.'s; DB8809, DB9135, AB29335	S52DC-10-89.38	3771512077	Telescopic		89.38
Cart Dumper OEM Ref P.N.'s; AB16141	N/A		Air Cylinder		
Cart Dumper OEM Ref P.N.'s; AB29003	N/A		Air Cylinder		

CROSSOVER AND APPLICATION DATA IS FOR REFERENCE ONLY.  
NO OTHER CONDITIONS ARE EXPRESSED OR IMPLIED.

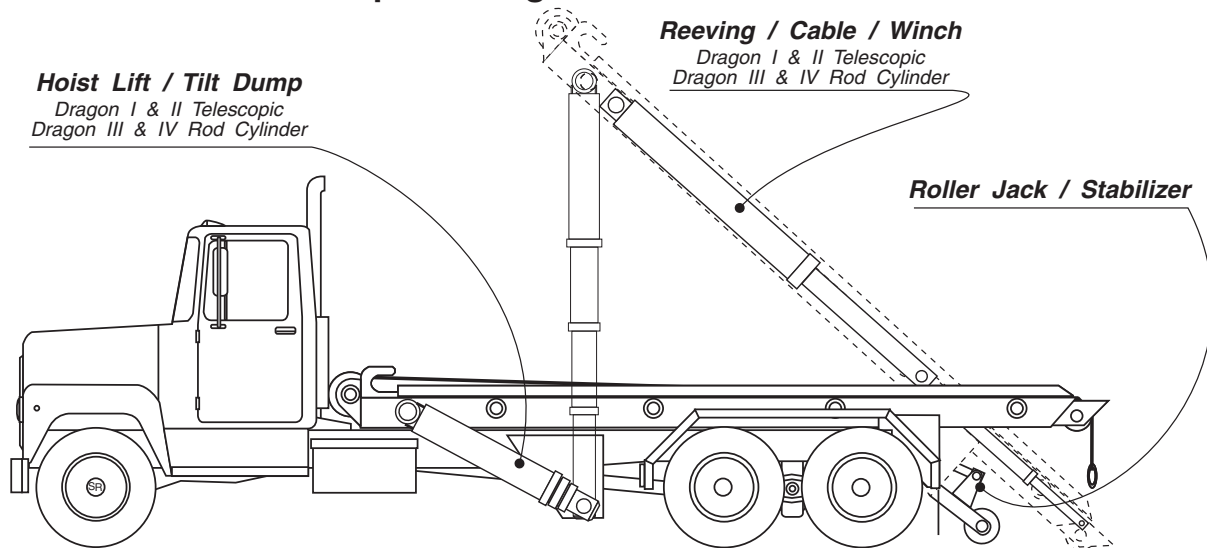
**Dempster Dinosaur "Dino" Bail Hook Roll-Off**



<u>Cylinder Function</u>	<u>Parker Eng#</u>	<u>Parker Number</u>	<u>Bore</u>	<u>Rod</u>	<u>Stroke</u>
Bail / Winch; 40,000# OEM Ref P.N.'s; BB8218, BB8219, CB3603, DB7693	B4964	3790004964	6.00	3.00	84.75
Bail / Winch; 50,000# OEM Ref P.N.'s; CB0796, CB6397, DB7695	D70CC-14-85	3773721112	7.00	3.00	85.00
Hoist Lift / Tilt Dump; 40,000# OEM Ref P.N.'s; CB3717, DB8052	B4807	3790004807	5.00	3.00	72.50
Hoist Lift / Tilt Dump; 50,000# OEM Ref P.N.'s; BB8212, BB8779, CB1757, DB8008	D60CC-41-68.50	3771421238	6.00	3.00	68.50
Roller Jack / Stabilizer OEM Ref P.N.'s; BB8181, DB7699	D52CB-31-6	3771521140	5.25	2.50	6.88

CROSSOVER AND APPLICATION DATA IS FOR REFERENCE ONLY.  
NO OTHER CONDITIONS ARE EXPRESSED OR IMPLIED.

**Dempster Dragon Cable Roll-Off**

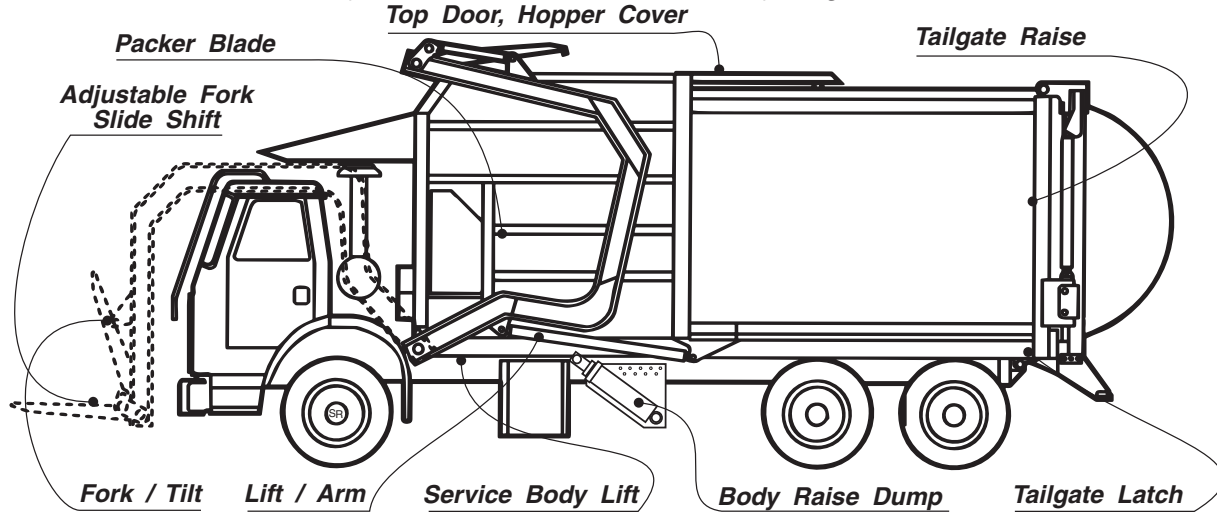


<u>Cylinder Function</u>	<u>Parker Eng#</u>	<u>Parker Number</u>	<u>Bore</u>	<u>Rod</u>	<u>Stroke</u>
Reeving / Cable / Winch; Dragon I & II OEM Ref P.N.'s; CB7478, CB7661, CB7877, CB7947	SD72AC-1-156	3772532018	Telescopic		156.00
Reeving / Cable / Winch; Dragon III & IV OEM Ref P.N.'s; DB7694, BB9290, AB19461	D3838	3790003838	6.00	3.00	76.00
Hoist Lift / Tilt Dump; Dragon I & II OEM Ref P.N.'s; CB7015, CB7781	SD53CC-16-111	3771533038	Telescopic		111.00
Hoist Lift / Tilt Dump; Dragon III & IV OEM Ref P.N.'s; DB7694, BB9290, AB19461	D3838	3790003838	6.00	3.00	76.00
Roller Jack / Stabilizer; Dragon 1&II OEM Ref P.N.'s; AB19462, AB19467	N/A		6.00	3.00	7.75

CROSSOVER AND APPLICATION DATA IS FOR REFERENCE ONLY.  
NO OTHER CONDITIONS ARE EXPRESSED OR IMPLIED.

**E-Z Pack FL80, FLOO80 Hercules Front Loader**

(Galion, McClain or Clean Earth), Page 1 of 2

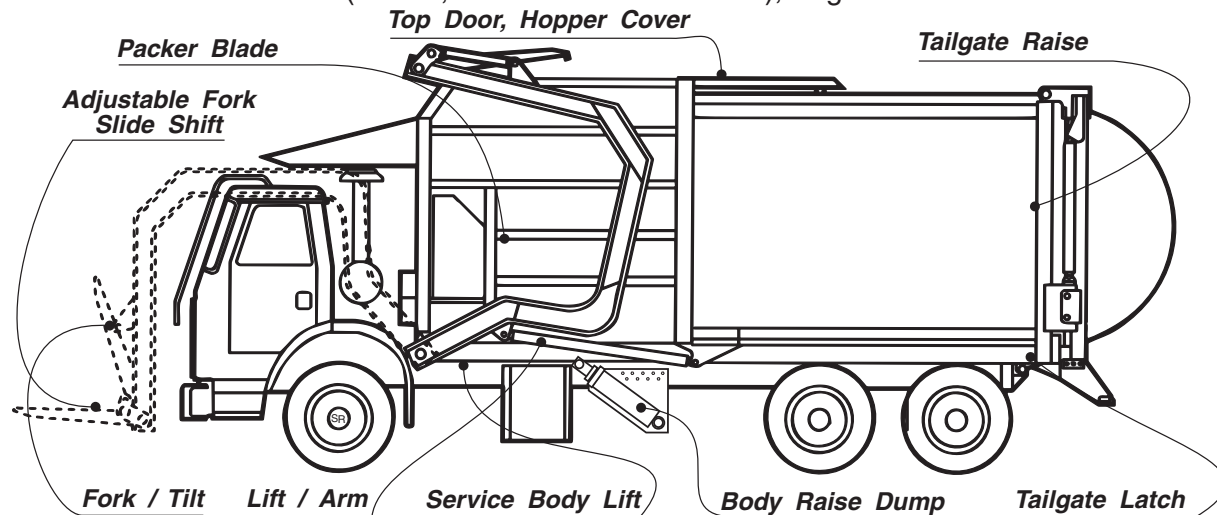


<u>Cylinder Function</u>	<u>Parker Eng#</u>	<u>Parker Number</u>	<u>Bore</u>	<u>Rod</u>	<u>Stroke</u>
Arm / Lift 1.50" Pins OEM Ref P.N.'s: 20-46119 4549DA, 20-46163 D4549ADA, 20-46171 D4549BDA, 20-49273 D4549EDA, 20-52344 K4549LDA	D45CD-5-49.12	3774121048	4.50	2.00	49.13
Arm / Lift 2.00" Pins OEM Ref P.N.'s: 21-05358 K4549MDA, 21-15641 C4549NDA	D45CD-4-49.12	3774121047	4.50	2.00	49.13
Fork / Tilt OEM Ref P.N.'s: 20-46012 3516BDA, 20-46142 D3516CDA, 20-49952 D3516JDA, 20-49999 D3516KDA, 20-52345 K3516LDA	D35LD-6-16.50	3774021019	3.50	1.75	16.50
Fork / Tilt OEM Ref P.N.'s: 20-47868 D3523DA, 20-49272 D3523BDA, 20-52346 K3523FDA	D35LD-3-23.25	3774021004	3.50	1.75	23.50
Fork / Tilt OEM Ref P.N.'s: 20-48524 D4016DA, 20-52356 K4016FDA	D40LD-2-16.5	3776821020	4.00	2.00	16.50
Fork / Tilt OEM Ref P.N.'s: 21-09213 K4022BDA, 21-15775 C4022CDA	D40LD-12-21.75	3776821117	4.00	2.00	21.75
Fork / Tilt, #8 SAE O-Ring Ports OEM Ref P.N.'s: 21-03153 K4025JDA	D40LD-10-24.75	3776821110	4.00	2.00	24.75
Fork / Tilt, #16 SAE O-Ring Ports OEM Ref P.N.'s: 21-09228 K4025KDA, 21-15642 C4025RDA	D40LD-11-24.75	3776821112	4.00	2.00	24.75
Fork / Tilt, 2 Position OEM Ref P.N.'s: 21-10044 K4025LDA, 21-14679 C4025PDA	D40LD-6-24.75	3776821044	4.00	2.00	24.75
Top Door, Sliding 34 YD OEM Ref P.N.'s: 20-46008 2563ADA, 20-46141 D2563BDA, 20-52362 K2563EDA	D25DD-5-63	3772621138	2.50	1.75	63.00
Top Door, Sliding 40 YD OEM Ref P.N.'s: 20-48520 D3089DA, 20-52348 K3089ADA 21-15646 C3089BDA	D30DD-15-89	3770521049	3.00	2.00	63.00
Top Door, Hinged OEM Ref P.N.'s: 20-46155 D4021JDA, 20-52357 K4021NDA	D40DD-10-21.62	3770521116	4.00	2.50	21.63
Tailgate Raise OEM Ref P.N.'s: 20-47048 D3033ADA, 20-52347 K3033DDA, 21-15644 C3033EDA	D30LD-8-33.38	3770521123	3.00	1.75	33.38
Tailgate Raise OEM Ref P.N.'s: 2534DAA 20-41382, 20-46157 D2534CDA	N/A	N/A	2.50	1.75	34.00

CROSSOVER AND APPLICATION DATA IS FOR REFERENCE ONLY.  
NO OTHER CONDITIONS ARE EXPRESSED OR IMPLIED.

**E-Z Pack FL80, FLOO80 Hercules Front Loader**

(Galion, McClain or Clean Earth), Page 2 of 2

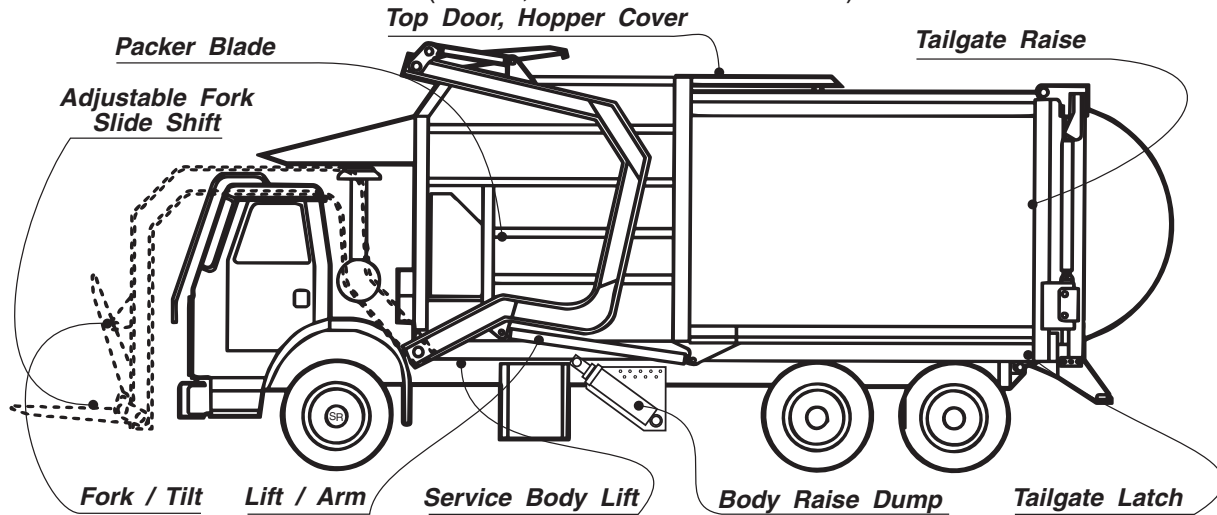


<u>Cylinder Function</u>	<u>Parker Eng#</u>	<u>Parker Number</u>	<u>Bore</u>	<u>Rod</u>	<u>Stroke</u>
Packer Blade, 34 Yd Full Eject OEM Ref P.N.'s: 21-04536 K63133DDA, 21-15773 C63133EDA, 70-1601 D63133DA, 70-1627 C63133ADA, 70-1731 K63133CDA	SD63CB-26-132.75	3771433930	Telescopic		132.75
Packer Blade, 40 Yd Full Eject OEM Ref P.N.'s: 21-04537 K63167FDA, 21-15770 C63167HDA, 70-1592 D63167DA, 70-1619 C63167BDA, 70-1730 K63167DDA	SD63CB-26-167	3771433925	Telescopic		167.00
Packer Blade, 45 Yd Full Eject OEM Ref P.N.'s: 21-01987 K63198ADA, 21-04538 K63198BDA, 21-15772 C63198DDA	SD63CB-26-197	3771433931	Telescopic		197.00
Packer Blade, 40 Yd Full Eject Spherical Bearings OEM Ref P.N.'s: 21-06096 K63167GDA, 21-15771 C63167JDA	SD63CB-27-167	3771433935	Telescopic		167.00
Packer Blade, 45 Yd Full Eject Spherical Bearings OEM Ref P.N.'s: 21-06097 K63198CDA	SD63CB-27-195	3771433936	Telescopic		197.00
Packer Blade, Gravity Dump OEM Ref P.N.'s: 20-45450 6067DA, 20-46139 D6067ADA 20-49142 D6067BDA, 20-49480 D6067EDA, 20-52349 K6067GDA, 21-07940 K6067HDA, 21-12474 K6067JDA	D60DB-16-67.5	3771421181	6.00	5.00	67.50
Body Raise, Gravity Dump OEM Ref P.N.'s: 21-01493 K5365B, 70-1670 C5365K	S53DC-18-64.75	3771513098	Telescopic		64.75
Body Raise / Gravity Dump OEM Ref P.N.'s: 70-1259 5381B, 70-1487 D5381G, 70-1653 C5381K, 70-1732 K5381N	S53DC-70-80.75	3771513187	Telescopic		80.75
Service Body Lift OEM Ref P.N.'s: 20-04001 3024CDA	3782000014	3782000014	3.50	2.00	24.00
Cab Shield OEM Ref P.N.'s: 20-46167 D1510, 20-45588	N/A	N/A	1.50	1.00	10.00

CROSSOVER AND APPLICATION DATA IS FOR REFERENCE ONLY.  
NO OTHER CONDITIONS ARE EXPRESSED OR IMPLIED.

**E-Z Pack FL10, FLOO10 Hercules Front Loader**

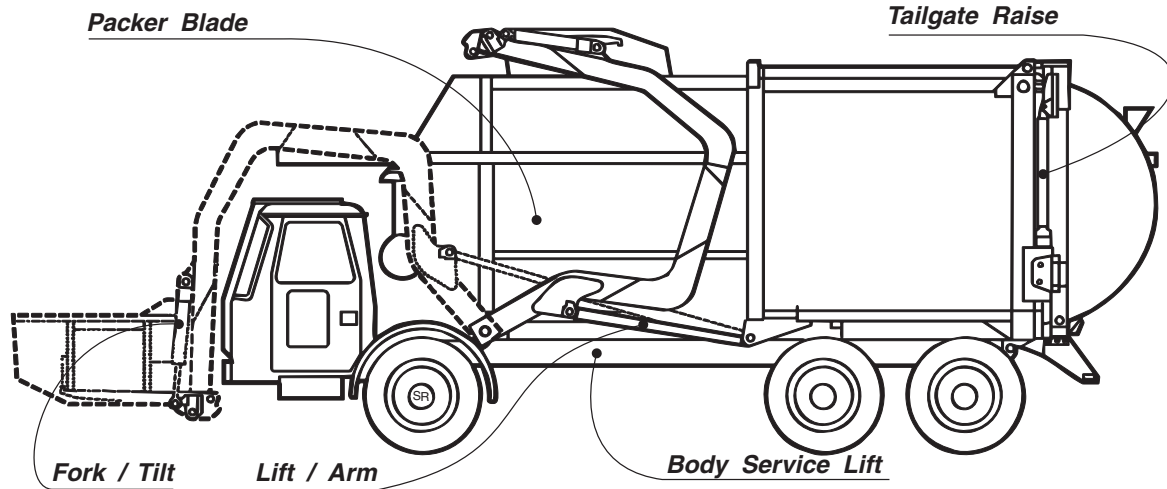
(Galion, McClain or Clean Earth)



<u>Cylinder Function</u>	<u>Parker Eng#</u>	<u>Parker Number</u>	<u>Bore</u>	<u>Rod</u>	<u>Stroke</u>
Arm / Lift, 10,000# Lift OEM Ref P.N.'s: 20-48519 D5549DA, 20-52355 K5549ADA 21-12851 K5549BDA, 21-15639 C5549CDA	D55CC-12-49.12	3771921050	5.50	3.00	49.13
Fork / Tilt, 10,000# Lift OEM Ref P.N.'s: 21-03390 K4525DA, 21-09229 K4525ADA 21-15640 C4525BDA	D45LD-6-24	3774121017	4.50	2.00	24.75
Fork / Tilt, 10,000# Lift OEM Ref P.N.'s: 21-09214 K4522KDA, 21-15774 C4522LOA	D45LD-8-21.75	3774121051	4.50	2.00	21.75
Top Door, Sliding 30 & 34 YD OEM Ref P.N.'s: 20-46008 2563ADA, 20-46141 D2563BDA, 20-52362 K2563EDA	D25DD-5-63	3772621138	2.50	1.75	63.00
Top Door, Sliding 40 & 45 YD OEM Ref P.N.'s: 20-48520 D3089DA, 20-52348 K3089ADA 21-15646 C3089BDA	D30DD-15-89	3770521116	3.00	2.00	63.00
Tailgate Raise OEM Ref P.N.'s: 20-47048 D3033ADA, 20-52347 K3033DDA, 21-15644 C3033EDA	D30LD-8-33.38	3770521123	3.00	1.75	33.38
Packer Blade, 34 Yd Full Eject OEM Ref P.N.'s: 21-04536 K63133DDA, 21-15773 C63133EDA, 70-1601 D63133DA, 70-1627 C63133ADA, 70-1731 K63133CDA	SD63CB-26-132.75	3771433930	Telescopic		132.75
Packer Blade, 40 Yd Full Eject OEM Ref P.N.'s: 21-04537 K63167FDA, 21-15770 C63167HDA, 70-1592 D63167DA, 70-1619 C63167BDA, 70-1730 K63167DDA	SD63CB-26-167	3771433925	Telescopic		167.00
Packer Blade, 45 Yd Full Eject OEM Ref P.N.'s: 21-01987 K63198ADA, 21-04538 K63198BDA, 21-15772 C63198DDA	SD63CB-26-197	3771433931	Telescopic		197.00
Packer Blade, 40 Yd Full Eject Spherical Bearings OEM Ref P.N.'s: 21-06096 K63167GDA, 21-15771 C63167JDA	SD63CB-27-167	3771433935	Telescopic		167.00
Packer Blade, 45 Yd Full Eject Spherical Bearings OEM Ref P.N.'s: 21-06097 K63198CDA	SD63CB-27-195	3771433936	Telescopic		197.00

CROSSOVER AND APPLICATION DATA IS FOR REFERENCE ONLY.  
NO OTHER CONDITIONS ARE EXPRESSED OR IMPLIED.

**E-Z Pack FLFR Residential Front Loader**  
(Galion, McClain or Clean Earth)

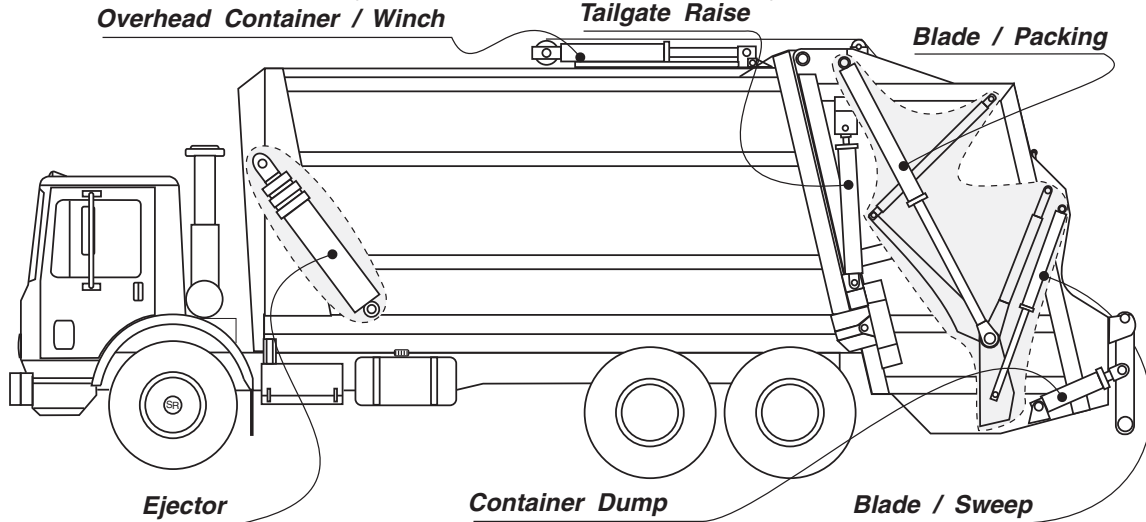


<u>Cylinder Function</u>	<u>Parker Eng#</u>	<u>Parker Number</u>	<u>Bore</u>	<u>Rod</u>	<u>Stroke</u>
Arm / Lift; 6000# OEM Ref P.N.'s; 21-03855 K3551ADA 21-15643 C3551BDA	D35CD-7-51.31	3774021009	3.50	2.00	51.31
Arm / Lift; 8000# OEM Ref P.N.'s; 21-06343 K4551CDA 21-15645 C4551EDA	D45CD-4-51.31	3774121050	4.50	2.00	51.31
Fork / Tilt; 6000# OEM Ref P.N.'s; 21-07434 K3025CDA	D30LD-4-24	3770521071	3.00	1.75	24.75
Fork / Tilt; 8000# OEM Ref P.N.'s; 21-09228 K4025KDA, 21-15642 C4025RDA	D40LD-11-24.75	3776821112	4.00	2.00	24.75
Tailgate Raise OEM Ref P.N.'s; 20-47048 D3033ADA, 20-52347 K3033DDA, 21-15644 C3033EDA	D30LD-8-33.38	3770521123	3.00	1.75	33.38
Packer Blade, 2.00" Dia. Pin x 3.00" Wide Lug OEM Ref P.N.'s; 21-11441 K52133ADA 21-15777 C52133BDA	SD52CB-10-132.19	3771532073	Telescopic		132.19
Packer Blade, 1.985" Dia. Pin x 2.00" Wide Lug OEM Ref P.N.'s; 21-03854 K52133DA 21-16048 C52133CDA	SD52CB-6-132.75	3771532057	Telescopic		132.19
Packer Blade, 2.00" Wide Bearing OEM Ref P.N.'s; 21-04537 K63167FDA, 21-15770 C63167HDA, 70-1592 D63167DA, 70-1619 C63167BDA, 70-1730 K63167DDA	SD63CB-26-167	3771433925	Telescopic		167.00
Packer Blade, 3.00" Wide Bearing OEM Ref P.N.'s; 21-06096 K63167GDA, 21-15771 C63167JDA	SD63CB-27-167	3771433935	Telescopic		167.00
Body Service Lift OEM Ref P.N.'s; 20-04001 3024CDA NOTE: Must Replace as a Set	3782000014	3782000014	3.50	2.00	24.00

CROSSOVER AND APPLICATION DATA IS FOR REFERENCE ONLY.  
NO OTHER CONDITIONS ARE EXPRESSED OR IMPLIED.

**E-Z Pack G370 Goliath Rear Loader**

(Galion, McClain or Clean Earth)



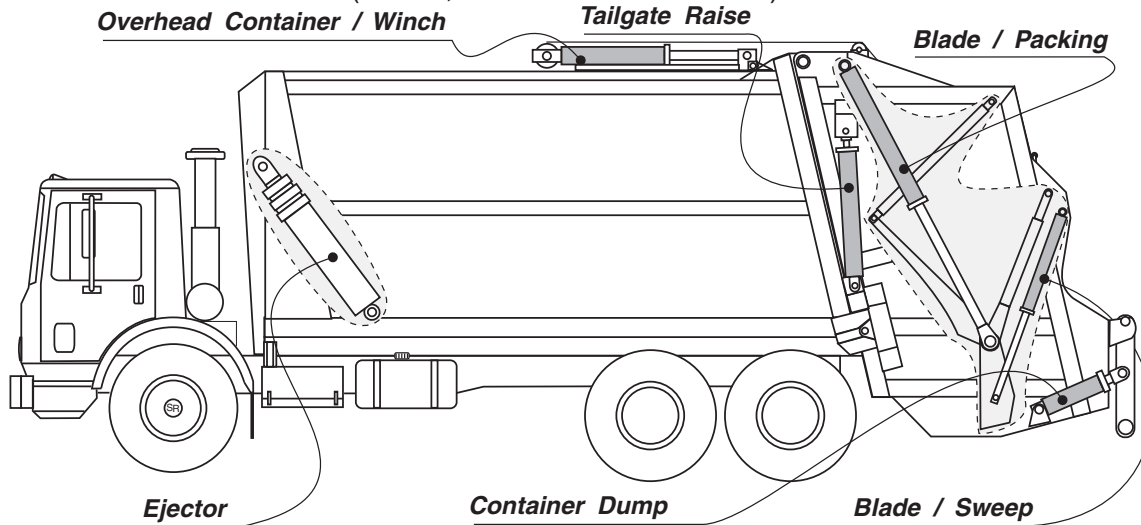
<u>Cylinder Function</u>	<u>Parker Eng#</u>	<u>Parker Number</u>	<u>Bore</u>	<u>Rod</u>	<u>Stroke</u>
Blade / Packing OEM Ref P.N.'s; 20-44095 6042DA, 20-44973 6042ADA, 20-46077 D6042BDA, 20-47092 D6042CDA, 20-48279 D6042DDA, 20-49898 D6042HDA, 21-01530 K6042LDA, 21-14659 C6042MDA	D60DC-12-42.62	3771421240	6.00	2.75	42.63
Blade / Sweep OEM Ref P.N.'s; 20-43726 4028DA, 20-44969 4028BDA, 20-46076 D4028DDA, 20-46382 D4028EDA, 20-47091 D4028FDA, 20-49897 D4028KDA, 21-01531 K4028LDA, 21-14658 C4028MDA	D40DB-7-28.5	3776821123	4.00	2.75	28.50
Blade / Sweep, Tag Axle Tailgate OEM Ref P.N.'s; 21-02610 K4025GDA, 21-14661 C4025NDA	D40DB-7-25.62	3776821122	4.00	2.75	25.62
Tailgate Raise OEM Ref P.N.'s; 20-44125 4035CDA, 20-45169 4035EDA, 20-46249 D4035HDA, 20-47090 D4035JDA, 21-01532 K4035LDA, 21-14660 C4035MDA	D40LB-2-35.31	3776821105	4.00	2.50	35.31
Overhead Container Winch Reeving OEM Ref P.N.'s; 20-46332 D6060DA, 21-02830 K6060CDA, 21-14667 C6060DDA	D60DC-8-60	3771421161	6.00	2.75	60.00
Container Dump OEM Ref P.N.'s; 21-02804 K3015GDA, 21-14668 C3015HDA	D30DL-2-15.375	3770521054	3.00	1.25	15.38
Ejector Push Out, 16 Yd OEM Ref P.N.'s; 21-01365 K6270ADA, 70-1579 D6270DA	SD62CC-23-70	3771432062	Telescopic		70.50
Ejector Push Out, 18 Yd OEM Ref P.N.'s; 21-01366 K6281ADA, 21-14665 C6281BDA, 70-1617 D6281DA	SD62CC-23-81	3771432061	Telescopic		81.50
Ejector Push Out, 20 Yd OEM Ref P.N.'s; 21-01367 K6292JDA, 21-14664 C6292KDA, 70-1464 C6292BDA, 70-1507 D6292CDA, 70-1547 D6292EDA, 70-1618 C6292HDA	SD62CC-23-92	3771432060	Telescopic		92.50
Ejector Push Out, 25 Yd OEM Ref P.N.'s; 21-01368 K63124LDA, 21-14663 C63124MDA, 70-1465 63124DDA, 70-1478 D63124FDA, 70-1548 D63124HDA, 70-1727 C63124HDA, 70-1616 C63124JDA	SD63CC-28-124	3771433072	Telescopic		124.50
Ejector Push Out, 31 Yd OEM Ref P.N.'s; 21-01369 K74162CDA, 21-14662 C74162EDA, 70-1422 74162DA, 70-1508 D74162ADA, 70-1546 D74162BDA, 70-1631 C74162DDA	SD74CC-13-162.88	3772534042	Telescopic		163.00

CROSSOVER AND APPLICATION DATA IS FOR REFERENCE ONLY.  
NO OTHER CONDITIONS ARE EXPRESSED OR IMPLIED.



**E-Z Pack G300 Goliath II Rear Loader**

(Galion, McClain or Clean Earth)

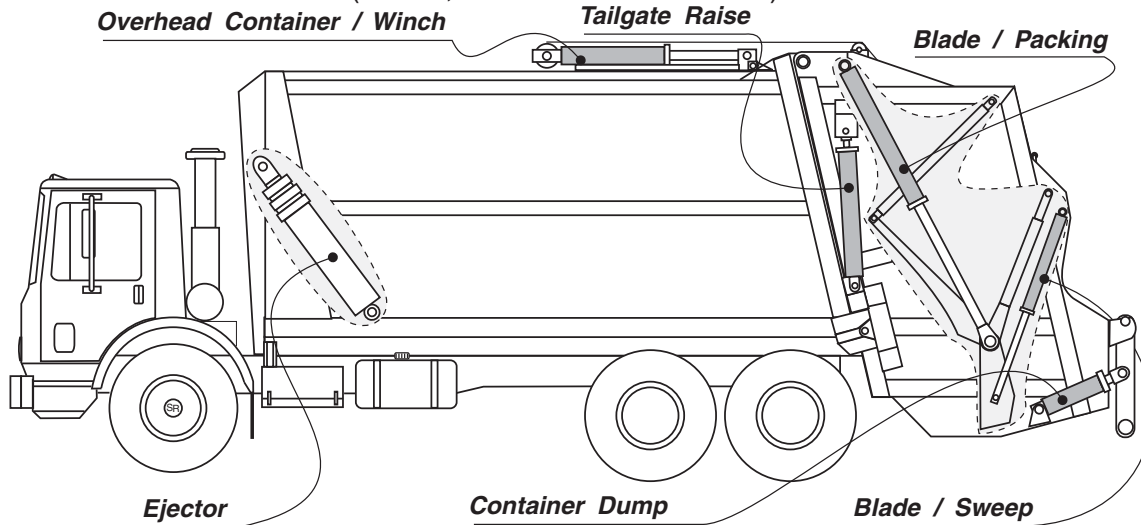


<u>Cylinder Function</u>	<u>Parker Eng#</u>	<u>Parker Number</u>	<u>Bore</u>	<u>Rod</u>	<u>Stroke</u>
Blade / Packing OEM Ref P.N.'s; 21-01954 K5538CDA, 20-49774 D5538ADA, 21-14635 C5538DDA	D55CC-2-38.31	3771921030	5.50	2.50	38.31
Blade / Sweep OEM Ref P.N.'s; 21-01883 K4025FDA, 20-49775 D4025ADA, 21-14634 C4025MDA	D40CC-16-24.81	3776821024	4.00	2.50	24.81
Tailgate Raise, With Automatic Locks OEM Ref P.N.'s; 21-01947 K3031CDA	D30LC-2-31.5	3770521105	3.00	2.00	31.50
Tailgate Raise, With Turnbuckles OEM Ref P.N.'s; 21-01646 K3127E, 70-1595, D3127A	S31LC-2-27.5	3770711030	3.25	2.75	27.50
Overhead Container Winch Reeving OEM Ref P.N.'s; 20-46332 D6060DA, 21-02830 K6060CDA, 21-14667 C6060DDA	D60DC-8-60	3771421161	6.00	2.75	60.00
Container Dump OEM Ref P.N.'s; 21-02804 K3015GDA, 21-14668 C3015HDA	D30DL-2-15.375	3770521054	3.00	1.25	15.38
Ejector Push Out, 18 Yd OEM Ref P.N.'s; 21-01370 K6283CDA, 70-1687 C6283BDA, 70-1681 D6283ADA	SD62CC-24-82.5	3771432064	Telescopic		82.50
Ejector Push Out, 20 Yd OEM Ref P.N.'s; 21-01371 K6297BDA, 70-1688 C6297BDA, 70-1726 C6297CDA, 70-1682 D6297ADA	SD62CC-24-96.5	3771432063	Telescopic		96.50
Ejector Push Out, 25 Yd OEM Ref P.N.'s; 21-01765 K63129EDA, 70-1683 D63129ADA, 70-1689 C63129BDA, 70-1706 C63129CDA, 21-14639 C63129FDA	SD63CC-27-129	3771433074	Telescopic		129.00
Ejector Push Out, 31 Yd OEM Ref P.N.'s; 21-01374 K74168EDA 70-1685 D74168ADA, 70-1691 C74168BDA, 70-1725 C74168DDA, 21-14643 C74168FDA	SD74CC-15-167.50	3772534049	Telescopic		167.50

CROSSOVER AND APPLICATION DATA IS FOR REFERENCE ONLY.  
NO OTHER CONDITIONS ARE EXPRESSED OR IMPLIED.

**E-Z Pack A300 Apollo Rear Loader**

(Galion, McClain or Clean Earth)



<u>Cylinder Function</u>	<u>Parker Eng#</u>	<u>Parker Number</u>	<u>Bore</u>	<u>Rod</u>	<u>Stroke</u>
Blade / Packing OEM Ref P.N.'s; 21-01648 K4538FDA, 21-14653 C4538DDA	D45CC-3-38.31	3775221022	4.50	2.00	38.31
Blade / Sweep OEM Ref P.N.'s; 21-01883 K4025FDA, 20-49775 D4025ADA, 21-14634 C4025MDA	D40CC-16-24.81	3776821024	4.00	2.50	24.81
Tailgate Raise, With Automatic Locks OEM Ref P.N.'s; 21-01947 K3031CDA	D30LC-2-31.5	3770521105	3.00	2.00	31.50
Tailgate Raise, With Turnbuckles OEM Ref P.N.'s; 21-01646 K3127E, 70-1595, D3127A	S31LC-2-27.5	3770711030	3.25	2.75	27.50
Overhead Container Winch Reeving OEM Ref P.N.'s; 20-46332 D6060DA, 21-02830 K6060CDA, 21-14667 C6060DDA	D60DC-8-60	3771421161	6.00	2.75	60.00
Container Dump OEM Ref P.N.'s; 21-02804 K3015GDA, 21-14668 C3015HDA	D30DL-2-15.375	3770521054	3.00	1.25	15.38
Ejector Push Out, 16 Yd OEM Ref P.N.'s; 21-01375 K5269DDA, 70-1612 D5269BDA, 70-1674 C5269CDA, 21-14654 C5269EDA	SD52CC-25-68.5	3771532053	Telescopic		68.50
Ejector Push Out, 18 Yd OEM Ref P.N.'s; 21-01376 K5283DDA, 70-1600 D5283ADA, 70-1720 C5283BDA, 21-14655 C5283EDA	SD52CC-25-82.5	3771532054	Telescopic		82.50
Ejector Push Out, 20 Yd OEM Ref P.N.'s; 21-01377 K5297DDA, 70-1598 D5297ADA, 70-1622 C5297CDA, 21-14656 C5297EDA	SD52CC-25-96.5	3771532052	Telescopic		96.50
Ejector Push Out, 25 Yd OEM Ref P.N.'s; 21-01378 K53129DDA, 70-1599 D53129ADA, 70-1639 D53129BDA, 70-1705 C53129CDA, 21-14657 C53129EDA	SD53CC-30-129	3771533066	Telescopic		129.12

CROSSOVER AND APPLICATION DATA IS FOR REFERENCE ONLY.  
NO OTHER CONDITIONS ARE EXPRESSED OR IMPLIED.

## E-Z Pack, C200 & M150 Rear Loader

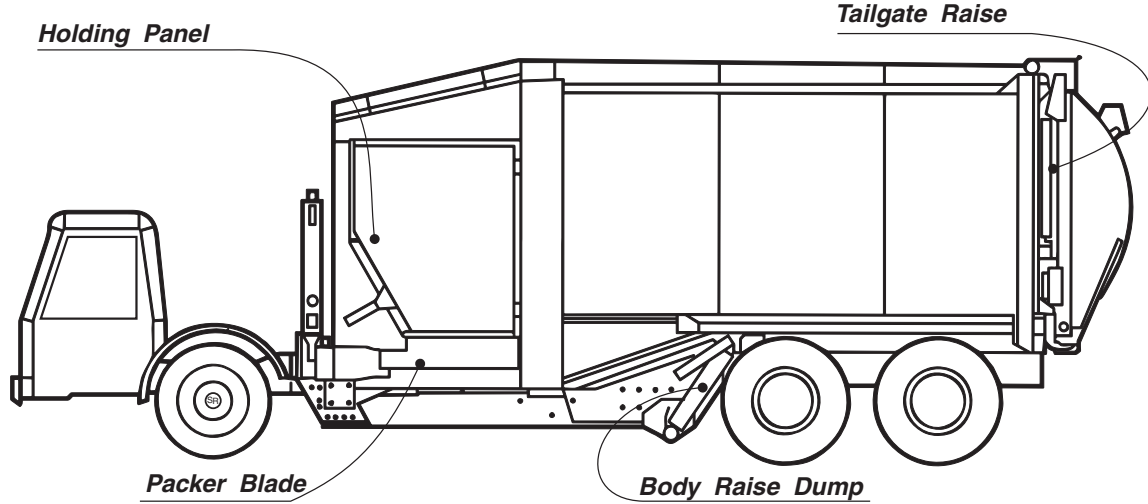
### C200D & C200E Rear Loader

Cylinder Function	Parker Eng#	Parker Number	Bore	Rod	Stroke
Blade / Packing OEM Ref P.N.'s; 21-03472 K4030LDA, 21-01631 K4030JDA, 20-46153 D4030EDA, 20-47492 D4030FDA, 21-14671 C4030MDA	D40DL-2-30.38	3776821029	4.00	1.75	30.38
Blade / Sweep OEM Ref P.N.'s; 21-01630 K3021LDA, 20-46151 D3021GDA, 20-47491 D3021HDA, 21-14670 C3021MDA	D30DD-7-21.12	3770521057	3.00	1.75	21.13
Tailgate Raise; With Turnbuckles OEM Ref P.N.'s; 21-01629 K3128J, 70-1704 C3128G, 21-14672 C3128K, 70-1567 D3128D	S31LC-1-28.56	3770711027	3.25	2.75	28.56
Ejector Pust Out, 16 YD OEM Ref P.N.'s; 21-01379 K4257BDA, 70-1625 C4257ADA, 21-14674 C4257CDA, 70-1581 D4257DA	SD42CC-22-57	3771032027	Telescopic		57.00
Ejector Pust Out, 20 YD OEM Ref P.N.'s; 21-01381 K5292GDA, 70-1308 5292DA, 70-1506 D5292CDA, 70-1566 D5292DDA, 70-1602 D5292EDA, 70-1621 C5292FDA	SD52CC-25-92.5	3771532055	Telescopic		92.50
Ejector Pust Out, 25 YD OEM Ref P.N.'s; 21-01382 K53117HDA, 70-1309 53117DA, 70-1577 D53117DDA, 70-1626 C53117EDA, 21-14673 C53117JDA	SD53CC-30-117.25	3771533057	Telescopic		117.25

### M150 Rear Loader

Cylinder Function	Parker Eng#	Parker Number	Bore	Rod	Stroke
Blade / Packing OEM Ref P.N.'s; 21-03471 K3526NDA, 21-01635 K3526LDA, 20-46152 D3526JDA, 21-14676 C3526PDA	D35DL-2-26.31	3774021006	3.50	1.75	26.31
Blade / Sweep OEM Ref P.N.'s; 21-01634 K3018GDA, 21-14675 C3018HDA	D30DD-6-18	3770521051	3.00	1.75	18.00
Tailgate Raise; With Turnbuckles OEM Ref P.N.'s; 21-01632 K2523D, 21-14677 C2523E	S31CC-24-23.56	3770711028	3.25	2.75	23.31
Ejector Pust Out, 14 YD OEM Ref P.N.'s; 21-01633 K5391CDA, 70-1504 D5391ADA, 21-14678 C5391EDA	SD53CC-29-91.50	3771533056	Telescopic		91.50

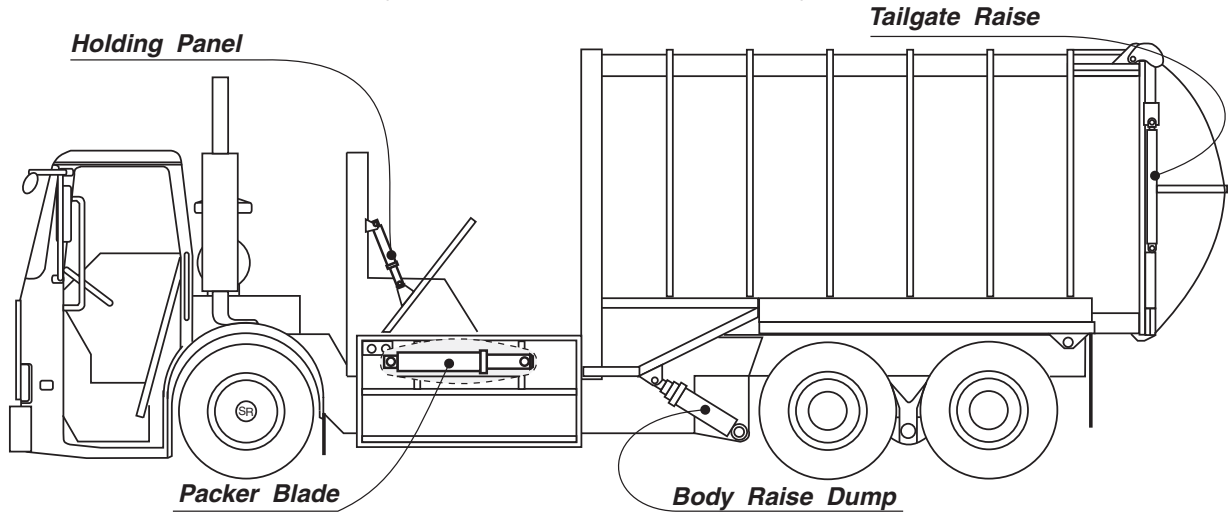
**E-Z Pack SLB30, SLB35 & SLB40 One Man Side Loader**  
(Galion, McClain or Clean Earth)



<u>Cylinder Function</u>	<u>Parker Eng#</u>	<u>Parker Number</u>	<u>Bore</u>	<u>Rod</u>	<u>Stroke</u>
Packer Blade OEM Ref P.N.'s; K4042DDA 21-02832, 20-46159 D4042BDA, 20-47088 D4042CDA	D40CB-10-42	3776821106	4.00	2.50	42.00
Packer Blade OEM Ref P.N.'s; K5040BDA 21-10661, K5040ADA	D50CB-6-40	3777921028	5.00	4.00	40.00
Packer Blade OEM Ref P.N.'s; 21-06957 K4542DA	B5607	3790005607	4.50	3.00	41.44
Holding Panel, Crusher Panel OEM Ref P.N.'s; 21-07434 K3025CDA	D30LD-4-24	3770521071	3.00	1.75	24.75
Holding Panel, Crusher Panel OEM Ref P.N.'s; 21-02833 K3514DDA, 20-48858 D3514CDA	D35DB-2-14.25	3774021007	3.50	2.50	14.25
Tailgate Raise OEM Ref P.N.'s; 20-47048 D3033ADA, 20-52347 K3033DDA, 21-15644 C3033EDA	D30LD-8-33.38	3770521123	3.00	1.75	33.38
Body Raise / Dump 30 Yard Body OEM Ref P.N.'s; 21-11905 K5365CDA	S53DC-21-65	3771513142	Telescopic		65.00
Body Raise / Dump 35 Yard Body OEM Ref P.N.'s; 21-11904 K5381XDA, 21-15649 C5381ZDA	S53DC-21-81	3771513143	Telescopic		81.00
Body Raise / Dump 40 Yard Body OEM Ref P.N.'s; 21-11903 K6499ADA	S64DC-11-99	3771414048	Telescopic		99.00

CROSSOVER AND APPLICATION DATA IS FOR REFERENCE ONLY.  
NO OTHER CONDITIONS ARE EXPRESSED OR IMPLIED.

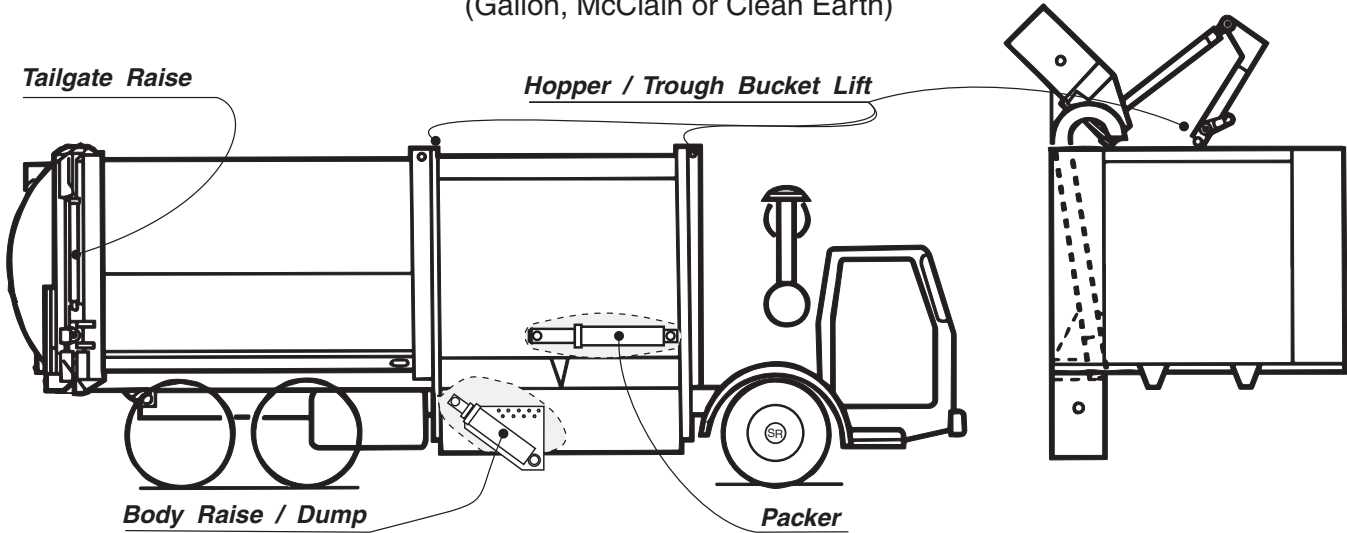
**E-Z Pack HCSL & HCSLA One Man Side Loader**  
(Galion, McClain or Clean Earth)



<u>Cylinder Function</u>	<u>Parker Eng#</u>	<u>Parker Number</u>	<u>Bore</u>	<u>Rod</u>	<u>Stroke</u>
Packer Blade OEM Ref P.N.'s; K4042DDA 21-02832, 20-46159 D4042BDA, 20-47088 D4042CDA	D40CB-10-42	3776821106	4.00	2.50	42.00
Holding Panel, Crusher Panel OEM Ref P.N.'s; 21-02833 K3514DDA, 20-48858 D3514CDA	D35DB-2-14.25	3774021007	3.50	2.50	14.25
Tailgate Raise OEM Ref P.N.'s; 20-47048 D3033ADA, 20-52347 K3033DDA, 21-15644 C3033EDA	D30LD-8-33.38	3770521123	3.00	1.75	33.38
Body Raise / Dump; Single Axle OEM Ref P.N.'s; 21-01644 K5253A	S52DB-7-53.62	3771512052	Telescopic		53.62
Body Raise / Dump; Dual Axle OEM Ref P.N.'s; 21-01819 K5382V, 70-1668 C5382D, 70-1668 C5382D	S53DB-24-82	3771513185	Telescopic		82.75

CROSSOVER AND APPLICATION DATA IS FOR REFERENCE ONLY.  
NO OTHER CONDITIONS ARE EXPRESSED OR IMPLIED.

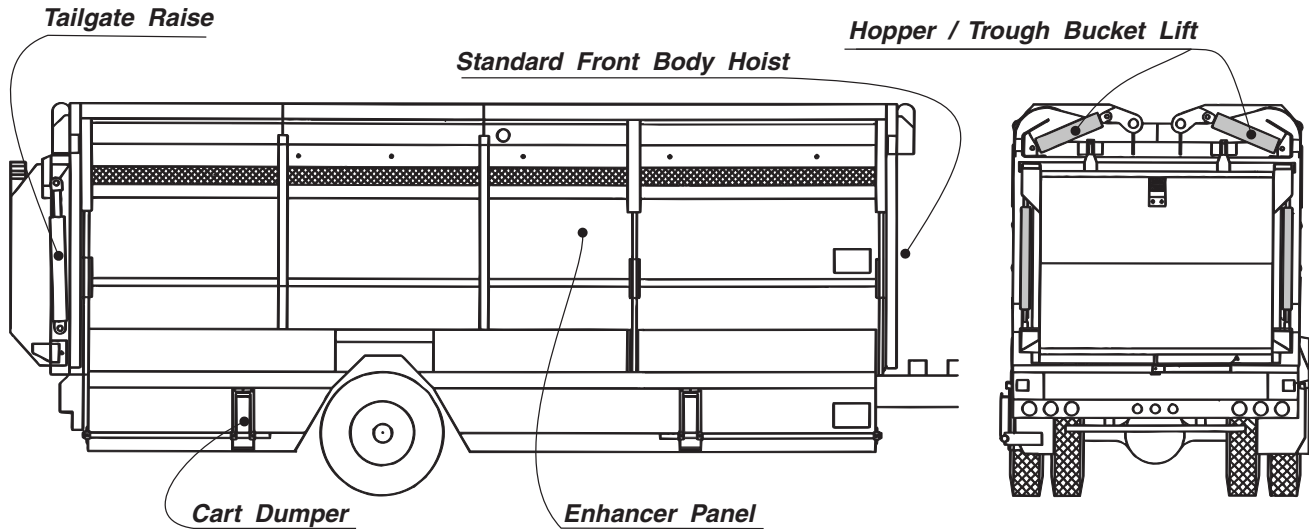
**E-Z Pack HCR-34, HCR-37 & HCR-40 High Capacity Recycler**  
(Galion, McClain or Clean Earth)



<u>Cylinder Function</u>	<u>Parker Eng#</u>	<u>Parker Number</u>	<u>Bore</u>	<u>Rod</u>	<u>Stroke</u>
Hopper / Trough Bucket Lift OEM Ref P.N.'s; 21-04945 K3023EDA, 21-04533 K3023DDA, 20-49348 D3023BDA, 21-15647 C3023GDA	D30DD-9-23	3770521067	3.00	1.25	23.00
Packer OEM Ref P.N.'s; 21-02832 K4042DDA, 20-46159 D4042BDA, 20-47088 D4042CDA	D40CB-10-42	3776821106	4.00	2.50	42.00
Packer OEM Ref P.N.'s; 21-03228 K5042ADA, 21-15648 C5042BDA	D50CB-3-42	3777921005	5.00	2.50	42.00
Tailgate Raise OEM Ref P.N.'s; 20-52347 K3033DDA, 20-47048 D3033ADA, 21-15644 C3033EDA	D30LD-8-33.38	3770521123	3.00	1.75	33.38
Body Raise / Dump, HCR-34 & HCR-37 OEM Ref P.N.'s; 21-02113 K5371J, 70-1664 D5371G, 70-1667 C5371H	S53DB-24-71	3771513184	Telescopic		71.13
Body Raise / Dump, HCR-40 OEM Ref P.N.'s; 21-02112 K5390B, 70-1722 C5390A	S53DB-24-92	3771513186	Telescopic		91.13

CROSSOVER AND APPLICATION DATA IS FOR REFERENCE ONLY.  
NO OTHER CONDITIONS ARE EXPRESSED OR IMPLIED.

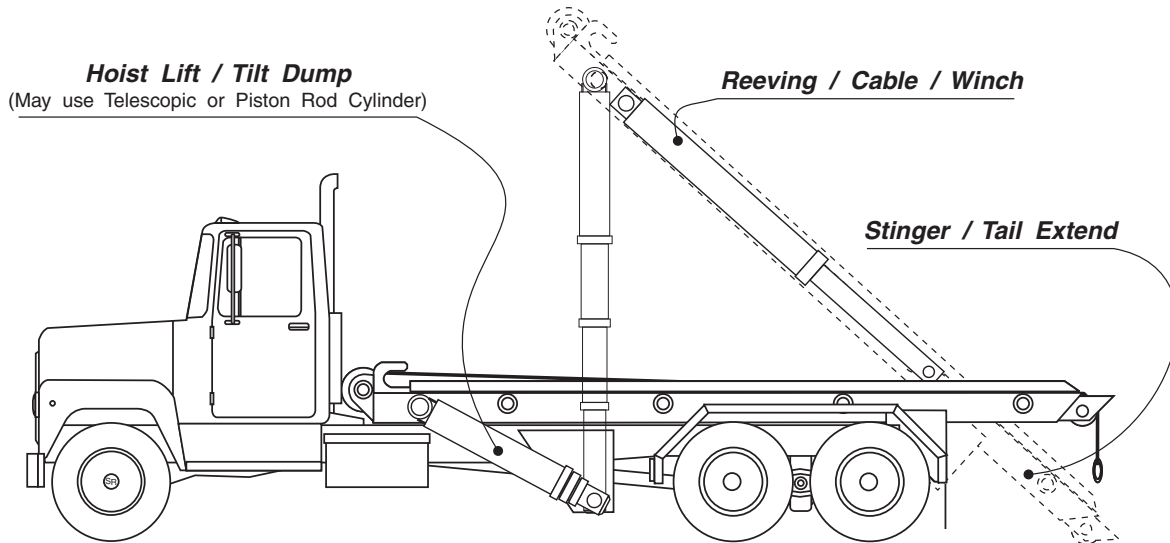
**G-S Products GS-5700 Recycling Body**



<u>Cylinder Function</u>	<u>Parker Eng#</u>	<u>Parker Number</u>	<u>Bore</u>	<u>Rod</u>	<u>Stroke</u>
Hopper / Trough Bucket Lift, Loading OEM Ref P.N.'s; 11071	D45CC-18-16.00	3774121040	4.50	2.00	16.00
Enhancer Panel / Packer OEM Ref P.N.'s; 11085	D40CC-26-69.00	3770821049	4.00	2.00	69.00
Enhancer Panel / Packer OEM Ref P.N.'s; 11080	D40CC-26-91.50	3770821048	4.00	2.00	91.50
Panel, Air Cylinder OEM Ref P.N.'s; 11086	N/A		Air Cylinder		
Tailgate Raise OEM Ref P.N.'s; 11041	N/A				
Body Raise / Dump, Front Mount OEM Ref P.N.'s; 12211	N/A				

CROSSOVER AND APPLICATION DATA IS FOR REFERENCE ONLY.  
NO OTHER CONDITIONS ARE EXPRESSED OR IMPLIED.

**G & H Manufacturing 1500 & 1560 Roll-Off**

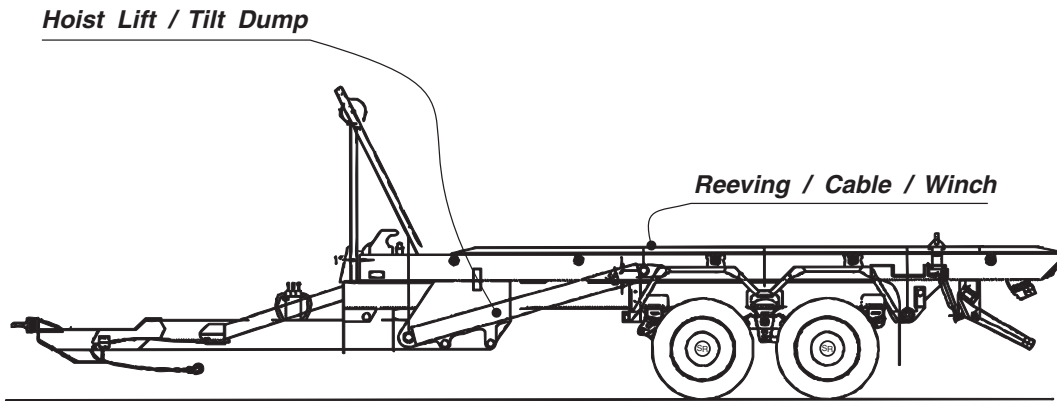


<u>Cylinder Function</u>	<u>Parker Eng#</u>	<u>Parker Number</u>	<u>Bore</u>	<u>Rod</u>	<u>Stroke</u>
Reeving / Cable / Winch; 1500 Mfg Pre 06/02 OEM Ref P.N.'s; H3291, P1331, PH-020-168 NPT Ports	D60DD-20-79	3771421260	6.00	4.00	79.00
Reeving / Cable / Winch; 1500 Mfg After 06/02 OEM Ref P.N.'s; FA1001 SAE Ports	D60DD-20-79	3771421260	6.00	4.00	79.00
Reeving / Cable / Winch; 1560 Mfg Pre 06/02 OEM Ref P.N.'s; H3292 NPT Ports	D70DD-9-79	3773721117	7.00	4.00	79.00
Reeving / Cable / Winch; 1560 Mfg After 06/02 OEM Ref P.N.'s; FA102 SAE Ports	D70DD-9-79	3773721117	7.00	4.00	79.00
Hoist Lift / Tilt Dump; 1500 Rod Type Mfg Pre 06/02 OEM Ref P.N.'s; H3291, P1331, PH-020-168 NPT Ports	D60DD-20-79	3771421260	6.00	4.00	79.00
Hoist Lift / Tilt Dump; 1500 Mfg After 06/02 OEM Ref P.N.'s; FA1001 SAE Ports	D60DD-20-79	3771421260	6.00	4.00	79.00
Hoist Lift / Tilt Dump; 1560 Rod Type Mfg Pre 06/02 OEM Ref P.N.'s; H3292 NPT Ports	D70DD-9-79	3773721117	7.00	4.00	79.00
Hoist Lift / Tilt Dump; 1560 Rod Type Mfg After 06/02 OEM Ref P.N.'s; H3292 SAE Ports	D70DD-9-79	3773721117	7.00	4.00	79.00
Hoist Lift / Tilt Dump; 1500 Telescopic OEM Ref P.N.'s;	SD62DB-6-79	3771432081	Telescopic		79.00
Hoist Lift / Tilt Dump; 1500 Telescopic OEM Ref P.N.'s; 020116, PH-020-116	SD63DB-20-115.81	3771433943	Telescopic		115.81
Hoist Lift / Tilt Dump; 1560 Telescopic OEM Ref P.N.'s; H2208	SD73DB-10-115	3772533078	Telescopic		115.75
Stinger Tail Extend OEM Ref P.N.'s; A1162	3782000052	3782000052	4.00	2.00	48.00
Stinger Tail Extend OEM Ref P.N.'s; A5340	D30DD-17-48	3770521119	3.50	1.50	48.00

CROSSOVER AND APPLICATION DATA IS FOR REFERENCE ONLY.  
NO OTHER CONDITIONS ARE EXPRESSED OR IMPLIED.



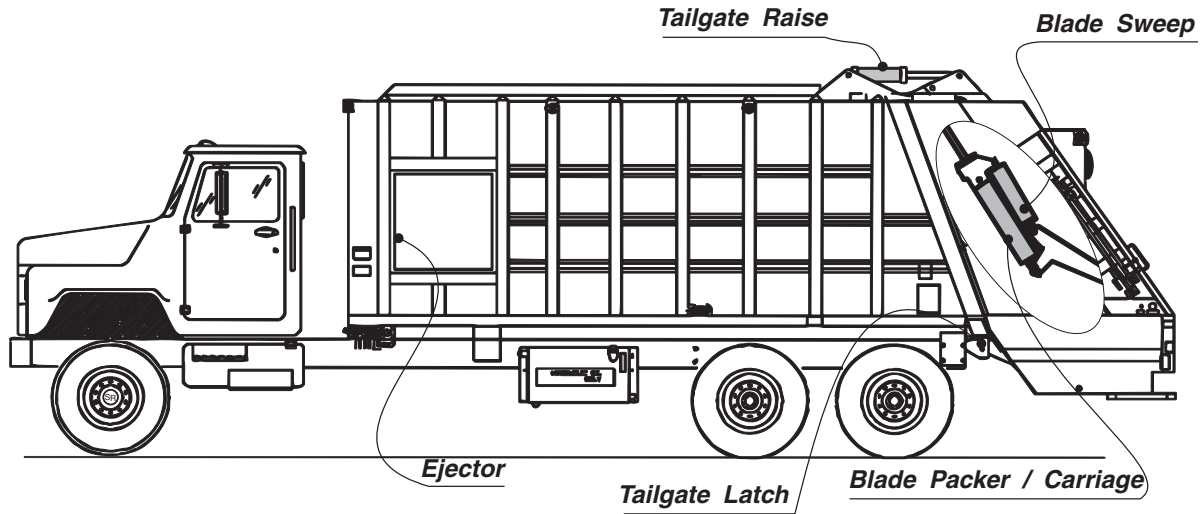
**G & H Manufacturing 1700 Roll-Off Trailer**



<u>Cylinder Function</u>	<u>Parker Eng#</u>	<u>Parker Number</u>	<u>Bore</u>	<u>Rod</u>	<u>Stroke</u>
Reeving / Cable / Winch; Mfg Pre 06/02 OEM Ref P.N.'s; H3291, P1331, PH-020-168 NPT Ports	D60DD-20-79	3771421260	6.00	4.00	79.00
Reeving / Cable / Winch; Mfg After 06/02 OEM Ref P.N.'s; FA1001 SAE Ports	D60DD-20-79	3771421260	6.00	4.00	79.00
Hoist Lift / Tilt Dump; Mfg Pre 06/02 OEM Ref P.N.'s; H3291, P1331, PH-020-168 NPT Ports	D60DD-20-79	3771421260	6.00	4.00	79.00
Hoist Lift / Tilt Dump; Mfg After 06/02 OEM Ref P.N.'s; FA1001 SAE Ports	D60DD-20-79	3771421260	6.00	4.00	79.00

CROSSOVER AND APPLICATION DATA IS FOR REFERENCE ONLY.  
NO OTHER CONDITIONS ARE EXPRESSED OR IMPLIED.

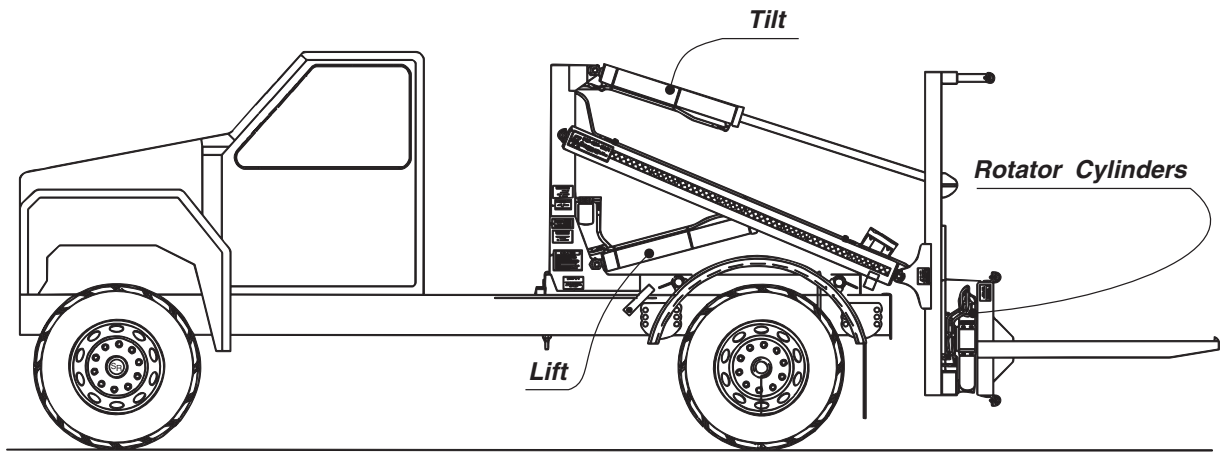
**G & H Manufacturing R-90 Recycling Rear Loader**



<u>Cylinder Function</u>	<u>Parker Eng#</u>	<u>Parker Number</u>	<u>Bore</u>	<u>Rod</u>	<u>Stroke</u>
Blade Packer / Carriage OEM Ref P.N.'s; A2610, H1234, PH-020-803	D50CD-4-30	3777921071	5.00	2.00	30.00
Blade / Sweep OEM Ref P.N.'s; A4456, H1238	D45DD-8-16.75	3774121038	4.50	2.50	16.75
Tailgate Raise OEM Ref P.N.'s; A4455, H1235	D40DD-22-15	3776821087	4.00	1.50	15.00
Tailgate Latch OEM Ref P.N.'s; A2823	D25AA-2-3.00	3772621143	2.50	1.25	3.00
Ejector Push Out, 25 Yd OEM Ref P.N.'s; H1232, 5530002	SD53CB-16-133	3771533093	Telescopic		133.50
Ejector Push Out, 30 Yd OEM Ref P.N.'s; H1233, 5530001	SD53CB-16-150	3771533094	Telescopic		150.00

CROSSOVER AND APPLICATION DATA IS FOR REFERENCE ONLY.  
NO OTHER CONDITIONS ARE EXPRESSED OR IMPLIED.

**G & H Manufacturing 8000 & 8000R Container Carrier**

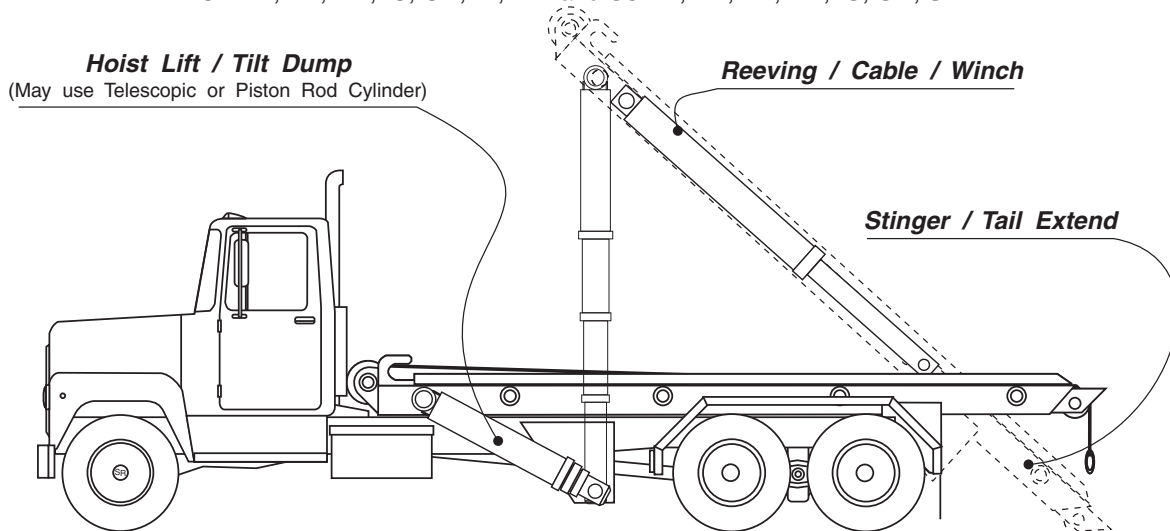


<u>Cylinder Function</u>	<u>Parker Eng#</u>	<u>Parker Number</u>	<u>Bore</u>	<u>Rod</u>	<u>Stroke</u>
Tilt OEM Ref H1020, PH-020-002	D40CD-16-29.50	3776821091	4.00	2.00	29.50
Tilt OEM Ref A1530	N/A		4.00	2.00	29.50
Lift OEM Ref H1018, PH-020-023	D40CD-15-31.88	3776821090	4.00	2.00	32.00
Lift OEM Ref A2116	N/A		4.00	2.00	32.00
Rotator OEM Ref A3689, H1019, PH-020-021	N/A		3.50		16.00

CROSSOVER AND APPLICATION DATA IS FOR REFERENCE ONLY.  
NO OTHER CONDITIONS ARE EXPRESSED OR IMPLIED.

**Galbreath Roll-Off**

U4-EH, EX, HH, IO, OR, IH, MM and U5-DL, EH, EX, HH, IO, OR, SI

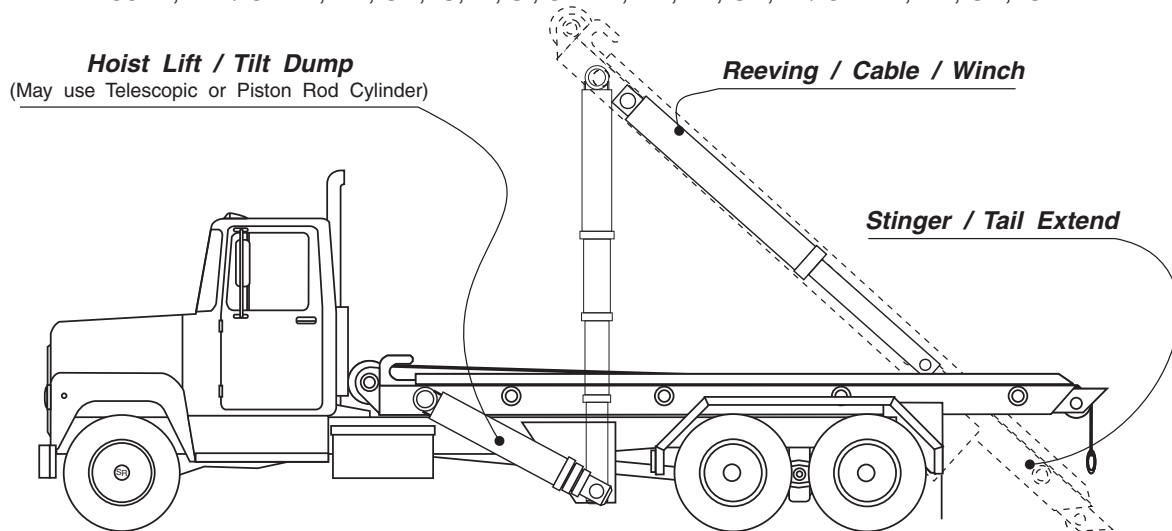


<b>U4-EH-156 &amp; -174 / U4-EX-156 &amp; -175 / U4-HH-156 &amp; -174 / U4-IO-156, -174 &amp; -182 / U4-OR-156, -174 -182 / U4-IH / U4-MM</b>	<b>Cylinder Function</b>	<b>Parker Eng#</b>	<b>Parker Number</b>	<b>Bore</b>	<b>Rod</b>	<b>Stroke</b>
	Reeving / Cable / Winch; -156 OEM Ref P.N.'s; 2477, 8433, A1245, A2084, A3117	D60LN-2-75	3771421148	6.00	3.00	75.00
	Reeving / Cable / Winch; -174 & -182 OEM Ref P.N.'s; 1040, 2476, 4815, 9889, A2203, A3119	D60LN-2-80	3771421145	6.00	3.00	80.00
	Hoist Lift / Tilt Dump; -156 & -174 OEM Ref P.N.'s; 1039, 1043, 1126, 3412, 9920, A1527, A1793, A3137, B1043	D60DB-23-72	3771421262	6.00	4.50	72.00
	Hoist Lift / Tilt Dump; U4-MM OEM Ref P.N.'s; 2494, 3131, 3242, 3903, A2213 A3171, A3381	SD62CB-12-94	3771432078	Telescopic		94.00
	Stinger Tail Extend; -EX- & -EH- OEM Ref P.N.'s; 1031, 2464, 3074, 4636, A3091	D35BB-1-80	3774021012	3.50	2.50	80.00
<b>U5-DL-156, -174 &amp; -194 / U5-EH-174 / U5-EX-156, -174 &amp; -194 / U5-HH-156, -174 &amp; -194 / U5-IO-156, -174, -182 &amp; 194 / U5-OR-156, -174, -182 &amp; 194 / U5-SI-186</b>						
	Reeving / Cable / Winch; -156 OEM Ref P.N.'s; 2452, 9924, A1896, A2452, A3145	D70LN-2-75	3773721021	7.00	3.00	75.00
	Reeving / Cable / Winch; -174, -182, -186 OEM Ref P.N.'s; 1054, 2460, 9921, A1529, A1717, A1897, A1968, A3147, B2460	D70LN-5-80	3773721139	7.00	3.00	80.00
	Reeving / Cable / Winch; -194 OEM Ref P.N.'s; 2455, 2463, 9846, A1898, A1969, A3149, B2455	D70LN-5-90	3773721140	7.00	3.00	90.00
	Hoist Lift / Tilt Dump; -156, -174, 182, 186 OEM Ref P.N.'s; 1039, 1043, 1126, 3412, 9920, A1527, A1793, A3137, B1043	D60DB-23-72	3771421262	6.00	4.50	72.00
	Hoist Lift / Tilt Dump; -194 OEM Ref P.N.'s; 2419, 3116, 3139, 3902, A2083, A3167, A3377	SD62CB-12-114	3771432079	Telescopic		114.00
	Stinger Tail Extend; -EX- & -EH- OEM Ref P.N.'s; 1031, 2464, 3074, 4636, A3091	D35BB-1-80	3774021012	3.50	2.50	80.00
	Stinger Tail Extend; -IX- OEM Ref P.N.'s; 1656, 3429, 4191, 4635, A3089	D35BB-1-60	3774021011	3.50	2.50	60.00

CROSSOVER AND APPLICATION DATA IS FOR REFERENCE ONLY.  
NO OTHER CONDITIONS ARE EXPRESSED OR IMPLIED.

**Galbreath Roll-Off**

U5-IH, MM / UT-EX, HH, OR, IO, IX, SI, UX-EX, HH, DL, OR, IX / UM-EX, HH, OR, IO



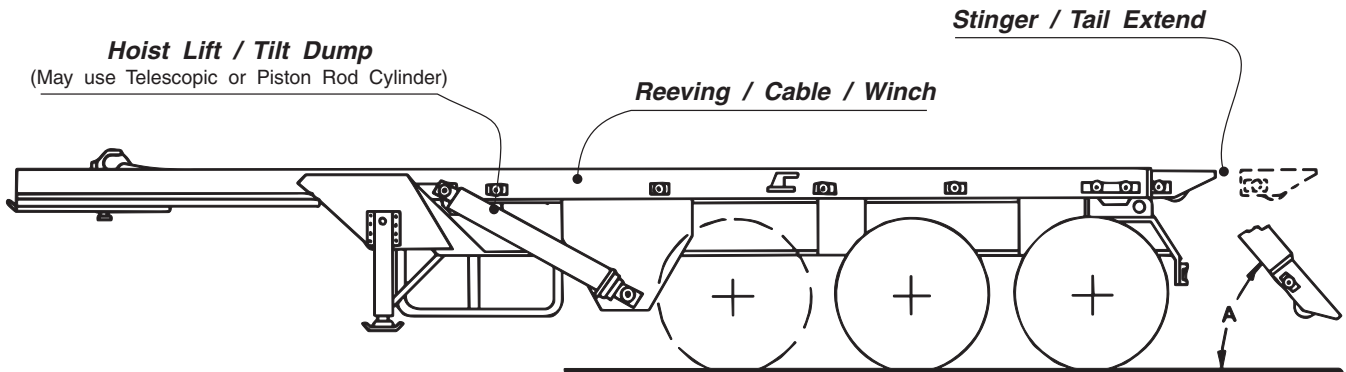
<b>U5-IH-156 &amp; -174 / U5-MM-156 &amp; -174 / UT-EX-174 &amp; -194 / UT-HH-174 &amp; -194 / UT-OR-174 &amp; -194 / UT-IO-174, 182 &amp; -194 / UT-IX-174, 182 &amp; -194 / UT-SI-186 / UX-EX-169 / UX-HH-169 / UX-DL-169 / UX-OR-178 / UX-IO-178 / UM-EX-194 / UM-HH-194 / UM-OR-194 / UM-IO-194 / UX5</b>					
<u>Cylinder Function</u>	<u>Parker Eng#</u>	<u>Parker Number</u>	<u>Bore</u>	<u>Rod</u>	<u>Stroke</u>
Reeving / Cable / Winch; -156 OEM Ref P.N.'s; 2452, 9924, A1896, A2452, A3145	D70LN-2-75	3773721021	7.00	3.00	75.00
Reeving / Cable / Winch; -169, -174, -178, -182, -186 UM-HH-194 OEM Ref P.N.'s; 1054, 2460, 9921, A1529, A1717, A1897, A1968, A3147, B2460	D70LN-5-80	3773721139	7.00	3.00	80.00
Reeving / Cable / Winch; -194 OEM Ref P.N.'s; 2455, 2463, 9846, A1898, A1969, A3149, B2455	D70LN-5-90	3773721140	7.00	3.00	90.00
Hoist Lift / Tilt Dump; IH-174 OEM Ref P.N.'s; 1039, 1043, 1126, 3412, 9920, A1527, A1793, A3137, B1043	D60DB-23-72	3771421262	6.00	4.50	72.00
Hoist Lift / Tilt Dump; UM-EX, UM-HH, UM-OR UM-IO OEM Ref P.N.'s; 2420, 8973, A2212, A3169, A3379	SD62CB-12-79	3771432077	Telescopic		79.00
Hoist Lift / Tilt Dump; IH-156, MM, UX-EX, UX-HH UX-DL, UX-OR, UX-IO, UX-5 OEM Ref P.N.'s; 2494, 3131, 3242, 3903, A2213 A3171, A3381	SD62CB-12-94	3771432078	Telescopic		94.00
Hoist Lift / Tilt Dump; UT-IO-194 OEM Ref P.N.'s; 2419, 3116, 3139, 3902, A2083, A3167, A3377	SD62CB-12-114	3771432079	Telescopic		114.00
Hoist Lift / Tilt Dump; UT-EX-, UT-HH-, UT-OR-, UT-IO-174 & -182, -IX-, -SI- OEM Ref P.N.'s; 1111, A1606, A1745, A3173, A3383	SD63CB-23-118	3771433922	Telescopic		118.00
Stinger Tail Extend; -EX-, -IX- OEM Ref P.N.'s; 1031, 2464, 3074, 4636, A3091	D35BB-1-80	3774021012	3.50	2.50	80.00

CROSSOVER AND APPLICATION DATA IS FOR REFERENCE ONLY.  
NO OTHER CONDITIONS ARE EXPRESSED OR IMPLIED.

# Galbreath Roll-Off Trailers

## Galbreath Roll-Off Trailer

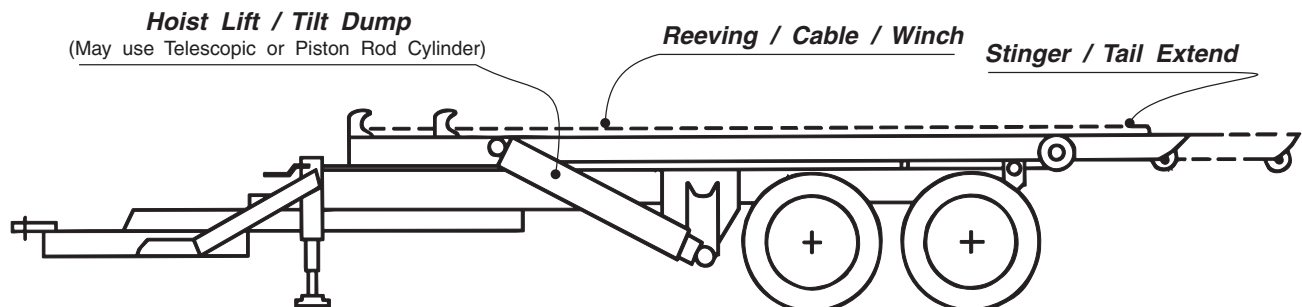
A5-EX-200 & -250, A5-OR-200 & -250, A5-IO-200 & -250, A5-HH-200 & -250, A5-DL-200 & -250



Cylinder Function	Parker Eng#	Parker Number	Bore	Rod	Stroke
Reeving / Cable / Winch; -200 OEM Ref P.N.'s; 2455, 2463, 9846, A1898, A1969, A3149, B2455	D70LN-5-90	3773721140	7.00	3.00	90.00
Reeving / Cable / Winch; -250 OEM Ref P.N.'s; 1124, 1163, , 2461, 3130, 9922 A1899, A3143, B2461	D70LN-2-108	3773721022	7.00	3.00	108.00
Hoist Lift / Tilt Dump; -200 OEM Ref P.N.'s; 2420, 8973, A2212, A3169, A3379	SD62CB-12-79	3771432077	Telescopic		79.00
Hoist Lift / Tilt Dump; -250 OEM Ref P.N.'s; 1111, A1606, A1745, A3173, A3383	SD63CB-23-118	3771433922	Telescopic		118.00
Stinger Tail Extend; -EX- OEM Ref P.N.'s; 1031, 2464, 3074, 4636, A3091	D35BB-1-80	3774021012	3.50	2.50	80.00

## Galbreath TT Trailer

TT-OR-176, TT-EX-176, TT-IO-176, TT-HH-176, TT-DL-176

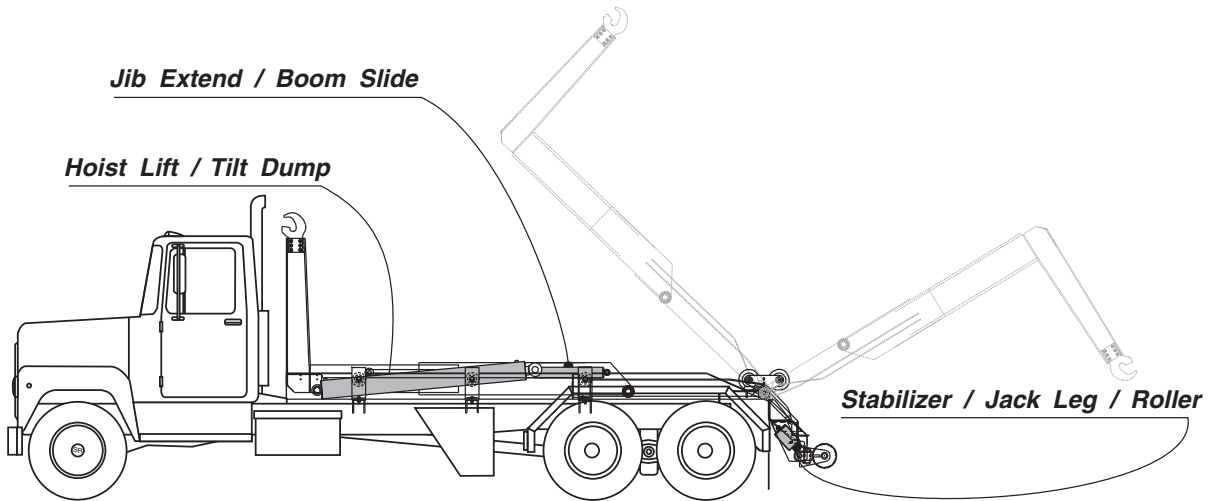


Cylinder Function	Parker Eng#	Parker Number	Bore	Rod	Stroke
Reeving / Cable / Winch; OEM Ref P.N.'s; 1040, 2476, 4815, 9889, A2203, A3119	D60LN-2-80	3771421145	6.00	3.00	80.00
Hoist Lift / Tilt Dump; OEM Ref P.N.'s; 1944, A2202, A3165	SD52CB-7-79	3771532059	Telescopic		79.00
Stinger Tail Extend; -EX- OEM Ref P.N.'s; 1031, 2464, 3074, 4636, A3091	D35BB-1-80	3774021012	3.50	2.50	80.00

CROSSOVER AND APPLICATION DATA IS FOR REFERENCE ONLY.  
NO OTHER CONDITIONS ARE EXPRESSED OR IMPLIED.

**Galbreath Hook Lift Roll-Off**

U13-HL, U20-HK, U30-HK, U5-HK, U6-HK



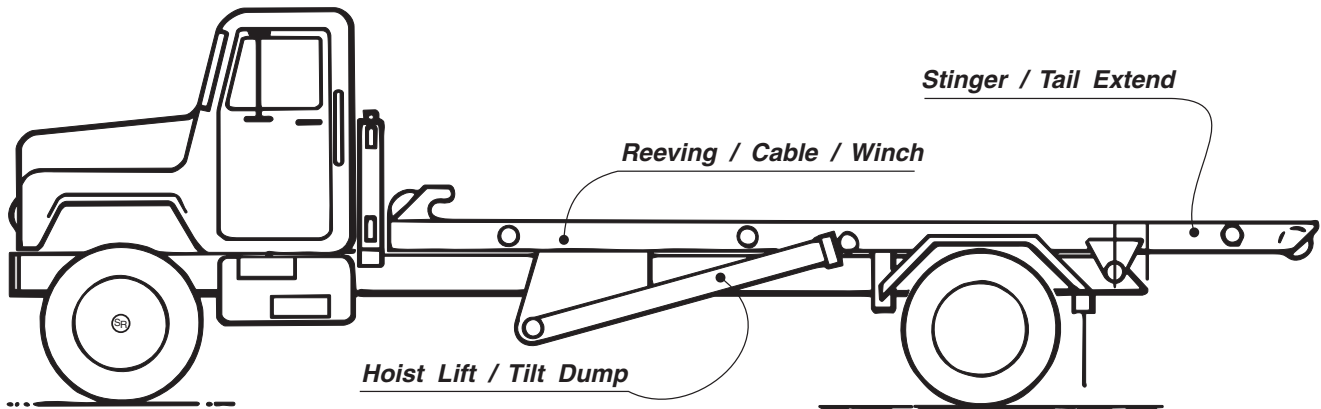
<u>Cylinder Function</u>	<u>Parker Eng#</u>	<u>Parker Number</u>	<u>Bore</u>	<u>Rod</u>	<u>Stroke</u>
Jib Extend; U13-HL, U20-HL OEM Ref P.N.'s; 9933, A1888, A3081	D30BB-1-37	3770521068	3.00	2.00	37.00
Jib Extend; U30-HL, U5-HL, U6-HL OEM Ref P.N.'s; 9780, A1889, A3101	D40BB-1-48	3770821034	4.00	2.50	48.00
Hoist Lift / Tilt Dump; U13-HL, U20-HL OEM Ref P.N.'s; 9932, A1890, A2077, A2152, A3109	D50BB-3-52	3777921016	5.00	3.00	52.00
Hoist Lift / Tilt Dump; U30-HL OEM Ref P.N.'s; A1213, A1453, A3123	D60DC-9-78	3771421163	6.00	3.50	78.00
Hoist Lift / Tilt Dump; U5-HL, U6-HL OEM Ref P.N.'s; 9566, A1528, A3151	D70DC-2-81	3772521104	7.00	3.50	81.00
Stabilizer / Jack Leg; U6-HK OEM Ref P.N.'s; 3091, 3106, 7392, 9500, 9872 A1891, A3115	D60BB-3-4.81	3771421139	6.00	3.00	4.81

CROSSOVER AND APPLICATION DATA IS FOR REFERENCE ONLY.  
NO OTHER CONDITIONS ARE EXPRESSED OR IMPLIED.

# Galbreath Single Axle Roll-Off

## Galbreath Single Axle Roll-Off

U2-EX, U2-OR, U3-EX, U3-IO, U3-OR, MB-EX and MB-OR

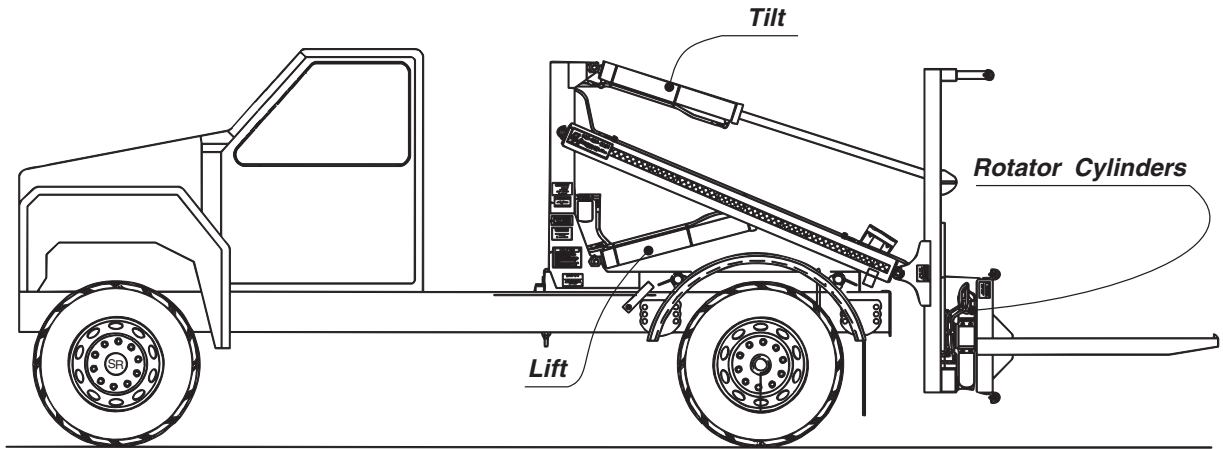


<u>Cylinder Function</u>	<u>Parker Eng#</u>	<u>Parker Number</u>	<u>Bore</u>	<u>Rod</u>	<u>Stroke</u>
Reeving / Cable / Winch; U2-EX-119 OEM Ref P.N.'s; 9015, A3111	D50DB-5-54	3777921010	5.00	3.00	54.00
Reeving / Cable / Winch; 138 & 156 OEM Ref P.N.'s; 3467, 3511, 3520, 3760, 4272, 4321 9009, A2201, A3113	D50DB-8-66	3777921013	5.00	3.00	66.00
Hoist Lift / Tilt Dump; OEM Ref P.N.'s; 9015, A3111	D50DB-5-54	3777921010	5.00	3.00	54.00
Stinger Tail Extend; -EX- OEM Ref P.N.'s; 1656, 3429, 4191, 4635, A3089	D35BB-1-60	3774021011	3.50	2.50	60.00

CROSSOVER AND APPLICATION DATA IS FOR REFERENCE ONLY.  
NO OTHER CONDITIONS ARE EXPRESSED OR IMPLIED.



**Galbreath CH8000 CHR8000 Container Carrier**



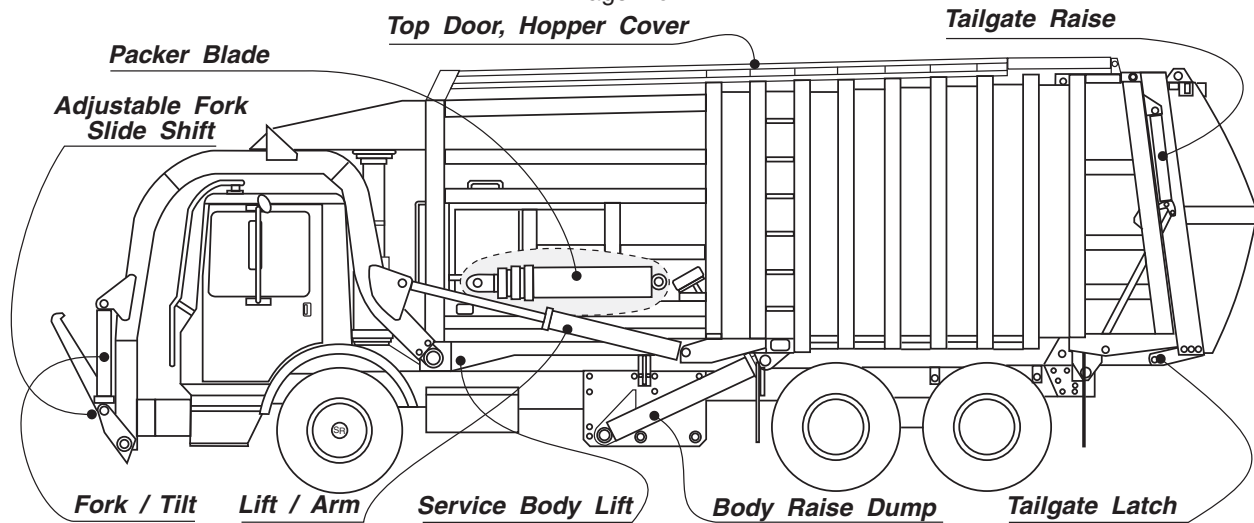
<u>Cylinder Function</u>	<u>Parker Eng#</u>	<u>Parker Number</u>	<u>Bore</u>	<u>Rod</u>	<u>Stroke</u>
Tilt OEM Ref 3891, A2190	D40CD-16-29.50	3776821091	4.00	2.00	29.50
Lift OEM Ref 3890, A2189	D35CD-8-32	3774021015	3.50	2.00	32.00
Rotator OEM Ref	N/A				

CROSSOVER AND APPLICATION DATA IS FOR REFERENCE ONLY.  
NO OTHER CONDITIONS ARE EXPRESSED OR IMPLIED.

# Heil Half Pack III Front Loader

## Heil Half Pack III Front Loader

Page 1 of 2



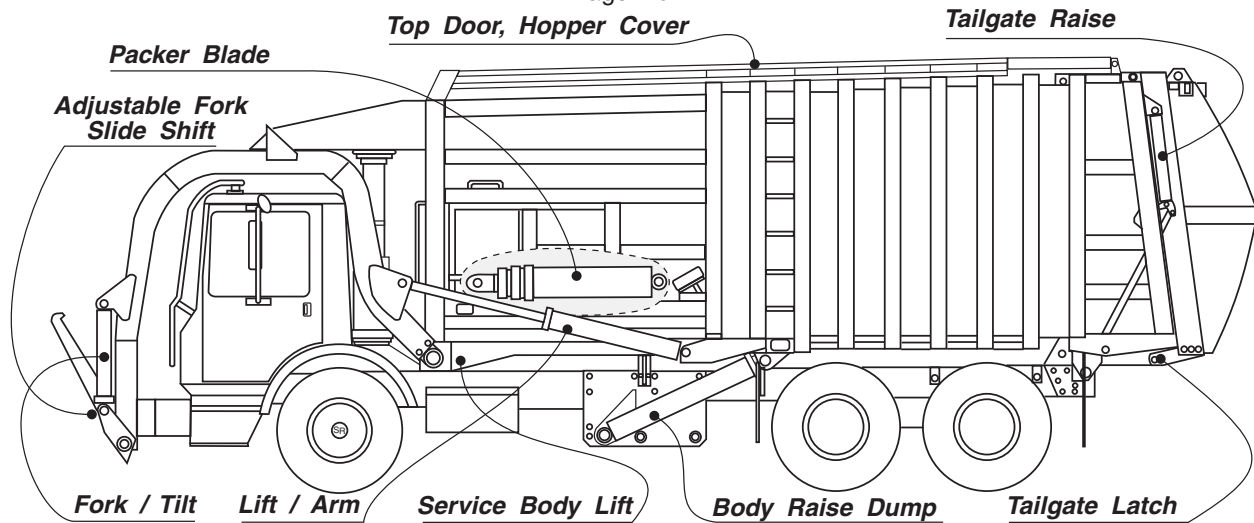
<u>Cylinder Function</u>	<u>Parker Eng#</u>	<u>Parker Number</u>	<u>Bore</u>	<u>Rod</u>	<u>Stroke</u>
Arm / Lift OEM Ref P.N.'s; 1-4871	D45CC-14-41.50	3774121035	4.50	2.50	41.50
Arm / Lift OEM Ref P.N.'s; 1-5098, 1-5150, 1-6370, 1-6388	D45CC-19-41.50	3774121041	4.50	2.50	41.50
Fork / Tilt OEM Ref P.N.'s; 1-4868, 1-6369, 1-6669, 1-6777	D40CD-14-25	3776821084	4.00	2.00	25.00
Fork / Tilt With 3" Stop OEM Ref P.N.'s; 1-4903, 1-6384, 1-6670	D40CD-8-22	3776821067	4.00	2.00	22.00
Fork / Tilt With 6" Stop OEM Ref P.N.'s; 1-6126, 1-6385, 1-6671	D40CC-27-19	3776821094	4.00	2.00	19.00
Adjustable Fork / Slide Shift OEM Ref P.N.'s; 1-4876	N/A	N/A	1.50	1.00	
Top Door 28 Yd Body OEM Ref P.N.'s; 1-3717, 1-6386	D25LD-2-90	3772621121	2.50	1.50	90.00
Top Door 23 Yd Body OEM Ref P.N.'s; 1-3719, 1-6387	N/A	N/A	2.50	1.50	68.00
Tailgate Raise, Shur-Lock OEM Ref P.N.'s; 1-5088, 1-6521, 1-6721	D30CC-17-28.19	3770521108	3.00	1.75	28.18
Tailgate Raise OEM Ref P.N.'s; 1-4870	D30CL-2-25.25	3770521093	3.00	1.50	25.25
Tailgate Latch OEM Ref P.N.'s; 1-3727, 1-6153, 1-6522, 1-6720	D30CA-2-3.62	3770521101	3.00	1.50	3.63

CROSSOVER AND APPLICATION DATA IS FOR REFERENCE ONLY.  
NO OTHER CONDITIONS ARE EXPRESSED OR IMPLIED.

# Heil Half Pack III Front Loader

## Heil Half Pack III Front Loader

Page 1 of 2



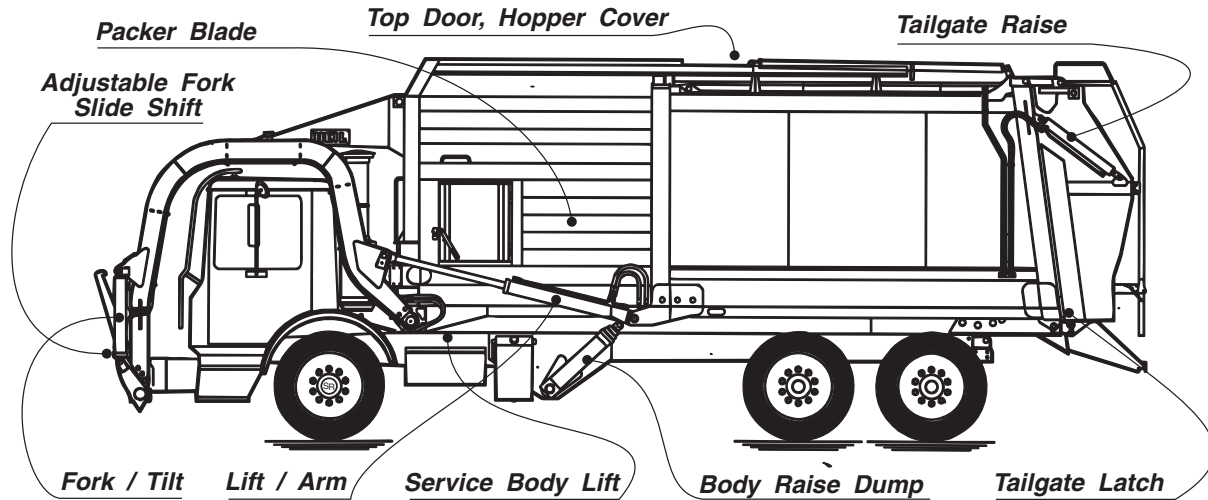
<u>Cylinder Function</u>	<u>Parker Eng#</u>	<u>Parker Number</u>	<u>Bore</u>	<u>Rod</u>	<u>Stroke</u>
Packer Blade, IIIE OEM Ref P.N.'s; 1-4906, 1-5112, 1-6075, 1-6100, 1-6250, 1-6257	SD53CD-4-169	3771933018	Telescopic		169.75
Packer Blade, IIIE 28 Yd OEM Ref P.N.'s; 1-4881, 1-4911, 1-6096, 1-6099, 1-6255, 1-6256	SD53CD-4-182	3771933016	Telescopic		182.00
Packer Blade, IIIE 23 YD OEM Ref P.N.'s; 1-5070, 1-5149, 1-6078, 1-6252, 1-6316, 1-6598	SD53CC-51-151.5	3771933036	Telescopic		151.50
Packer Blade, IIIE 28 Yd OEM Ref P.N.'s; 1-5147, 1-6076, 1-6247, 1-6318 1-6597	SD53CC-51-182	3771933032	Telescopic		182.00
Service Body Lift OEM Ref P.N.'s; 1-3735	N/A	N/A			
Packer Blade, IIID Gravity Dump OEM Ref P.N.'s; 1-5146, 1-6230, 1-6525	D55CC-6-63	3771921033	5.50	4.00	63.00
Packer Blade, IIID Gravity Dump OEM Ref P.N.'s; 1-4882	D55DB-2-63	3771921035	5.50	4.00	63.00
Body Raise Dump OEM Ref P.N.'s; 1-4869	D50DC-3-45	3777921070	5.00	3.50	45.00
Body Raise Dump, Pusher Axle III OEM Ref P.N.'s; 1-4854	S63DC-80-74.18	3771413261	Telescopic		74.19
Body Raise Dump OEM Ref P.N.'s; 1-4891, 1-6121	S52DB-9-67.50	3771512080	Telescopic		67.50
Body Raise Dump OEM Ref P.N.'s; 1-6140	N/A	N/A	Telescopic		

CROSSOVER AND APPLICATION DATA IS FOR REFERENCE ONLY.  
NO OTHER CONDITIONS ARE EXPRESSED OR IMPLIED.

# Heil Front Loader

## Heil Dura-Pack Half/Pack Front Loader

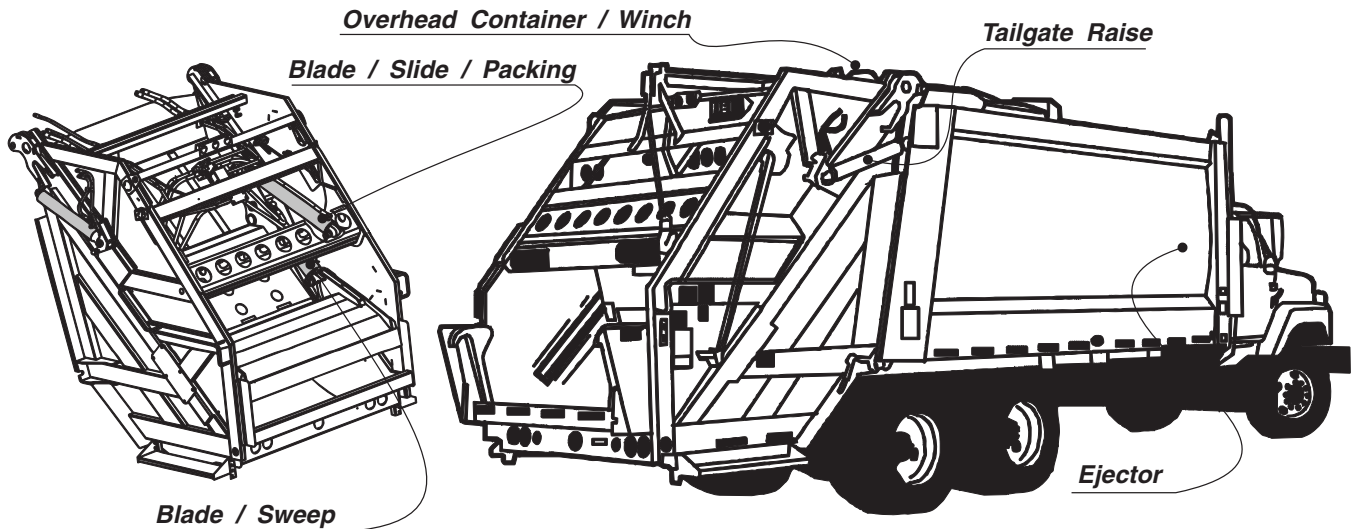
Serial Numbers HPD4501000, HPE4601000 & HPS4701000 and AFTER



<u>Cylinder Function</u>	<u>Parker Eng#</u>	<u>Parker Number</u>	<u>Bore</u>	<u>Rod</u>	<u>Stroke</u>
Arm / Lift OEM Ref P.N.'s: 1-5098, 1-5150, 1-6370, 1-6388	D45CC-19-41.50	3774121041	4.50	2.50	41.50
Fork / Tilt OEM Ref P.N.'s: 1-4868, 1-6369, 1-6669, 1-6777	D40CD-14-25	3776821084	4.00	2.00	25.00
Fork / Tilt With 3" Stop OEM Ref P.N.'s: 1-4903, 1-6384, 1-6670	D40CD-8-22	3776821067	4.00	2.00	22.00
Fork / Tilt With 6" Stop OEM Ref P.N.'s: 1-6126, 1-6385, 1-6671	D40CC-27-19	3776821094	4.00	2.00	19.00
Adjustable Fork / Slide Shift OEM Ref P.N.'s: 1-3798	D15CD-6-21	3776921021	1.50	1.00	21.00
Adjustable Fork / Slide Shift OEM Ref P.N.'s: 1-4876	N/A	N/A	1.50	1.00	13.12
Top Door 28 Yd Body OEM Ref P.N.'s: 1-3717, 1-6386	D25LD-2-90	3772621121	2.50	1.50	90.00
Top Door 23 Yd Body OEM Ref P.N.'s: 1-3719, 1-6387	N/A	N/A	2.50	1.50	68.00
Tailgate Raise OEM Ref P.N.'s: 1-5088, 1-6521, 1-6721	D30CC-17-28.19	3770521108	3.00	1.75	28.18
Tailgate Latch OEM Ref P.N.'s: 1-3727, 1-6153, 1-6522, 1-6720	D30CA-2-3.62	3770521101	3.00	1.50	3.63
Packer Blade, HPD45 Gravity Dump OEM Ref P.N.'s: 1-5146, 1-6230, 1-6525	D55CC-6-63	3771921033	5.50	4.00	63.00
Packer Blade, HPE46 & HPS47 23 Yd OEM Ref P.N.'s: 1-5070, 1-5149, 1-6078, 1-6252, 1-6316, 1-6598	SD53CC-51-151.5	3771933036	Telescopic		151.00
Packer Blade, HPE46 & HPS47 28 Yd OEM Ref P.N.'s: 1-5147, 1-6076, 1-6247, 1-6318, 1-6597	SD53CC-51-182	3771933032	Telescopic		182.00
Service Body Lift, HPS47 OEM Ref P.N.'s: 1-3735	N/A	N/A			
Body Raise Dump, HPD45 Gravity Dump OEM Ref P.N.'s: 1-4891, 1-6121	S52DB-9-67.50	3771512080	Telescopic		67.50
Body Raise Dump, HPD45 Gravity Dump OEM Ref P.N.'s: 1-6425	S52CC-41-67.25	3771512091	Telescopic		67.25

CROSSOVER AND APPLICATION DATA IS FOR REFERENCE ONLY.  
NO OTHER CONDITIONS ARE EXPRESSED OR IMPLIED.

**Heil Big Bite Rear Loader**



<u>Cylinder Function</u>	<u>Parker Eng#</u>	<u>Parker Number</u>	<u>Bore</u>	<u>Rod</u>	<u>Stroke</u>
Blade / Slide / Packing OEM Ref P.N.'s; 1-6456	D55CC-9-35.88	3771921041	5.50	4.00	35.88
Blade / Sweep OEM Ref P.N.'s; 1-6457	D55CC-7-24	3771921039	5.50	3.50	24.00
Tailgate Raise OEM Ref P.N.'s; 1-6570	D50LC-2-24.50	3777921068	5.00	3.50	24.50
Tailgate Raise OEM Ref P.N.'s; 1-4880	S35CC-3-24.38	3776815002	4.00	3.50	24.38
Overhead Container Winch Reeving OEM Ref P.N.'s; 1-6061	D55CB-6-52.88	3771921038	5.50	4.00	52.88
Container Dump, Roll Bar OEM Ref P.N.'s; 1-4105	D25CC-10-14.12	3772621119	2.50	1.50	14.12
Container Dump; Arm Type OEM Ref P.N.'s; 1-2105, 1-3513, 1-4283,	D30CL-3-18.44	3770521099	3.00	1.50	18.44
Ejector Push Out, 18 Yd OEM Ref P.N.'s; 1-6429	N/A		Telescopic		
Ejector Push Out, 20 Yd OEM Ref P.N.'s; 1-6428	N/A		Telescopic		
Ejector Push Out, 25 Yd OEM Ref P.N.'s; 1-6427	SD64DC-7-133.12	3771434058	Telescopic		133.12
Ejector Push Out, 27 Yd OEM Ref P.N.'s; 1-6426	N/A		Telescopic		147.80
Ejector Push Out, 32 Yd OEM Ref P.N.'s; 1-6421	N/A		Telescopic		173.00

CROSSOVER AND APPLICATION DATA IS FOR REFERENCE ONLY.  
NO OTHER CONDITIONS ARE EXPRESSED OR IMPLIED.

# Heil Formula 5000 Rear Loader

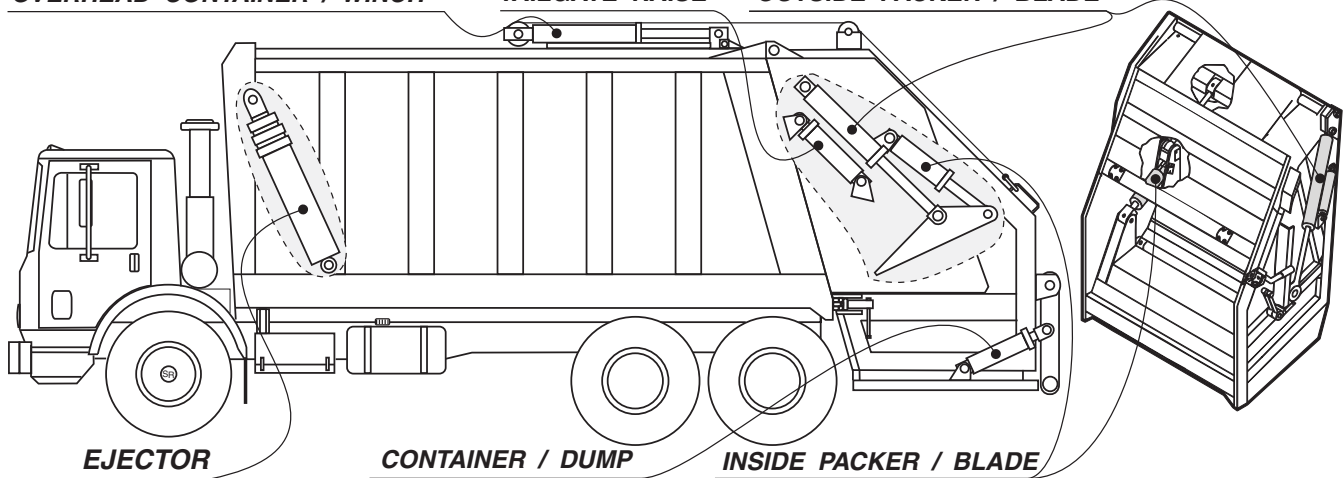
## Heil Formula 5000 Rear Loader

Page 1 of 2

**OVERHEAD CONTAINER / WINCH**

**TAILGATE RAISE**

**OUTSIDE PACKER / BLADE**

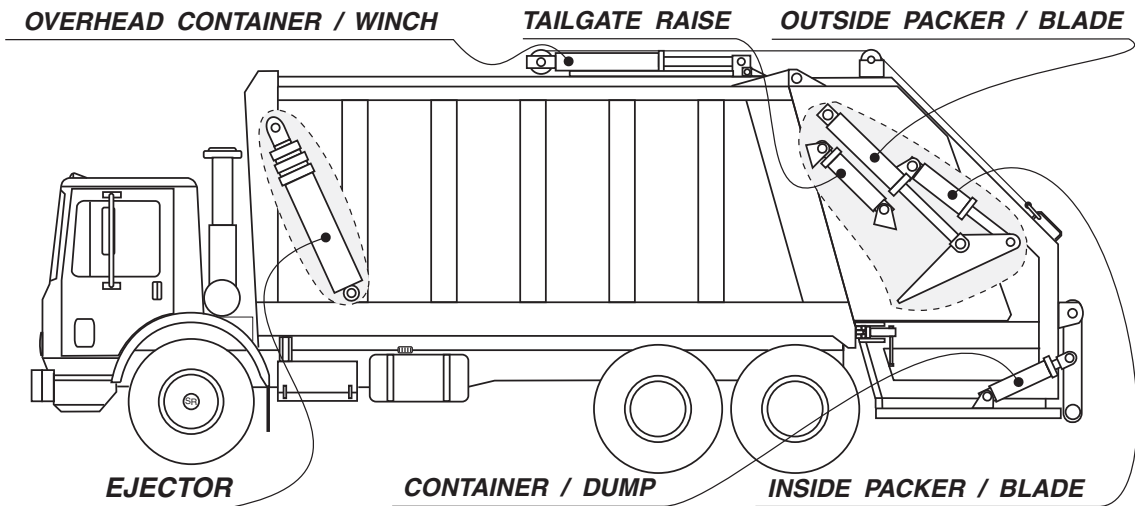


<u>Cylinder Function</u>	<u>Parker Eng#</u>	<u>Parker Number</u>	<u>Bore</u>	<u>Rod</u>	<u>Stroke</u>
Outside Packer / Blade; New Style OEM Ref P.N.'s; 1-4824, 1-4828, 1-4884, 1-5110, 1-6610	D50CC-27-36	3777921093	5.00	2.50	36.00
Outside Packer / Blade; Old Style OEM Ref P.N.'s; 1-4093	D50CC-23-36	3777921065	5.00	2.50	36.00
Inside Packer / Blade Sweep; New Style OEM Ref P.N.'s; 1-4347, 1-4887, 1-5111, 1-6611	D55CC-10-24.25	3771921043	5.50	3.50	24.25
Inside Packer / Blade Sweep; Old Style OEM Ref P.N.'s; 1-4094	D50CC-22-20	3777921064	5.00	3.00	20.00
Tailgate Raise; S/N 2740 & AFTER OEM Ref P.N.'s; 1-4348	S35CC-2-24.75	3776815001	4.00	3.50	24.75
Tailgate Raise; FP5014001-AFTER OEM Ref P.N.'s; 1-4880	S35CC-3-24.38	3776815002	4.00	3.50	24.38
Tailgate Raise; Old Style OEM Ref P.N.'s; 1-4272	C3876	3790003876	4.00	3.50	27.00
Container Dump, Arm Type OEM Ref P.N.'s; 1-4283	D30CL-3-18.44	3770521099	3.00	1.50	18.44
Container Dump, Roll Bar OEM Ref P.N.'s; 1-4105	D25CC-10-14.12	3772621119	2.50	1.50	14.12
Container Dump, Roll Bar Flipper OEM Ref P.N.'s; 1-4264	N/A	N/A			
Overhead Container Reeving OEM Ref P.N.'s; 1-4309	D55CB-5-49.88	3771921034	5.50	4.00	49.88
Overhead Container Reeving, S/N 8725-After OEM Ref P.N.'s; 1-6189	N/A	N/A			
Overhead Container Reeving, S/N FP5014001-AFTER OEM Ref P.N.'s; 1-6061	D55CB-6-52.88	3771921038	5.50	4.00	52.75

CROSSOVER AND APPLICATION DATA IS FOR REFERENCE ONLY.  
NO OTHER CONDITIONS ARE EXPRESSED OR IMPLIED.

**Heil Formula 5000 Rear Loader**

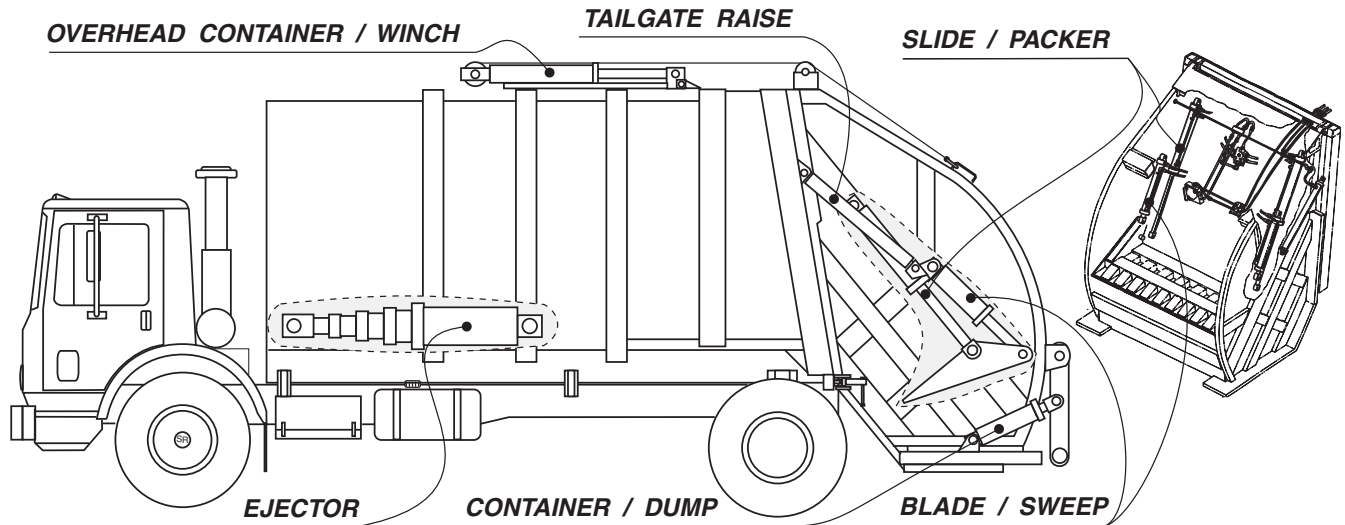
Page 2 of 2



<u>Cylinder Function</u>	<u>Parker Eng#</u>	<u>Parker Number</u>	<u>Bore</u>	<u>Rod</u>	<u>Stroke</u>
Ejector / Push Out, 18 YD S/N 2912-UP OEM Ref P.N.'s; 1-4267	SD63DB-6-93	3771433073	Telescopic		93.00
Ejector / Push Out, 20 YD S/N 2912-UP OEM Ref P.N.'s; 1-4266	SD63DB-17-108	3771433929	Telescopic		108.00
Ejector / Push Out, 25 YD S/N 2912-UP OEM Ref P.N.'s; 1-4261	SD63DB-7-132	3771433046	Telescopic		132.00
Ejector / Push Out, 32 YD S/N 2912-UP OEM Ref P.N.'s; 1-4270, 1-4343, 1-4821	SD74DB-4-171	3772534031	Telescopic		171.00
Ejector / Push Out, 18 YD S/N FP5014001-AFTER OEM Ref P.N.'s; 1-6429	N/A	N/A	Telescopic		
Ejector / Push Out, 18 YD S/N FP5014001-AFTER OEM Ref P.N.'s; 1-6463	N/A	N/A	Telescopic		
Ejector / Push Out, 20 YD S/N FP5014001-AFTER OEM Ref P.N.'s; 1-6428	N/A	N/A	Telescopic		
Ejector / Push Out, 20 YD S/N FP5014001-AFTER OEM Ref P.N.'s; 1-6464	N/A	N/A	Telescopic		
Ejector / Push Out, 25 YD S/N FP5014001-AFTER OEM Ref P.N.'s; 1-6427	SD64DC-7-133.12	3771434058	Telescopic		133.12
Ejector / Push Out, 27 YD S/N FP5014001-AFTER OEM Ref P.N.'s; 1-6426	N/A	N/A	Telescopic		147.80
Ejector / Push Out, 32 YD S/N FP5014001-AFTER OEM Ref P.N.'s; 1-6421	N/A	N/A	Telescopic		173.60

CROSSOVER AND APPLICATION DATA IS FOR REFERENCE ONLY.  
NO OTHER CONDITIONS ARE EXPRESSED OR IMPLIED.

**Heil Formula 4000 / MKIV Rear Loader**



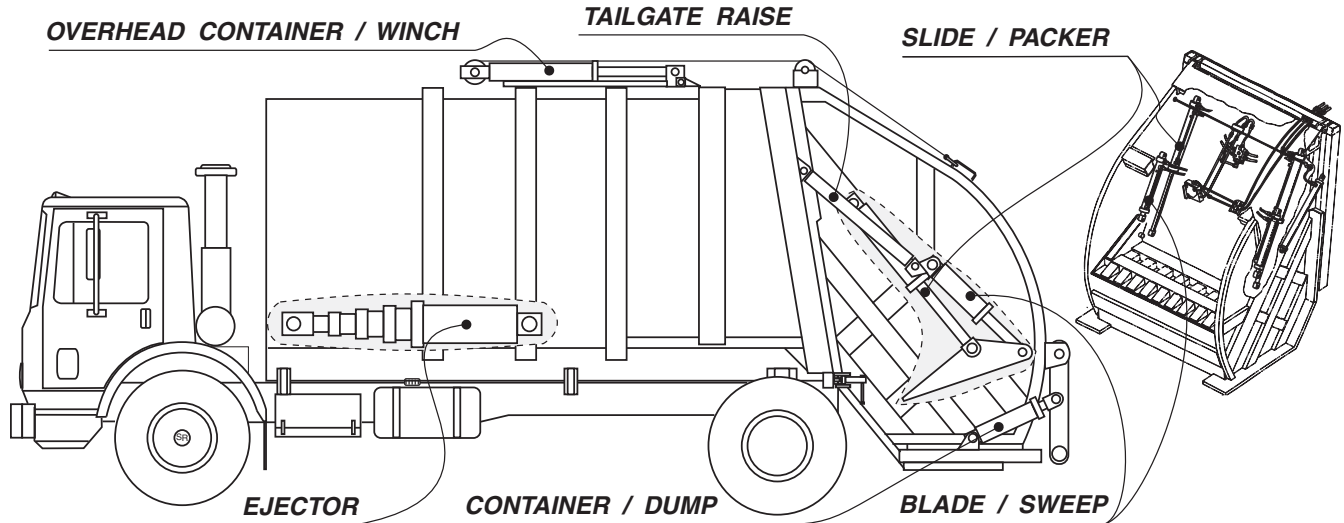
<u>Cylinder Function</u>	<u>Parker Eng#</u>	<u>Parker Number</u>	<u>Bore</u>	<u>Rod</u>	<u>Stroke</u>
Blade / Sweep, Cushioned OEM Ref P.N.'s; 1-4108, 1-4334	C3847	3790003847	4.00	2.50	21.63
Blade / Sweep, Non-Cushioned Old Style OEM Ref P.N.'s; 1-2931, 1-3672, 1-3856, 1-3902, 1-4017, 1-4100	D35CC-17-21.62	3773821056	3.50	2.25	21.63
Slide / Packer, Cushioned OEM Ref P.N.'s; 1-4081, 1-4110	C3850	3790003850	4.50	2.00	26.50
Slide / Packer, Non-Cushioned Old Style OEM Ref P.N.'s; 1-2928, 1-3635, 1-3809, 1-3921, 1-4018, 1-4101	D45CC-11-26.94	3774121027	4.50	2.00	26.94
Tailgate Raise OEM Ref P.N.'s; 1-3008, 1-3623, 1-4070	B5347	3790005347	3.00	2.50	31.25
Tailgate Raise, Light Weight OEM Ref P.N.'s; 1-4336	N/A	N/A	3.00	2.50	31.25
Container Dump, Arm Type OEM Ref P.N.'s; 1-2105, 1-3513, 1-4283	D30CL-3-18.44	3770521099	3.00	1.50	18.44
Container Dump, Roll Bar OEM Ref P.N.'s; 1-4105	D25CC-10-14.12	3772621119	2.50	1.50	14.12
Container Dump, Roll Bar Flipper OEM Ref P.N.'s; 1-5069	N/A	N/A			
Overhead Container Reeving OEM Ref P.N.'s; 1-4309	D55CB-5-49.88	3771921034	5.50	4.00	49.88
Overhead Container Reeving, S/N 4F-1014878 OEM Ref P.N.'s; 1-6189	N/A	N/A			

CROSSOVER AND APPLICATION DATA IS FOR REFERENCE ONLY.  
NO OTHER CONDITIONS ARE EXPRESSED OR IMPLIED.



Heil Formula 4000 / MKIV Rear Loader

Page 2 of 2

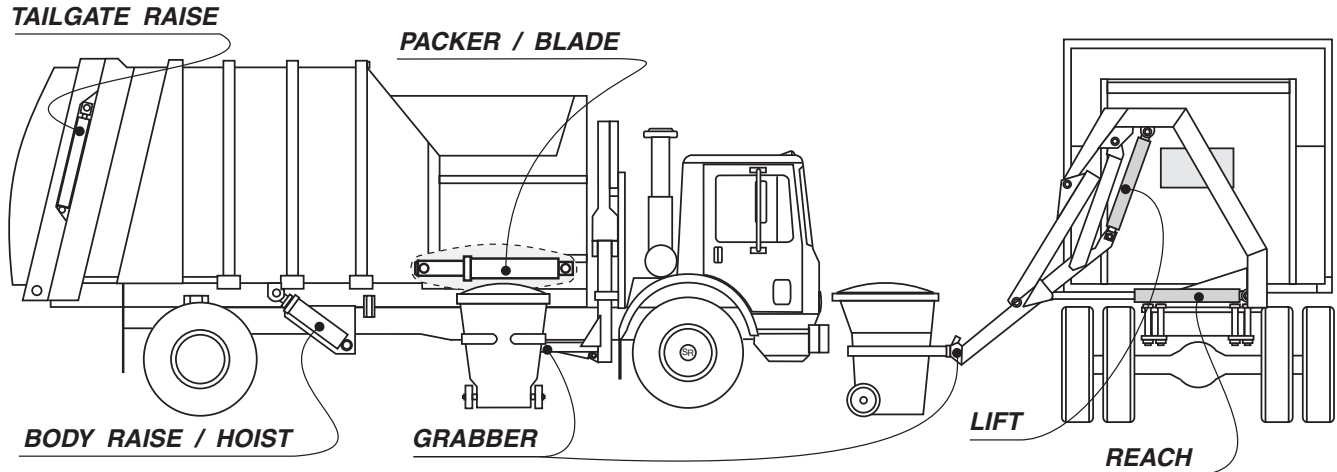


<u>Cylinder Function</u>	<u>Parker Eng#</u>	<u>Parker Number</u>	<u>Bore</u>	<u>Rod</u>	<u>Stroke</u>
Ejector / Pushout, 13 YD OEM Ref P.N.'s; 1-1348, 1-3835, 1-4051	N/A		Telescopic		89.38
Ejector / Pushout, 16 YD OEM Ref P.N.'s; 1-1281, 1-3834, 1-4052	SD53CC-25-106	3771533051	Telescopic		106.00
Ejector / Pushout, 18 YD OEM Ref P.N.'s; 1-3391, 1-3836, 1-4053	SD64CC-7-118	3771434037	Telescopic		118.00
Ejector / Pushout, 20YD OEM Ref P.N.'s; 1-1344, 1-3830, 1-3871, 1-4050	SD64CC-7-132	3771434035	Telescopic		132.00
Ejector / Pushout, 25YD OEM Ref P.N.'s; 1-2123, 1-3843, 1-4054	SD64CC-7-152	3771434036	Telescopic		152.00
Ejector / Pushout, 13YD Snout Less OEM Ref P.N.'s; 1-3741, 1-6222	N/A		Telescopic		64.75
Ejector / Pushout, 16YD Snout Less OEM Ref P.N.'s; 1-3742, 1-6223	N/A		Telescopic		81.63
Ejector / Pushout, 18YD Snout Less OEM Ref P.N.'s; 1-6224	N/A		Telescopic		96.12
Ejector / Pushout, 20YD Snout Less OEM Ref P.N.'s; 1-6225	SD64DC-6-110.34	3771434056	Telescopic		110.34
Ejector / Pushout, 25YD Snout Less OEM Ref P.N.'s; 1-6226	N/A		Telescopic		129.00

CROSSOVER AND APPLICATION DATA IS FOR REFERENCE ONLY.  
NO OTHER CONDITIONS ARE EXPRESSED OR IMPLIED.

# Heil Formula 7000 Automated Side Loader

## Heil Formula 7000 Automated Side Loader

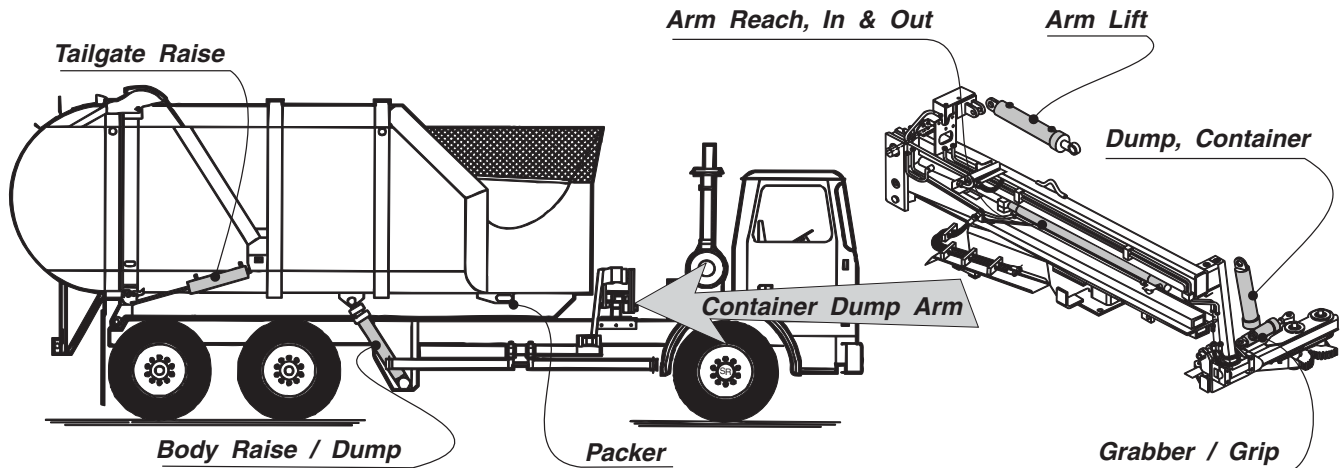


<u>Cylinder Function</u>	<u>Parker Eng#</u>	<u>Parker Number</u>	<u>Bore</u>	<u>Rod</u>	<u>Stroke</u>
Arm Lift OEM Ref P.N.'s; 1-4275, 1-4338, 1-6582	C3576	3790003576	3.00	1.50	27.62
Arm Reach OEM Ref P.N.'s; 1-4276	C3602	3790003602	3.00	1.50	30.50
Arm Reach OEM Ref P.N.'s; 1-6094	D30CC-16-30.50	3770521106	3.00	1.50	30.50
Arm Reach OEM Ref P.N.'s; 1-6364	N/A		3.00	1.50	30.50
Grabber OEM Ref P.N.'s; 1-4277, 1-4327	C3603	3790003603	3.00	1.50	11.00
Grabber; Rapid Rail Arm OEM Ref P.N.'s; 1-6169, 1-6330, 1-6331, 1-6402, 1-6416	D30CC-18-8.00	3770521110	3.00	1.12	8.00
Grabber OEM Ref P.N.'s; 1-4297	C3875	3790003875	3.00	1.50	11.00
Tailgate Raise OEM Ref P.N.'s; 1-4123, 1-4305	C4438	3790004438	3.00	1.50	25.25
Tailgate Raise OEM Ref P.N.'s; 1-5088, 1-6521, 1-6721	D30CC-17-28.19	3770521108	3.00	1.50	28.19
Tailgate Latch OEM Ref P.N.'s; 1-3727, 1-6153, 1-6522, 1-6720	D30CA-2-3.62	3770521101	3.00	1.50	3.63
Packer / Full Eject, 27 Yd OEM Ref P.N.'s; 1-5070, 1-5149, 1-6078, 1-6252, 1-6316, 1-6598	SD53CC-51-151.5	3771933036	Telescopic		151.50
Packer / Full Eject, 31 Yd OEM Ref P.N.'s; 1-5147, 1-6067, 1-6076, 1-6247, 1-6318, 1-6597	SD53CC-51-182	3771933032	Telescopic		182.00
Packer / Full Eject, 27 Yd OEM Ref P.N.'s; 1-5148, 1-6077, 1-6251	N/A		Telescopic		138.00
Packer / Dump Unit OEM Ref P.N.'s; 1-4298, 1-4299, 1-4878	C3563	3790003563	5.50	4.00	54.13
Packer / Dump Unit, Rapid Rail Durapack OEM Ref P.N.'s; 1-4915, 1-6560	D50CC-24-34.19	3777921069	5.50	3.50	34.19
Body Raise / Dump OEM Ref P.N.'s; 1-2039, 1-4807, 1-6157, 1-6191	S52CC-41-54.62	3771512092	Telescopic		56.07

CROSSOVER AND APPLICATION DATA IS FOR REFERENCE ONLY.  
NO OTHER CONDITIONS ARE EXPRESSED OR IMPLIED.

# Heil Rapid Rail Automated Side Loader

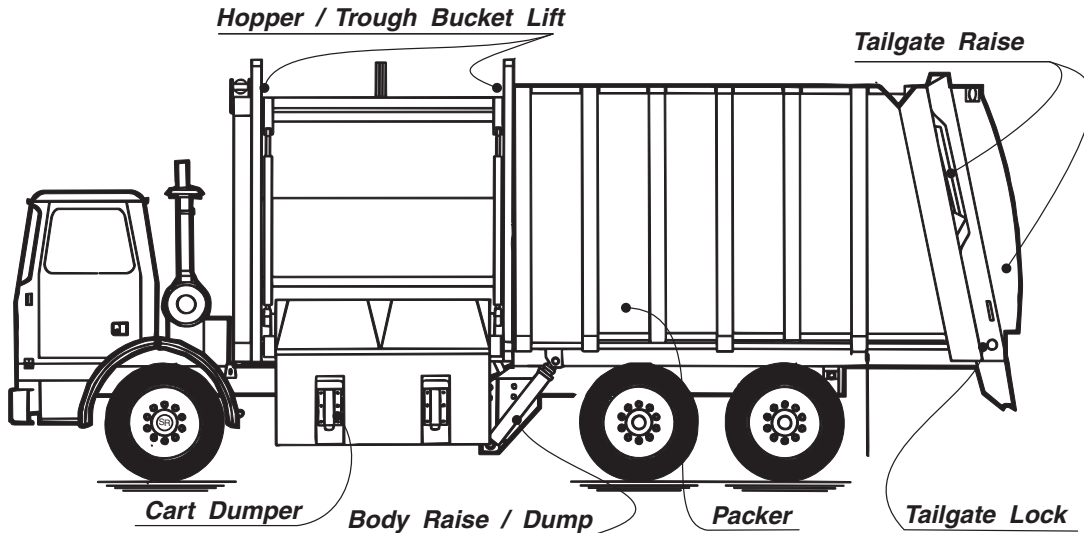
## Heil / Rapid Rail Automated Side Loader



<u>Cylinder Function</u>	<u>Parker Eng#</u>	<u>Parker Number</u>	<u>Bore</u>	<u>Rod</u>	<u>Stroke</u>
Grabber / Grip OEM Ref P.N.; 1-6169, 1-6330, 1-6331, 1-6402, 1-6416	D30CC-18-8.00	3770521110	2.00	1.12	8.00
Arm Reach / In & Out OEM Ref P.N.; 1-6162, 1-6194, 1-6399, 1-6403	D17AE-2-71.88	3778121003	1.75	1.12	71.88
Arm Lift OEM Ref P.N.; 1-6161, 1-6404	D30CC-19-16.00	3770521111	3.00	2.00	16.06
Dump, Container OEM Ref P.N.; 1-6160, 1-6407	D30CC-20-8.00	3770521113	3.00	1.12	8.00
Packer OEM Ref P.N.'s; 1-6164, 1-6406, 1-6581	D50CC-25-43	3777921075	5.00	1.50	43.00
Tailgate Raise OEM Ref P.N.'s; 1-6163, 1-6405, 1-6554	D30CE-11-18.50	3770521112	3.00	1.12	18.50
Body Raise / Dump OEM Ref P.N.'s; 1-6191, 1-6445	S52CC-41-54.62	3771512092	Telescopic		55.38

CROSSOVER AND APPLICATION DATA IS FOR REFERENCE ONLY.  
NO OTHER CONDITIONS ARE EXPRESSED OR IMPLIED.

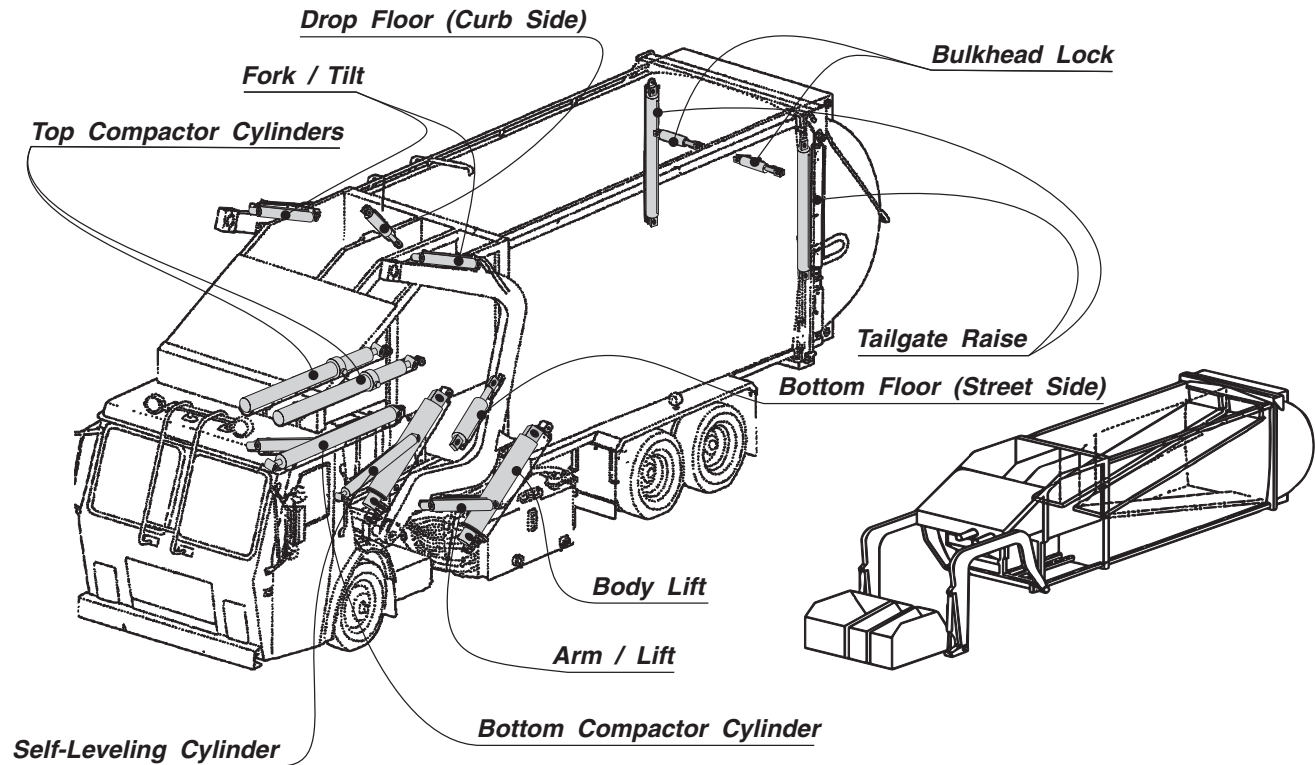
**Heil Recycle 2000 Recycling Body**



<u>Cylinder Function</u>	<u>Parker Eng#</u>	<u>Parker Number</u>	<u>Bore</u>	<u>Rod</u>	<u>Stroke</u>
Hopper / Trough Bucket Lift OEM Ref P.N.'s; 1-6070, 1-6142	D30CC-13-21.62	3770521098	3.00	1.580	21.62
Packer OEM Ref P.N.'s; 1-6069	D40CD-13-37	3776821078	4.00	2.50	37.00
Tailgate Raise, Upper OEM Ref P.N.'s; 1-2105, 1-3513, 1-4283	D30CL-3-18.44	3770521099	3.00	1.50	18.44
Tailgate Raise, Lower OEM Ref P.N.'s; 1-3778	D30CL-4-23.25	3770521100	3.00	1.50	23.19
Tailgate Latch OEM Ref P.N.'s; 1-3727, 1-6153, 1-6522, 1-6720	D30CA-2-3.62	3770521101	3.00	1.50	3.63
Body Raise / Dump, 33 YD OEM Ref P.N.'s; 1-2039, 1-4807, 1-6157, 1-6191	S52CC-41-54.62	3771512092	Telescopic		56.00
Body Raise / Dump, 38 YD OEM Ref P.N.'s; 1-6425	S52CC-41-67.25	3771512091	Telescopic		67.25
Body Raise / Dump, 38 YD OEM Ref P.N.'s; 1-6117	S63DC-79-67	3771413260	Telescopic		67.00
Cart Dumper OEM Ref P.N.'s	N/A				

CROSSOVER AND APPLICATION DATA IS FOR REFERENCE ONLY.  
NO OTHER CONDITIONS ARE EXPRESSED OR IMPLIED.

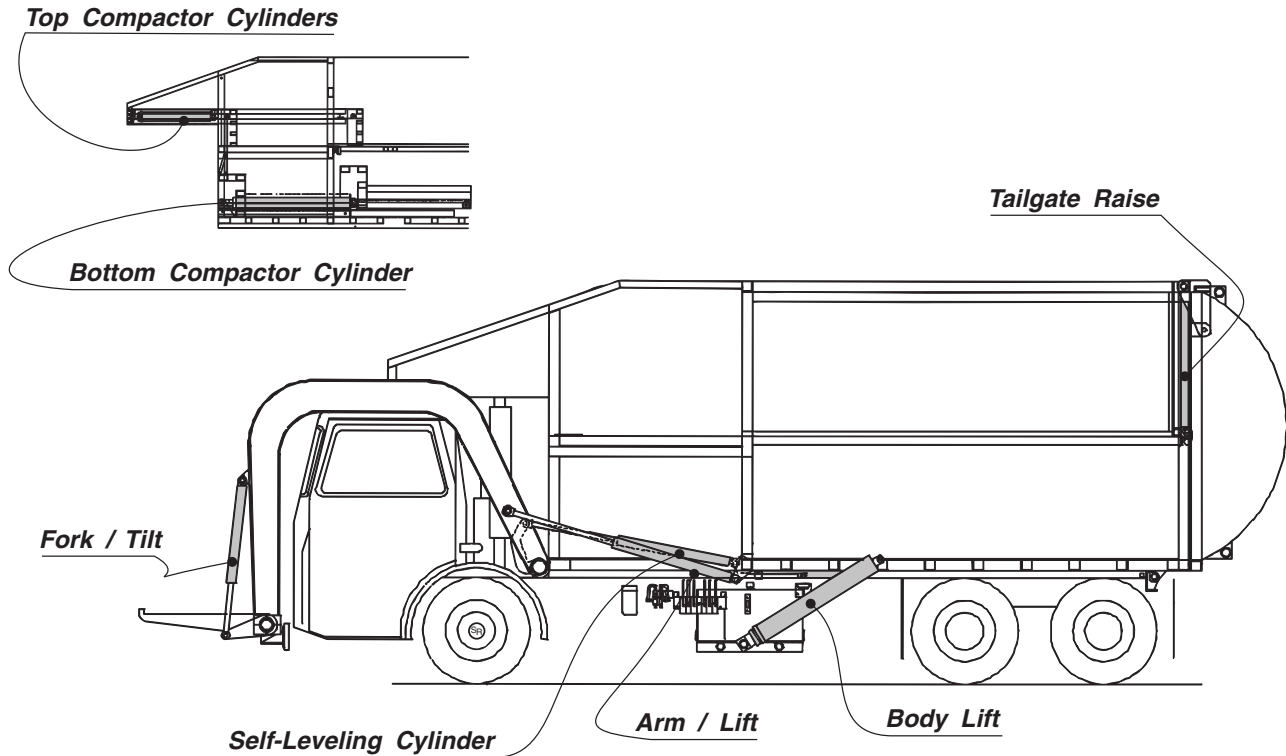
**Kann Manufacturing CoCollector**



<u>Cylinder Function</u>	<u>Parker Eng#</u>	<u>Parker Number</u>	<u>Bore</u>	<u>Rod</u>	<u>Stroke</u>
Arm / Lift (Non-Digitrak) OEM Ref P.N.; 1400135	D35CC-28-38	3773821086	3.50	2.00	38.00
Arm / Lift, (Digitrak) OEM Ref P.N.; 1400136	B5773	3790005773	3.50	2.00	38.00
Fork / Tilt OEM Ref P.N.; 1400101	D30CD-13-28	3770521128	3.00	1.75	28.00
Self-Leveling; Fork OEM Ref P.N.; 1400102, 3701054	B4775	3790004775	3.00	1.75	36.00
Top Compactor OEM Ref P.N.; 1400121	D40MD-1-72	3776821092	4.00	2.50	72.00
Bottom Compactor OEM Ref P.N.; 1400106	D65CC-9-66	3773921049	6.50	4.00	66.00
Tailgate Raise OEM Ref P.N.; 1400128	D30LD-10-36	3770521127	3.00	1.75	36.00
Drop Floor (Curb Side) OEM Ref P.N.; 1400119	D35LL-8-16	3790005424	3.50	2.00	16.00
Drop Floor (Steet Side) OEM Ref P.N.; 1400118	D35LL-7-16	3790005423	3.50	2.00	16.00
Bulkhead Lock OEM Ref P.N.; 1400046	N/A		2.00		
Body Lift, 35 Yard Body OEM Ref P.N.; 1400147	SD52CB-3-84	3771532070	Telescopic		84.00
Body Lift, 23 Yard Body OEM Ref P.N.; 1400148	SD52CB-3-70	3771532069	Telescopic		70.00

CROSSOVER AND APPLICATION DATA IS FOR REFERENCE ONLY.  
NO OTHER CONDITIONS ARE EXPRESSED OR IMPLIED.

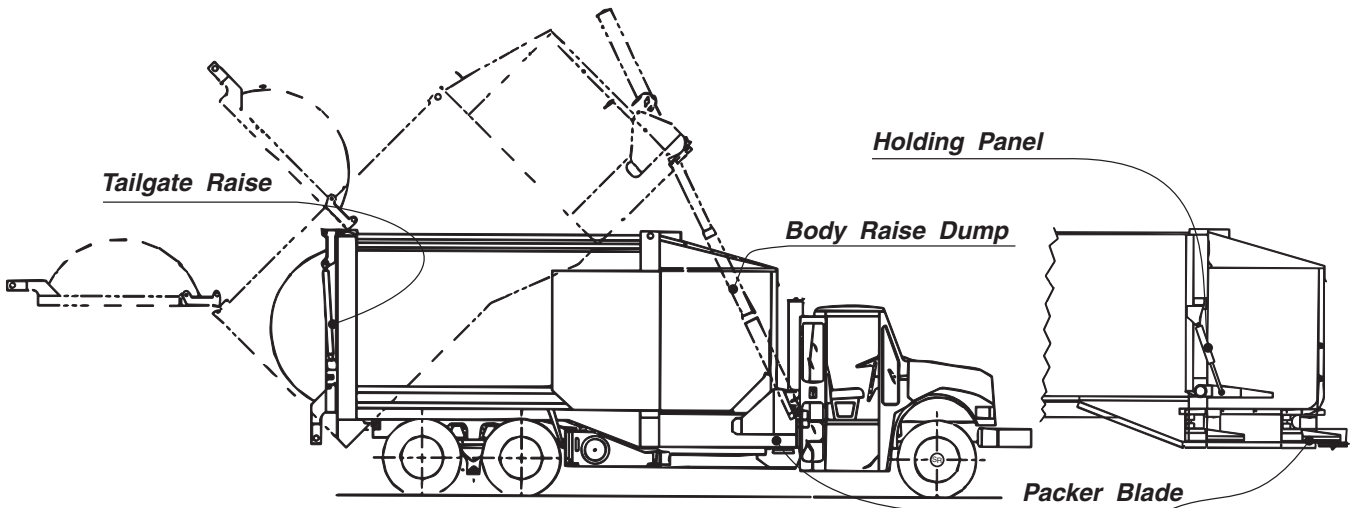
**Kann Manufacturing One Pass**



<u>Cylinder Function</u>	<u>Parker Eng#</u>	<u>Parker Number</u>	<u>Bore</u>	<u>Rod</u>	<u>Stroke</u>
Arm / Lift OEM Ref P.N.; 1400103	B4773	3790004773	3.50	2.00	38.00
Fork / Tilt OEM Ref P.N.; 1400101	D30CD-13-28	3770521128	3.00	1.75	28.00
Self-Leveling; Fork OEM Ref P.N.; 1400102, 3701054	B4775	3790004775	3.00	1.75	36.00
Top Compactor OEM Ref P.N.; 1400104, P4074-1	SD52CC-29-72	3771532074	Telescopic		72.00
Bottom Compactor OEM Ref P.N.; 1400106	D65CC-9-66	3773921049	6.50	4.00	66.00
Tailgate Raise OEM Ref P.N.; 1400102	B4775	3790004775	3.00	1.75	36.00
Body Lift OEM Ref P.N.; 1400105, P4073-1	SD62CB-13-84	3771432080	Telescopic		84.00

CROSSOVER AND APPLICATION DATA IS FOR REFERENCE ONLY.  
NO OTHER CONDITIONS ARE EXPRESSED OR IMPLIED.

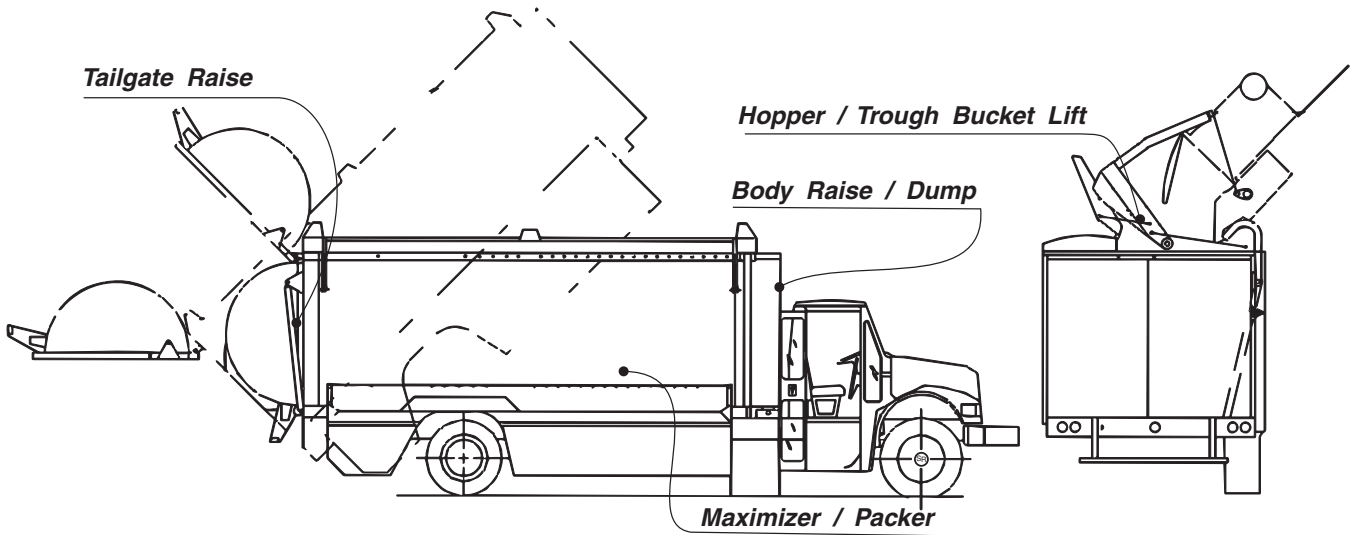
**Labrie Expert 2000 Manual Side Loader**



<u>Cylinder Function</u>	<u>Parker Eng#</u>	<u>Parker Number</u>	<u>Bore</u>	<u>Rod</u>	<u>Stroke</u>
Packer Blade OEM Ref P.N.'s; 020-9431-20, HYC00510	D50DC-4-40	3771521170	5.00	3.00	40.00
Holding Panel, Crusher Panel OEM Ref P.N.'s; HYC00360	D25DD-6-14.50	3772621141	2.50	1.50	14.50
Tailgate Raise OEM Ref P.N.'s; HYC00320	D25LC-4-39	3772621148	2.50	1.75	38.81
Body Raise / Dump OEM Ref P.N.'s; HYC01450-01	N/A		Telescopic		
Body Raise / Dump OEM Ref P.N.'s; HYC01425-01	N/A		Telescopic		

CROSSOVER AND APPLICATION DATA IS FOR REFERENCE ONLY.  
NO OTHER CONDITIONS ARE EXPRESSED OR IMPLIED.

**Labrie Equipment Top Select Recycling Body**

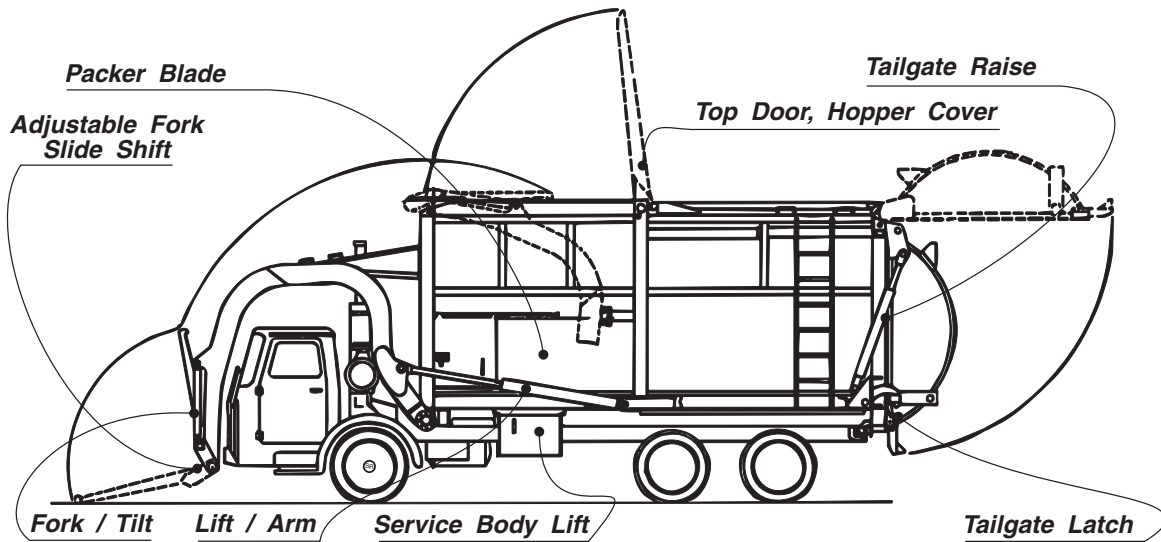


<u>Cylinder Function</u>	<u>Parker Eng#</u>	<u>Parker Number</u>	<u>Bore</u>	<u>Rod</u>	<u>Stroke</u>
Hopper / Trough Bucket Lift, Loading OEM Ref P.N.'s; HYC01550	D32CC-12-15.50	3770721133	3.25	1.50	15.50
Maximizer / Packer OEM Ref P.N.'s; HYC02300	D50DC-5-84.13	3777921074	5.00	3.00	84.13
Tailgate Raise OEM Ref P.N.'s; HYC00315	D25LC-3-28	3772621140	2.50	1.50	28.00
Body Raise / Dump OEM Ref P.N.'s; HYC02010	N/A		Telescopic		

CROSSOVER AND APPLICATION DATA IS FOR REFERENCE ONLY.  
NO OTHER CONDITIONS ARE EXPRESSED OR IMPLIED.



**Leach FL104 & Millennium Front Loader**

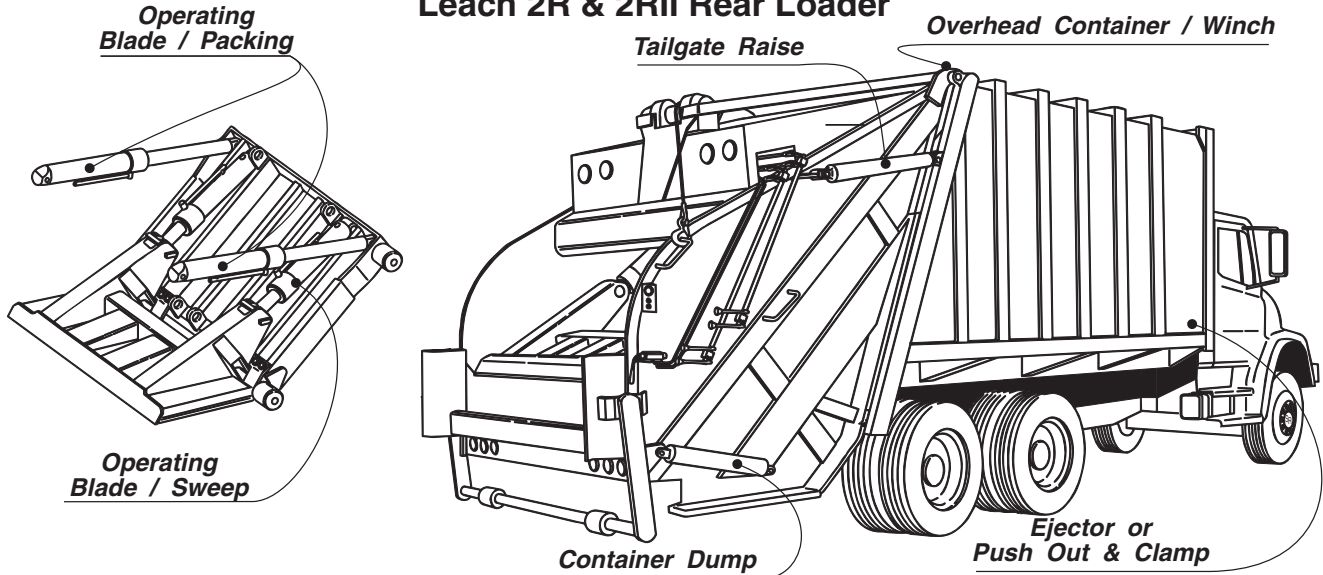


<u>Cylinder Function</u>	<u>Parker Eng#</u>	<u>Parker Number</u>	<u>Bore</u>	<u>Rod</u>	<u>Stroke</u>
Arm / Lift; Commercial 100" Arm Width OEM Ref P.N.'s; 306459, 306635	D45CL-2-42	3774121028	4.50	2.50	42.00
Arm / Lift; Residential 100" Arm Width OEM Ref P.N.'s; 306636, 305241, 305240, 306465	D45CL-2-44.25	3774121029	4.50	2.50	44.25
Arm / Lift; Commercial 96" Arm Width OEM Ref P.N.'s; 305112, 305127, 306463, 306464, 306633	D45CC-13-42	3774121030	4.50	2.50	42.00
Arm / Lift; Residential 96" Arm Width OEM Ref P.N.'s; 306634	D45CC-13-44.25	3774121031	4.50	2.50	44.25
Fork / Tilt; Commercial OEM Ref P.N.'s; 307534	D35CD-9-26.75	3773821061	3.50	2.00	26.75
Fork / Tilt; Residential OEM Ref P.N.'s; 601131	N/A				
Top Door; Sliding Short Wheel Base OEM Ref P.N.'s; 306462	D25CC-12-87.50	3772621126	2.50	1.50	87.50
Top Door; Sliding Long Wheel Base OEM Ref P.N.'s; 306462	D25CC-12-100.50	3772621127	2.50	1.50	100.50
Top Door; Hinged OEM Ref P.N.'s; 305960, 306466	D20CL-2-12.75	3770121132	2.00	1.25	12.75
Tailgate Raise OEM Ref P.N.'s; 306460	D30LD-5-28.62	3770521095	3.00	2.00	28.63
Packer Blade, Short Wheel Base OEM Ref P.N.'s; 305111, 305687	SD63CC-23-146	3771433064	Telescopic		146.00
Packer Blade, Long Wheel Base OEM Ref P.N.'s; 302525, 303407, 304000, 305688	SD63CC-39-167	3771433906	Telescopic		167.00
Service Body Lift OEM Ref P.N.'s; 302385	D30DD-13-14.25	3770521096	3.00	1.50	14.25

CROSSOVER AND APPLICATION DATA IS FOR REFERENCE ONLY.  
NO OTHER CONDITIONS ARE EXPRESSED OR IMPLIED.

# Leach 2RII Rear Loader

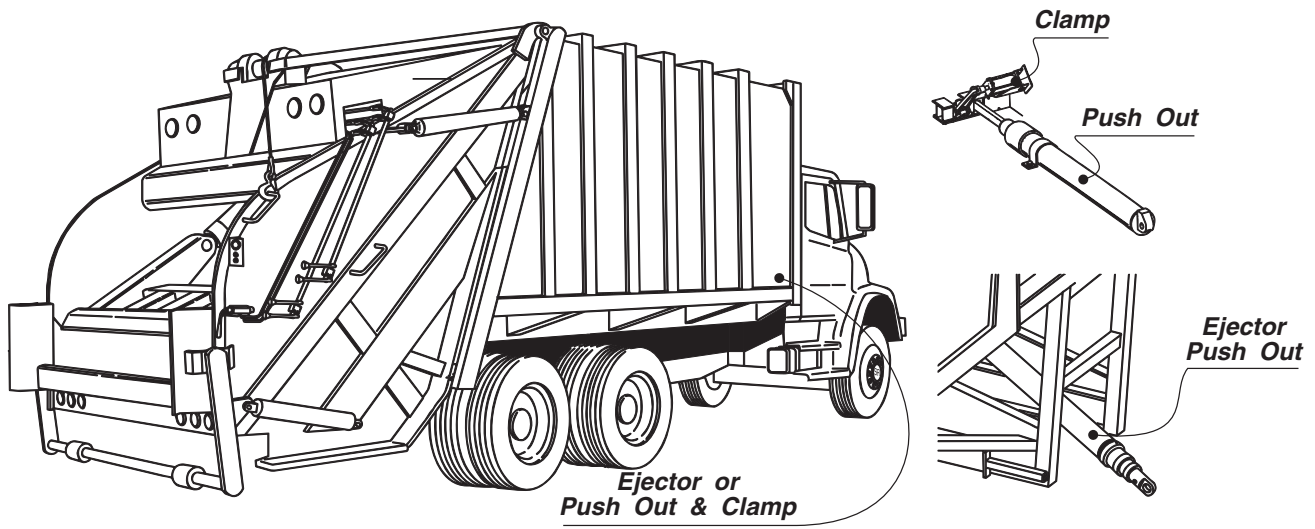
## Leach 2R & 2RII Rear Loader



<u>Cylinder Function</u>	<u>Parker Eng#</u>	<u>Parker Number</u>	<u>Bore</u>	<u>Rod</u>	<u>Stroke</u>
Operating, Blade Packing & Sweep: SN 0001-8993 OEM Ref P.N.'s; 2R1006A, 304805	D60BC-5-30.31 536	3771421251 + 536 Kit	6.00	4.50	30.25
Operating, Blade Packing & Sweep: SN 8997-10999 OEM Ref P.N.'s; 2R1008R, 32046, 300679, 300900, 300990, 303904, 305827, 306562	D60BC-5-30.31 495	3771421251 + 496 Kit	6.00	4.50	30.25
Operating, Blade Packing & Sweep: SN 11000-15999 OEM Ref P.N.'s; 304168, 307081, 620568	D60BC-5-30.31	3771421251	6.00	4.50	30.25
Operating, Blade Packing & Sweep: SN 16000-UP OEM Ref P.N.'s; 700081, 717488	D60BC-5-30.31 528	3771421251 + 528 Kit	6.00	4.50	30.25
Operating, Blade / Sweep, Tag Axle: SN 11000-15999 OEM Ref P.N.'s; 307082, 620509, 700289	D60BC-6-27.81	3771421256	6.00	4.50	27.81
Tailgate Raise: SN 0001-15999 OEM Ref P.N.'s; PO265, 400753, 401056, 402160, 402324, 405089, 405114, 406369, 406399, 406639, 601429	S41LC-1-39.38	3771011057	4.00	2.25	39.38
Tailgate Raise: SN 16000-UP OEM Ref P.N.'s; 210629, 701479, 709174	S35CL-2-32.69	3776815003	4.00	3.50	32.69
Tailgate Latch: SN 16000-UP OEM Ref P.N.'s; 306845	N/A				
Overhead Container Winch Reeving: SN 0001-UP OEM Ref P.N.'s; 305975, 402087, 406582	D60CF-2-57	3771421223	6.00	4.50	57.00
Container Dump: SN 0001-15999 OEM Ref P.N.'s; 15373, 401207, 405964, 605250	D40CD-11-15	3776821074	4.00	2.00	15.00
Container Dump Standard: SN 16000-UP OEM Ref P.N.'s; 407028	D40CL-3-23.50	3776821076	4.00	2.00	23.38
Container Dump Tag Axle: SN 16000-UP OEM Ref P.N.'s; 605252	N/A				

CROSSOVER AND APPLICATION DATA IS FOR REFERENCE ONLY.  
NO OTHER CONDITIONS ARE EXPRESSED OR IMPLIED.

**Leach 2R & 2RII Rear Loader**

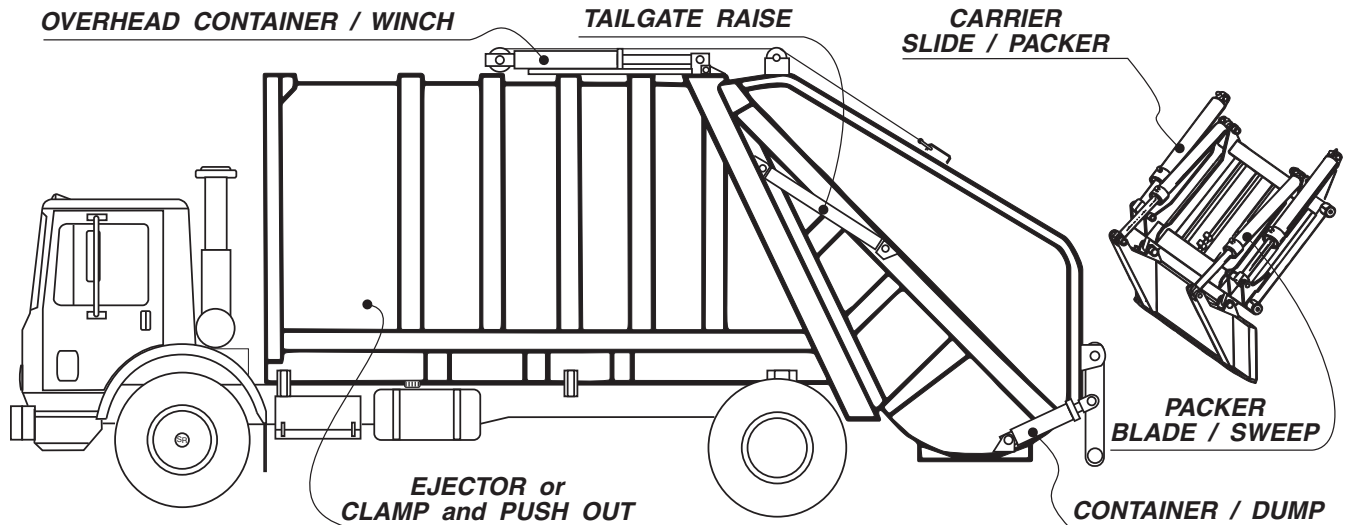


<u>Cylinder Function</u>	<u>Parker Eng#</u>	<u>Parker Number</u>	<u>Bore</u>	<u>Rod</u>	<u>Stroke</u>
Push Out, Clamp Style: SN 0001-15999 OEM Ref P.N.'s; PO1166, 41354, 41357, 305972, 400383, 406368	D60CF-3-32.38	3771421225	6.00	4.50	33.88
Clamp, Clamp Style: SN 0001-15999 OEM Ref P.N.'s; 400496, 406370	S21LL-2-1.5	3771411106	6.00	1.75	1.50
Ejector Push Out, 20 Yd: SN 0001-9719 OEM Ref P.N.'s; 41297	SD84CC-11-104	3772934012	Telescopic		104.00
Ejector Push Out, 25 Yd: SN 0001-9719 OEM Ref P.N.'s; 41296, 41298	SD85CC-15-125	3772935003	Telescopic		125.00
Ejector Push Out, 31 Yd: SN 0001-9719 OEM Ref P.N.'s; 39726	SD86CC-1-171	3772936001	Telescopic		171.00
Ejector Push Out, 20 Yd: SN 9720-Up OEM Ref P.N.'s; 209785, 718909	SD63DC-19-81	3771433946	Telescopic		82.84
Ejector Push Out, 25 Yd: SN 9720Up OEM Ref P.N.'s; 209786, 718878	SD63DC-19-101	3771433937	Telescopic		101.75
Ejector Push Out, 29 Yd: SN 9720-Up OEM Ref P.N.'s; 704045	N/A				
Ejector Push Out, 31 Yd: SN 9720-Up OEM Ref P.N.'s; 209787, 718876	SD64DC-5-145	3771434054	Telescopic		145.00
Ejector Push Out, 33 Yd: SN 9720-Up OEM Ref P.N.'s; 210847, 718912	SD64DC-5-156	3771434055	Telescopic		156.64
For Horizontal "Demolition" type Ejector Push Out, refer to SN 0-9719					

CROSSOVER AND APPLICATION DATA IS FOR REFERENCE ONLY.  
NO OTHER CONDITIONS ARE EXPRESSED OR IMPLIED.

# Leach Alpha, Beta & Delta Rear Loader

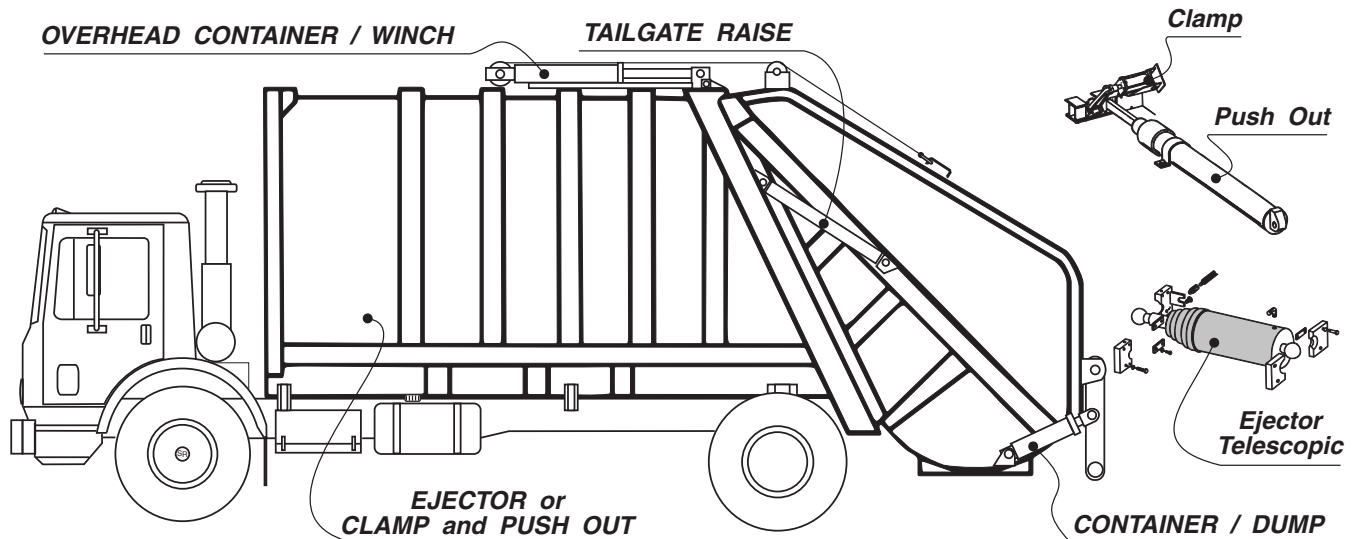
## Leach Alpha, Beta and Delta Rear Loader



<u>Cylinder Function</u>	<u>Parker Eng#</u>	<u>Parker Number</u>	<u>Bore</u>	<u>Rod</u>	<u>Stroke</u>
Packer, Blade / Sweep: Alpha S/N 3500-Up OEM Ref P.N.'s; 210658	D45CC-16-32.50	3774121037	4.50	2.50	32.50
Packer, Blade / Sweep: Alpha S/N1- 3499, Beta 1-Up OEM Ref P.N.'s; 404411, 406578	D50CB-9-32.50	3777921067	5.00	3.50	32.50
Packer, Blade / Sweep: Delta OEM Ref P.N.'s; 601366	N/A				
Slide / Packer: Alpha S/N 3500-Up OEM Ref P.N.'s; 210659	D55CC-8-37	3771921040	5.50	2.50	37.00
Slide / Packer: Alpha S/N1- 3499, Beta 1-Up OEM Ref P.N.'s; 401965, 402735, 406577	N/A		6.00		
Slide / Packer: Delta OEM Ref P.N.'s; 210628	N/A				
Tailgate Raise: Alpha & Beta S/N 3500-Up OEM Ref P.N.'s; 210629, 701479	S35CL-2-32.69	3776815003	4.00	3.50	32.69
Tailgate Raise: Alpha & Beta S/N 1-3499 OEM Ref P.N.'s; 402051, 405112, 406579	N/A				
Tailgate Raise OEM Ref P.N.'s; 402050	N/A				
Container Dump; S/N 1-3499 OEM Ref P.N.'s; 605600	N/A				
Container Dump; Alpha & Beta S/N 3500-Up OEM Ref P.N.'s; 407028	D40CL-3-23.50	3776821076	4.00	2.00	23.50
Container Dump OEM Ref P.N.'s; 401967	N/A				
Container Dump OEM Ref P.N.'s; 401982	N/A				
Overhead Container Reeving OEM Ref P.N.'s; 305975, 402087, 406582	D60CF-2-57	3771421223	6.00	4.50	57.00

CROSSOVER AND APPLICATION DATA IS FOR REFERENCE ONLY.  
NO OTHER CONDITIONS ARE EXPRESSED OR IMPLIED.

**Leach Alpha, Beta and Delta Rear Loader**

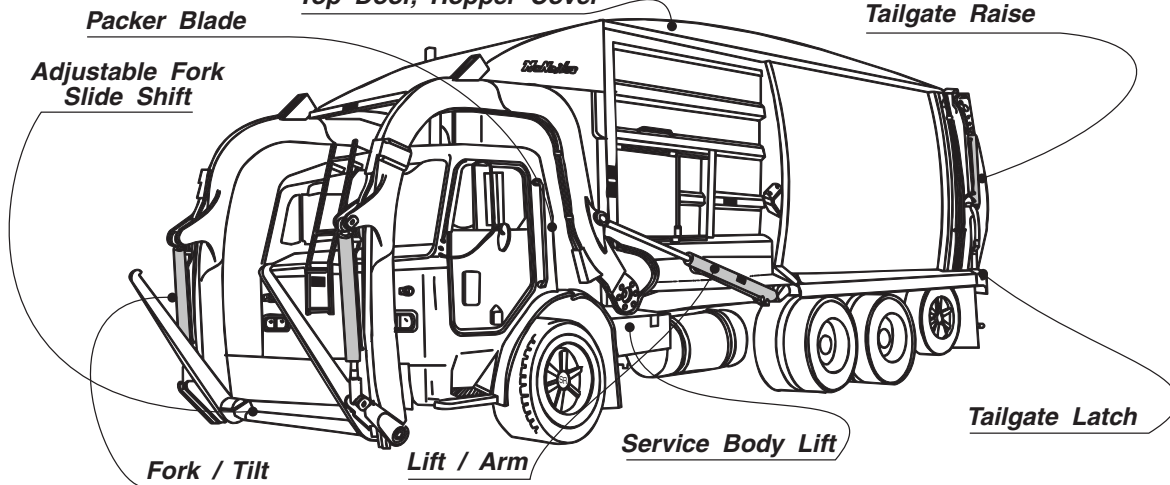


<u>Cylinder Function</u>	<u>Parker Eng#</u>	<u>Parker Number</u>	<u>Bore</u>	<u>Rod</u>	<u>Stroke</u>
Ejector Push Out, 14 Yd S/N 3500-Up OEM Ref P.N.'s; 210630-1	N/A				
Ejector Push Out, 16 Yd S/N 1-3499 OEM Ref P.N.'s; 200870	SD6400-1-87	3771434023	Telescopic		87.00
Ejector Push Out, 16 Yd S/N 3500-Up OEM Ref P.N.'s; 210630-2	N/A				
Ejector Push Out, 18 Yd S/N 1-3499 OEM Ref P.N.'s; 200869	SD7500-1-100	3772535004	Telescopic		100.00
Ejector Push Out, 18 Yd S/N 3500-Up OEM Ref P.N.'s; 210630-3	N/A				
Ejector Push Out, 20 Yd S/N 1-3499 OEM Ref P.N.'s; 200868	SD7500-2-113	3772535005	Telescopic		111.00
Ejector Push Out, 20 Yd S/N 3500-Up OEM Ref P.N.'s; 210630-4	N/A				
Ejector Push Out, 25 Yd S/N 1-3499 OEM Ref P.N.'s; 201500	SD8600-1-146	3772936002	Telescopic		146.00
Ejector Push Out, 25 Yd S/N 3500-Up OEM Ref P.N.'s; 210630-5	N/A				
Ejector Clamp, Clamp Style S/N 3500-Up OEM Ref P.N.'s; 303163, 406580	N/A				
Ejector Push Out, Clamp Style S/N 3500-Up OEM Ref P.N.'s; 403260	N/A				

CROSSOVER AND APPLICATION DATA IS FOR REFERENCE ONLY.  
NO OTHER CONDITIONS ARE EXPRESSED OR IMPLIED.

## McNeilus Front Loader

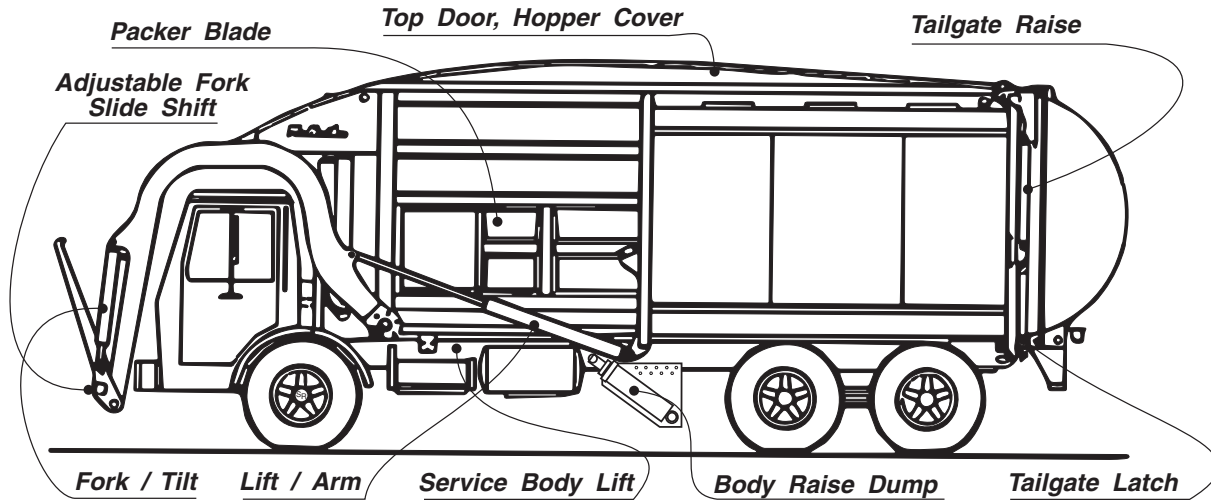
### McNeilus (MTM) 3604, 4004, 4304, 4504, 4020, 4320 & 4520 Full Eject McNeilus (MTM) 3604, 4005, 4022 & 4322 Gravity Dump Top Door, Hopper Cover



<u>Cylinder Function</u>	<u>Parker Eng#</u>	<u>Parker Number</u>	<u>Bore</u>	<u>Rod</u>	<u>Stroke</u>
Arm / Lift OEM Ref P.N.'s: 0619891, 0619891, 1000069, 1144708 9570.614366, 9570.614380, 9570.619891	D45CC-20-46	3774121043	4.50	2.50	46.00
Arm / Lift OEM Ref P.N.'s: 0604120, 9272.604120, 9570.604120	D4195	3790004195	5.00	2.50	44.55
Fork / Tilt OEM Ref P.N.'s: 0614333, 1000068, 1144704, 9070.614333, 9570.614333	D35CC-27-26	3773821085	3.50	2.00	26.00
Fork / Tilt, Threaded Rod Eye OEM Ref P.N.'s: 9272.604121, 9570.604121	D40CC-29-26	3776821108	4.00	2.00	26.00
Fork / Tilt, with Special Valving OEM Ref P.N.'s: 9570.619980	B5864	3790005864	3.50	2.00	26.00
Adjustable Fork / Slide Shift OEM Ref P.N.'s: 0617862, 9570.617862	B4708	3790004708	2.00	1.25	20.00
Top Door OEM Ref P.N.'s: 0614371, 0660778, 1000077, 1000160, 1144702, 9170.614371, 9170.660778, 9172.604147	D20DD-8-95	3770121144	2.00	1.50	95.00
Tailgate Raise OEM Ref P.N.'s: 0619881, 1000066, 1149602, 9370.614365, 9370.619881, 9370.914365	C5219	3790005219	3.25	2.00	31.00
Tailgate Raise OEM Ref P.N.'s: 0619882, 1000067, 1144703, 9272.604127, 9370.604127, 9370.619882	D32LL-11-38	3770721137	3.25	2.00	38.00
Packer Blade, 40 Yd Full Eject OEM Ref P.N.'s: 0604124, 1000081, 1181025, 9270.604124, 9272.604124, 9370.604124, 9470.604124	SD53CC-48-164	3771933024	Telescopic		164.00
Packer Blade, 45 Yd Full Eject OEM Ref P.N.'s: 0614374, 1100116, 1151023, 9270.614374	SD53CC-48-170	3771933027	Telescopic		170.00
Service Body Lift OEM Ref P.N.'s: 0619884, 1000078, 9170.619884	S28CC-1-16	3776721044	2.88	2.50	16.00
Packer Blade, Gravity Dump OEM Ref P.N.'s: 0604126, 1100038, 1151008, 9272.604126	D60DC-13-65.75	3771421247	6.00	4.00	65.75
Body Raise, Gravity Dump OEM Ref P.N.'s: 0642852, 1148536, 9170.642852, 9770.640888	S53DB-22-63	3771513182	Telescopic		63.12

CROSSOVER AND APPLICATION DATA IS FOR REFERENCE ONLY.  
NO OTHER CONDITIONS ARE EXPRESSED OR IMPLIED.

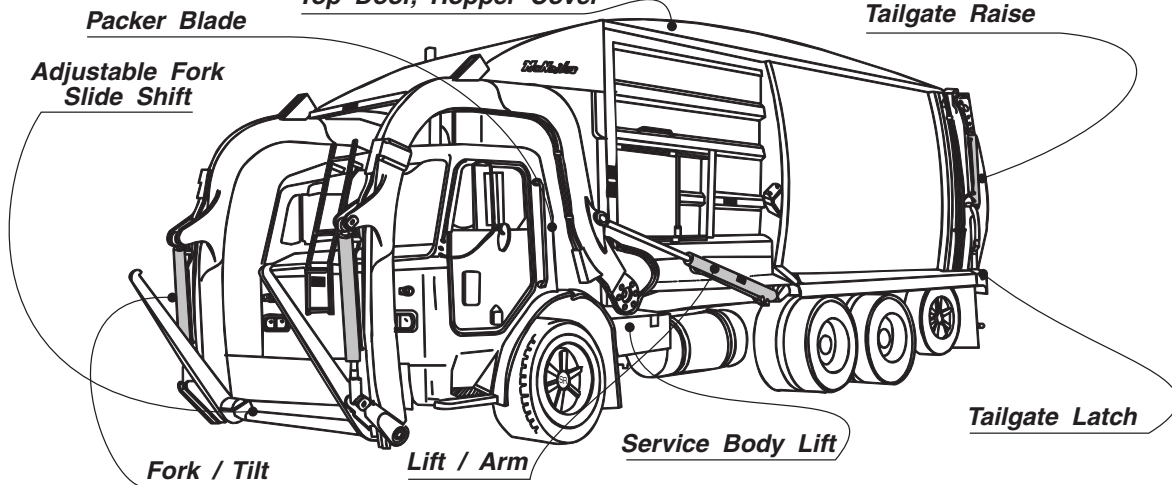
**McNeilus (MTM) 3629, 4029, 4329, 4529 Atlantic Full Eject  
McNeilus (MTM) 3624, 4024, 4324 & 4524 Atlantic Gravity Dump**



<u>Cylinder Function</u>	<u>Parker Eng#</u>	<u>Parker Number</u>	<u>Bore</u>	<u>Rod</u>	<u>Stroke</u>
Arm / Lift OEM Ref P.N.'s; 0614366, 0619891, 1000069, 1144708, 9570.614366, 9570.614380, 9570.619891	D45CC-20-46	3774121043	4.50	2.00	46.00
Fork / Tilt OEM Ref P.N.'s; 0614333, 1000068, 1144704 9070.614333, 9570.614333	D35CC-27-26	3773821085	3.50	2.00	26.00
Fork / Tilt, with Special Valving OEM Ref P.N.'s; 9570.619980	B5864	3790005864	3.50	2.00	26.00
Adjustable Fork / Slide Shift OEM Ref P.N.'s; 0617862, 9570.617862	B4708	3790004708	2.00	1.25	20.00
Top Door OEM Ref P.N.'s; 0614371, 0660778, 1000077, 1000160, 1144702, 9170.614371, 9170.660778, 9172.604147	D20DD-8-95	3770121144	2.00	1.50	95.00
Top Door (Long Lightweight) OEM Ref P.N.'s; 1145516, 9170.619880, 9170.660012	D20DD-8-107	3770121139	2.00	1.50	107.00
Tailgate Raise OEM Ref P.N.'s; 0619882, 1000067, 1144703 9272.604127, 9370.604127, 9370.619882	D32LL-11-38	3770721137	3.25	2.00	38.00
Packer Blade, 40 Yd Full Eject OEM Ref P.N.'s; 0661950, 1130000, 1140624, 1144059, 1254376, 9430.661950	SD63CC-44-164	3771833011	Telescopic		164.00
Packer Blade, 45 Yd Full Eject OEM Ref P.N.'s; 0661951, 1130001, 1140625, 1142458, 1237812, 9430.661951	SD63CC-44-181	3771833010	Telescopic		181.00
Service Body Lift OEM Ref P.N.'s; 0619884, 1000078, 9170.619884	S28CC-1-16	3776721044	2.88	2.50	16.00
Packer Blade, Atlantic Gravity Dump OEM Ref P.N.'s; 1101709, 1149601	D60CC-45-65.75	3775921011	6.00	4.00	65.75
Body Raise, Atlantic Gravity Dump OEM Ref P.N.'s; 0126158, 1148497, 9070.126158	S63DC-77-66	3771413258	Telescopic		66.00

CROSSOVER AND APPLICATION DATA IS FOR REFERENCE ONLY.  
NO OTHER CONDITIONS ARE EXPRESSED OR IMPLIED.

**McNeilus (MTM) 4080, 4081, 4380 & 4381 Pacific  
McNeilus (MTM) 4082, 4382 Low Profile Pacific**  
*Top Door, Hopper Cover*



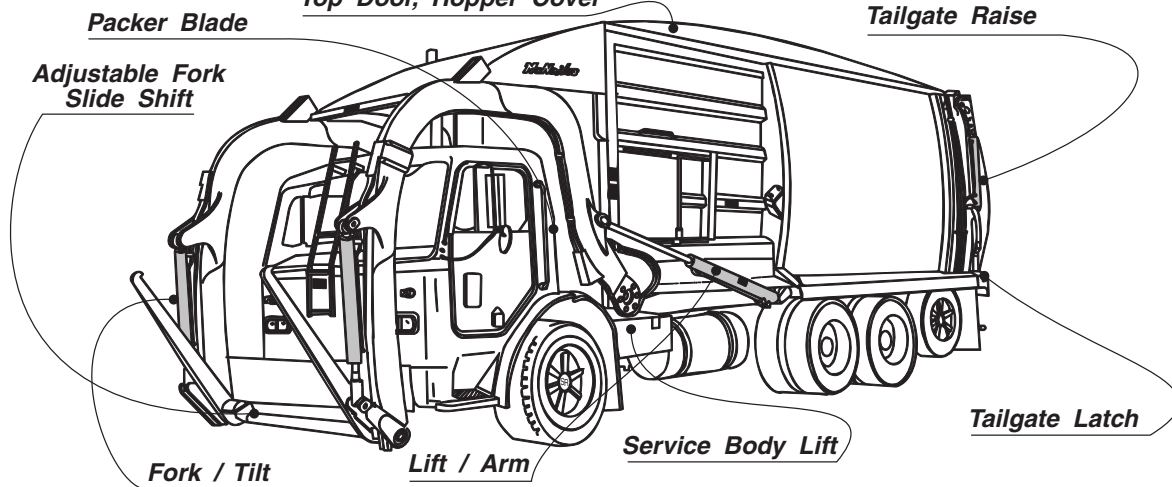
<u>Cylinder Function</u>	<u>Parker Eng#</u>	<u>Parker Number</u>	<u>Bore</u>	<u>Rod</u>	<u>Stroke</u>
Arm / Lift OEM Ref P.N.'s; 0660777, 1000158, 1145515, 9570.660777	D40CC-28-46	3776821107	4.00	2.00	46.00
Fork / Tilt OEM Ref P.N.'s; 0619876, 9570.619876	D30CD-9-20	3790005461	3.00	1.75	20.00
Fork / Tilt OEM Ref P.N.'s; 0660009, 0660781, 1100028, 9570.660009, 9570.660781	D30CD-12-20	3775421003	3.00	1.75	20.00
Fork / Tilt OEM Ref P.N.'s; 0660011, 9570.660011	B6353	3790006353	3.50	2.00	20.00
Adjustable Fork / Slide Shift OEM Ref P.N.'s; 0617862, 1144705, 9570.617862, 9570.660782	B4708	3790004708	2.00	1.25	20.00
Top Door OEM Ref P.N.'s; 0614371, 0660778, 1000077, 1000160, 1144702, 9170.614371, 9170.660778, 9172.604147	D20DD-8-95	3770121144	2.00	1.50	95.00
Top Door OEM Ref P.N.'s; 1145516, 9170.619880, 9170.660012	D20DD-8-107	3770121139	2.00	1.50	107.00
Tailgate Raise OEM Ref P.N.'s; 0637009, 1000161, 9370.637009	D25LL-19-38	3772621150	2.50	1.50	38.00
Tailgate Raise OEM Ref P.N.'s; 0637010, 1100105, 1144707, 9370.637010	D25LL-20-38	3772621153	2.50	1.50	38.00
Packer Blade OEM Ref P.N.'s; 0660776, 1000157, 1148495, 9170.660776	SD53DD-CP592-170	3799000592	Telescopic		170.00
Service Body Lift OEM Ref P.N.'s; 0619884, 1000078, 9170.619884	S28CC-1-16	3776721044	2.88	2.50	16.00
Packer Blade, Gravity Dump OEM Ref P.N.'s; 9570.660785	B6422	3790006422	5.50	3.50	66.19
Body Raise, Gravity Dump OEM Ref P.N.'s; 0126158, 1148497, 9070.126158	S63DC-77-66	3771413258	Telescopic		66.00
Body Raise, Gravity Dump OEM Ref P.N.'s; 0633832, 1148537, 9170.633832	S75DB-CP394-86	3799000394	Telescopic		86.25

CROSSOVER AND APPLICATION DATA IS FOR REFERENCE ONLY.  
NO OTHER CONDITIONS ARE EXPRESSED OR IMPLIED.



# McNeilus Front Loader

## McNeilus (MTM) 4027, 4327 Lightweight Century Full Eject McNeilus (MTM) 4028, 4328 Lightweight Century Half Pack Dump Top Door, Hopper Cover



<u>Cylinder Function</u>	<u>Parker Eng#</u>	<u>Parker Number</u>	<u>Bore</u>	<u>Rod</u>	<u>Stroke</u>
Arm / Lift OEM Ref P.N.'s; 0619877, 9570.619877	B5462	3790005462	4.00	2.50	46.00
Arm / Lift OEM Ref P.N.'s; 0614366, 0619891, 1000069, 1144708, 9570.614366, 9570.614380, 9570.619891	D45CC-20-46	3774121043	4.50	2.50	46.00
Fork / Tilt OEM Ref P.N.'s; 0619876, 9570.619876	D30CD-9-20	3790005461	3.00	1.75	20.00
Fork / Tilt OEM Ref P.N.'s; 0614333, 1000068, 1144704, 9070.614333, 9570.614333	D35CC-27-26	3773821085	3.50	2.00	26.00
Fork / Tilt, With Counter Balance Valve OEM Ref P.N.'s; 0618928, 9370.618928, 9570.618928	B5780	3790005780	3.50	2.00	26.00
Adjustable Fork / Slide Shift OEM Ref P.N.'s; 0617862, 1144705, 9570.617862, 9570.660782	B4708	3790004708	2.00	1.25	20.00
Top Door OEM Ref P.N.'s; 1145516, 9170.619880, 9170.660012	D20DD-8-107	3770121139	2.00	1.50	107.00
Tailgate Raise OEM Ref P.N.'s; 0642853, 1000075, 9370.642853	B5491	3790005491	3.00	2.00	31.00
Packer Blade OEM Ref P.N.'s; 9270.614373, 9470.619878	D5753	3790005753	Telescopic		149.00
Service Body Lift OEM Ref P.N.'s; 0619884, 1000078, 9170.619884	S28CC-1-16	3776721044	2.88	2.50	16.00
Packer Blade, Gravity Dump OEM Ref P.N.'s; 9170.619875	B5454	3790005454	5.00	3.00	59.00
Body Raise, Gravity Dump, 36 YD OEM Ref P.N.'s; 0615862, 9270.615862, 9770.615862	S64DB-10-73	3771414053	Telescopic		73.00
Body Raise, Gravity Dump, 39 YD OEM Ref P.N.'s; 0633832, 1148537, 9170.633832	S75DB-CP394-86	3799000394	Telescopic		86.00

CROSSOVER AND APPLICATION DATA IS FOR REFERENCE ONLY.  
NO OTHER CONDITIONS ARE EXPRESSED OR IMPLIED.

# McNeilus Standard & H.D. Rear Loader

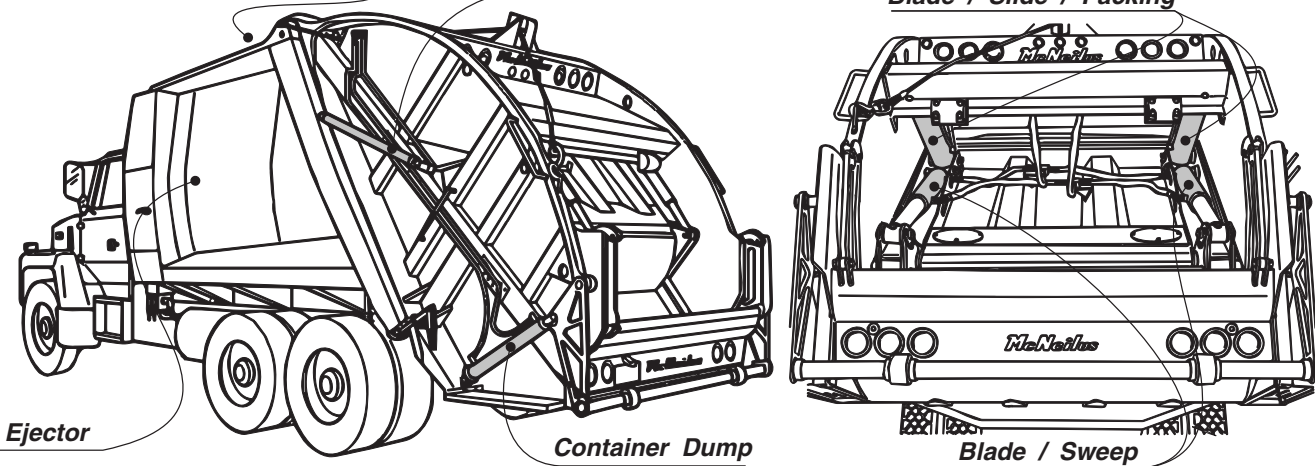
## McNeilus (MTM) Standard & Heavy Duty Rear Loader

1710, 2010, 2510, 3210 Standard & 1711, 2011, 2511, 3211 Heavy Duty

Overhead Container / Winch

Tailgate Raise

Blade / Slide / Packing

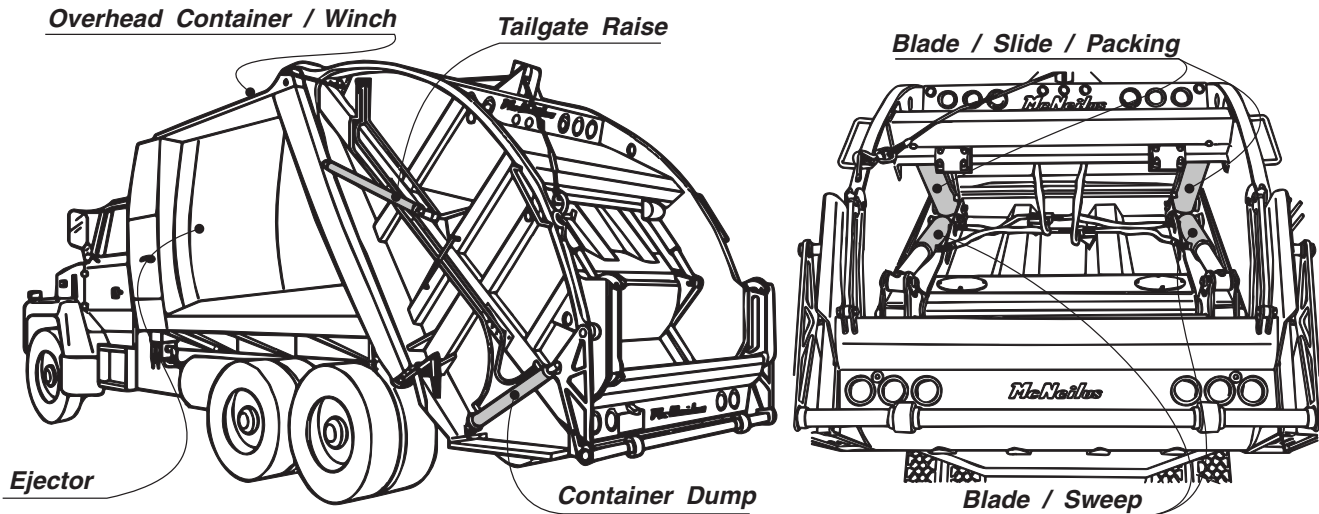


<u>Cylinder Function</u>	<u>Parker Eng#</u>	<u>Parker Number</u>	<u>Bore</u>	<u>Rod</u>	<u>Stroke</u>
Blade / Slide / Packing, Standard OEM Ref P.N.'s: 0604144, 1109366, 9470.604144	D4292	3790004292	4.50	3.50	32.50
Blade / Slide / Packing, Heavy Duty OEM Ref P.N.'s: 0604146, 1108291, 9470.604146	D50DD-30-32.50	3777921098	5.00	4.00	32.50
Blade / Sweep, Standard OEM Ref P.N.'s: 0604143, 1109367, 9470.604143	D4291	3790004291	4.00	3.00	23.00
Blade / Sweep, Heavy Duty OEM Ref P.N.'s: 0604145, 1108292, 9470.604145	D45DD-9-23	3774121049	4.50	3.50	23.00
Tailgate Raise OEM Ref P.N.'s: 0601930, 1108290, 9072.601930, 9072.601940, 9370.601930, 9370.604130	S28CC-2-38.00	3776718001	2.88	2.50	38.00
Overhead Container Winch Reeving OEM Ref P.N.'s: 0605700, 1109369, 9072.601492, 9170.605700, 9370.605700, 9970.604129	B5473	3790005473	5.00	3.50	50.00
Container Dump, Crash Bar OEM Ref P.N.'s: 1109749, 9370.605701	D25LL-17-12.00	3772621145	2.50	1.50	12.00
Container Dump OEM Ref P.N.'s: 0605702, 1100117, 1109370, 9370.605702, 9572.601691, 9970.601691	D30CL-5-24	3770521130	3.00	1.75	24.00
Ejector Push Out, 17 Yd OEM Ref P.N.'s: 0604139, 1148073, 9270.604139	SD63DC-74-71.75	3771433939	Telescopic		71.75
Ejector Push Out, 20 Yd OEM Ref P.N.'s: 0604142, 1148074, 9072.604142, 9270.604142, 9272.604142	SD63DC-7-88	3771433071	Telescopic		88.75
Ejector Push Out, 25 Yd OEM Ref P.N.'s: 0604137, 1147920, 9072.604137, 9270.604137	SD74DC-7-119	3772534040	Telescopic		119.50
Ejector Push Out, 28 Yd OEM Ref P.N.'s: 1147929, 9070.670032	SD74DC-CP615-138	3799000615	Telescopic		138.00
Ejector Push Out, 32 Yd OEM Ref P.N.'s: 0604138, 1148075, 9072.604138, 9270.604138	SD85DC-7-163	3772935036	Telescopic		163.00

CROSSOVER AND APPLICATION DATA IS FOR REFERENCE ONLY.  
NO OTHER CONDITIONS ARE EXPRESSED OR IMPLIED.

**McNeilus (MTM) XC High Compaction Rear Loader**

2003, 2503, 3203, 2013, 2513, 3213, XC

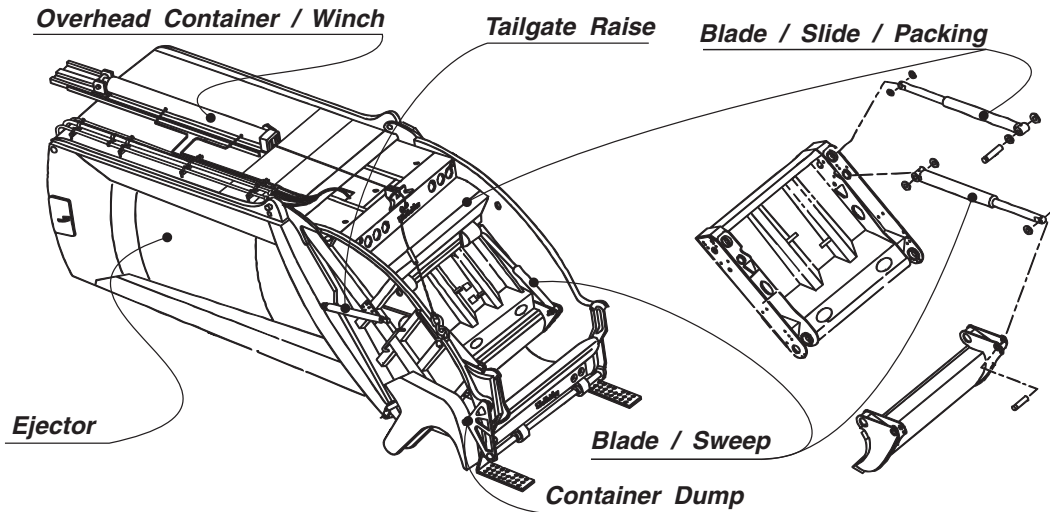


<u>Cylinder Function</u>	<u>Parker Eng#</u>	<u>Parker Number</u>	<u>Bore</u>	<u>Rod</u>	<u>Stroke</u>
Blade / Slide / Packing OEM Ref P.N.'s; 0604135, 1108286, 9072.604135, 9470.604135	D55DD-14-38.62	3771921049	5.50	4.50	38.62
Blade / Sweep OEM Ref P.N.'s; 0604134, 1108287, 9072.604134, 9470.604134	D50DD-29-25.62	3777921097	5.00	3.00	23.00
Tailgate Raise OEM Ref P.N.'s; 0604136, 1108293, 9370.604136	S31CB-2-42	3773811005	3.50	3.00	42.00
Overhead Container Winch Reeving OEM Ref P.N.'s; 0605700, 1109369, 9072.601492, 9170.605700, 9370.605700, 9970.604129	B5473	3790005473	5.00	3.50	50.00
Container Dump, Crash Bar OEM Ref P.N.'s; 1109749, 9370.605701	D25LL-17-12.00	3772621145	2.50	1.50	12.00
Container Dump OEM Ref P.N.'s; 0605702, 1100117, 1109370, 9370.605702, 9572.601691, 9970.601691	D30CL-5-24	3770521130	3.00	1.75	24.00
Ejector Push Out, 17 Yd OEM Ref P.N.'s; 0604139, 1148073, 9270.604139	SD63DC-74-71.75	3771433939	Telescopic		71.75
Ejector Push Out, 20 Yd OEM Ref P.N.'s; 0604142, 1148074, 9072.604142, 9270.604142, 9272.604142	SD63DC-7-88	3771433071	Telescopic		88.75
Ejector Push Out, 25 Yd OEM Ref P.N.'s; 0604137, 1147920, 9072.604137, 9270.604137	SD74DC-7-119	3772534040	Telescopic		119.50
Ejector Push Out, 28 Yd OEM Ref P.N.'s; 1147929, 9070.670032	SD74DC-CP615-138	3799000615	Telescopic		138.00
Ejector Push Out, 32 Yd OEM Ref P.N.'s; 0604138, 1148075, 9072.604138, 9270.604138	SD85DC-7-163	3772935036	Telescopic		163.00

CROSSOVER AND APPLICATION DATA IS FOR REFERENCE ONLY.  
NO OTHER CONDITIONS ARE EXPRESSED OR IMPLIED.

**McNeilus (MTM) Tag Axle Rear Loader**

2012, 2512, 3212 Tag Axle

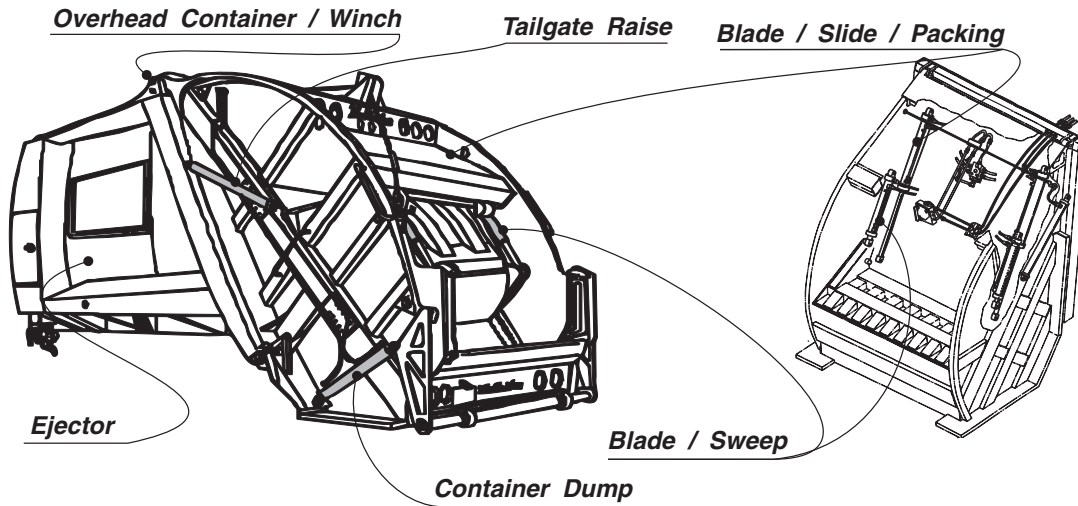


<u>Cylinder Function</u>	<u>Parker Eng#</u>	<u>Parker Number</u>	<u>Bore</u>	<u>Rod</u>	<u>Stroke</u>
Blade / Slide / Packing OEM Ref P.N.'s; 0604976, 1109368, 9970.604976	D50DD-32-37.25	3777921102	5.00	4.00	37.25
Blade / Sweep OEM Ref P.N.'s; 0604145, 1108292, 9470.604145	D45DD-9-23	3774121049	4.50	3.50	23.00
Tailgate Raise OEM Ref P.N.'s; 0604136, 9370.604136	S31CB-2-42	3773811005	3.50	3.00	42.00
Overhead Container Winch Reeving OEM Ref P.N.'s; 0605700, 1109369, 9072.601492, 9170.605700, 9370.605700, 9970.604129	B5473	3790005473	5.00	3.50	50.00
Container Dump, Crash Bar OEM Ref P.N.'s; 1109749, 9370.605701	D25LL-17-12.00	3772621145	2.50	1.50	12.00
Container Dump OEM Ref P.N.'s; 1109748, 9970.604975	C4750	3790004750	3.00	1.75	13.50
Ejector Push Out, 20 Yd OEM Ref P.N.'s; 0604142, 1148074, 9072.604142, 9270.604142, 9272.604142	SD63DC-7-88	3771433071	Telescopic		88.75
Ejector Push Out, 25 Yd OEM Ref P.N.'s; 0604137, 1147920, 9072.604137, 9270.604137	SD74DC-7-119	3772534040	Telescopic		119.50
Ejector Push Out, 28 Yd OEM Ref P.N.'s; 1147929, 9070.670032	SD74DC-CP615-138	3799000615	Telescopic		138.00
Ejector Push Out, 32 Yd OEM Ref P.N.'s; 0604138, 1148075 9072.604138, 9270.604138	SD85DC-7-163	3772935036	Telescopic		163.00

CROSSOVER AND APPLICATION DATA IS FOR REFERENCE ONLY.  
NO OTHER CONDITIONS ARE EXPRESSED OR IMPLIED.

**McNeilus (MTM) Metro Rear Loader**

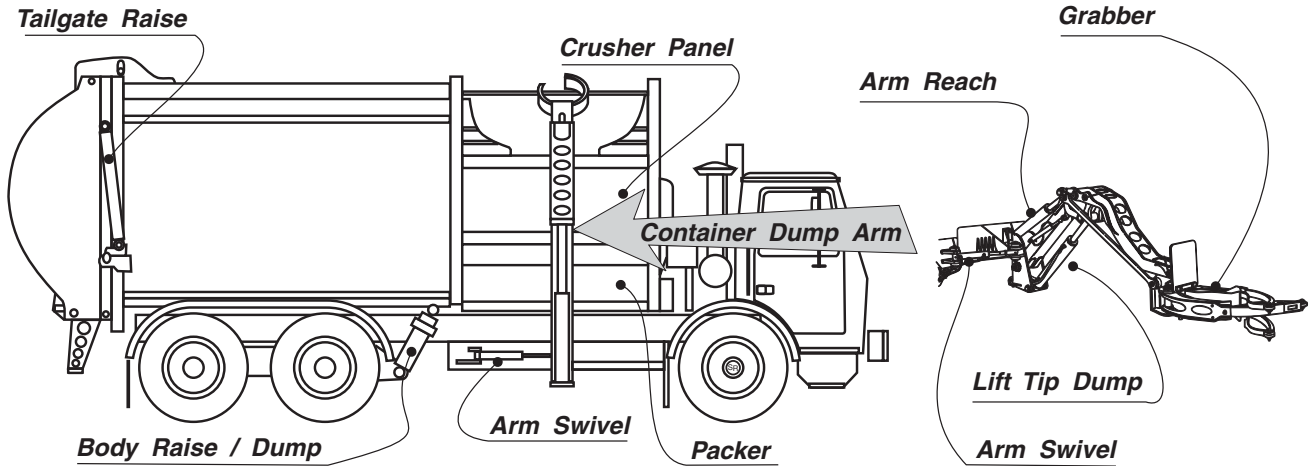
1214, 1414, 1714 & 2014



<u>Cylinder Function</u>	<u>Parker Eng#</u>	<u>Parker Number</u>	<u>Bore</u>	<u>Rod</u>	<u>Stroke</u>
Blade / Slide / Packing OEM Ref P.N.'s: 0606960, 1106959, 1148322, 9470.606690,9470.606960	C3850	3790003850	4.50	2.00	26.50
Blade / Sweep OEM Ref P.N.'s: 0606950, 1106958, 9270.606950, 9470.606950, 9872.622251	C3847	3790003847	4.00	2.50	21.63
Tailgate Raise OEM Ref P.N.'s: 0606953, 1106957, 9370.606953, 9470.606953	B5347	3790005347	3.00	2.50	31.25
Overhead Container Winch Reeving OEM Ref P.N.'s: 0605700, 1109369, 9072.601492 9170.605700, 9370.605700, 9572.604129	B5473	3790005473	5.00	3.50	50.00
Container Dump OEM Ref P.N.'s: 0605702, 1100117, 9370.605702, 9572.601691, 9970.601691	D30CL-5-24	3770521130	3.00	1.75	24.00
Ejector Push Out, 12 Yd OEM Ref P.N.'s: 0606971, 9270.606971	SD63DC-CP493-46	3799000493	Telescopic		46.62
Ejector Push Out, 14 Yd Old Style OEM Ref P.N.'s: 1148048, 9270.673088	SD52DC-CP627-55	3799000627	Telescopic		55.00
Ejector Push Out, 14 Yd New Style OEM Ref P.N.'s: 0606969, 9270.606969	SD63DC-7-61	3799000441	Telescopic		59.38
Ejector Push Out, 17 Yd New Style OEM Ref P.N.'s: 0673089, 1148072, 9270.673089	SD63DC-75-76	3771433944	Telescopic		76.00
Ejector Push Out, 17 Yd Old Style OEM Ref P.N.'s: 0606967, 9270.606967	SD63DC-CP507-82	3799000507	Telescopic		82.00
Ejector Push Out, 20 Yd Old Style OEM Ref P.N.'s: 0673894, 1148233, 9270.673894, 9270.637984	SD63DC-CP604-97	3799000604	Telescopic		97.25
Ejector Push Out, 20 Yd New Style OEM Ref P.N.'s: 0606956, 9270.606956	SD74DC-CP410-104	3799000410	Telescopic		104.38

CROSSOVER AND APPLICATION DATA IS FOR REFERENCE ONLY.  
NO OTHER CONDITIONS ARE EXPRESSED OR IMPLIED.

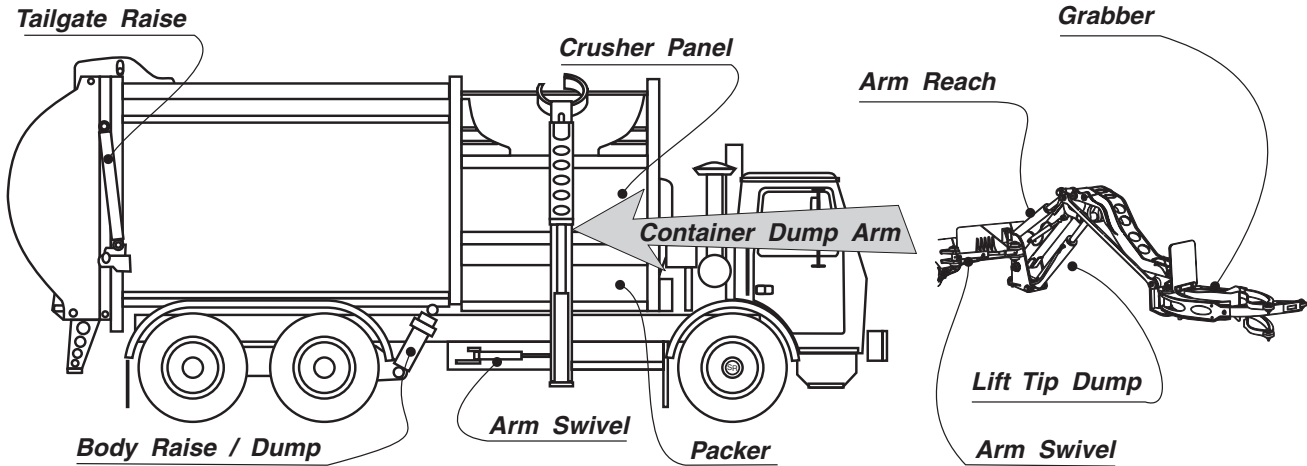
**McNeilus (MTM) AutoReach Side Loader**  
 AutoReach 99, AutoReach, Dual Compartment, Street Force  
 Page 1 of 2



<u>Cylinder Function</u>	<u>Parker Eng#</u>	<u>Parker Number</u>	<u>Bore</u>	<u>Rod</u>	<u>Stroke</u>
Grabber OEM Ref P.N.'s; 1132626, 1132629, 1145283 1145648, 1151133, 9570.643706	D20DD-6-6.25	3770121136	2.00	1.00	6.25
Arm Reach OEM Ref P.N.'s; 1145617, 9570.643701	B5495	3790005495	3.50	2.00	14.75
Arm Reach OEM Ref P.N.'s; 1145618, 9070.644203, 9570.643710	B5899	3790005899	3.50	2.00	14.75
Arm Lift, Tip Dump OEM Ref P.N.'s; 1145616, 9570.643705	D35DD-1-17.88	3790005501	3.50	2.00	17.88
Arm Swivel, Swing OEM Ref P.N.'s; 0638264, 1100106, 9070.638264	B6387	3790006387	2.00	1.25	9.12
Arm Swivel, Swing OEM Ref P.N.'s; 1103780, 1145619	B6546	3790006546	2.00	1.25	8.12
Arm Swivel, Swing OEM Ref P.N.'s; 1145284, 9570.643708	D30DD-12-9.12	3790005740	3.00	1.50	9.12
Arm Swivel, Swing, Dual Compartment OEM Ref P.N.'s; 9070.644194	B5698	3790005698	2.50	1.75	15.00
Packer OEM Ref P.N.'s; 0126256, 1100031, 1145282, 1273348, 200.126256	D45DD-10-52.75	3774121054	4.50	3.00	52.75
Packer OEM Ref P.N.'s; 1150957, 200.126257	B6236	3790006236	5.00	3.00	34.50
Packer, Dual Compartment Upper OEM Ref P.N.'s; 9070.644180	B5442	3790005442	3.00	2.00	21.50
Packer, Dual Compartment Lower OEM Ref P.N.'s; 9070.644183	D45DD-7-34.50	3790006002	4.50	3.00	34.50
Crusher Panel, Packer Assist OEM Ref P.N.'s; 0615860, 1000092, 1145280 9170.615860, 9270.615860	C4539	3790004539	3.00	2.00	14.00

CROSSOVER AND APPLICATION DATA IS FOR REFERENCE ONLY.  
 NO OTHER CONDITIONS ARE EXPRESSED OR IMPLIED.

**McNeilus (MTM) AutoReach Side Loader**  
 AutoReach 99, AutoReach, Dual Compartment, Street Force  
 Page 2 of 2

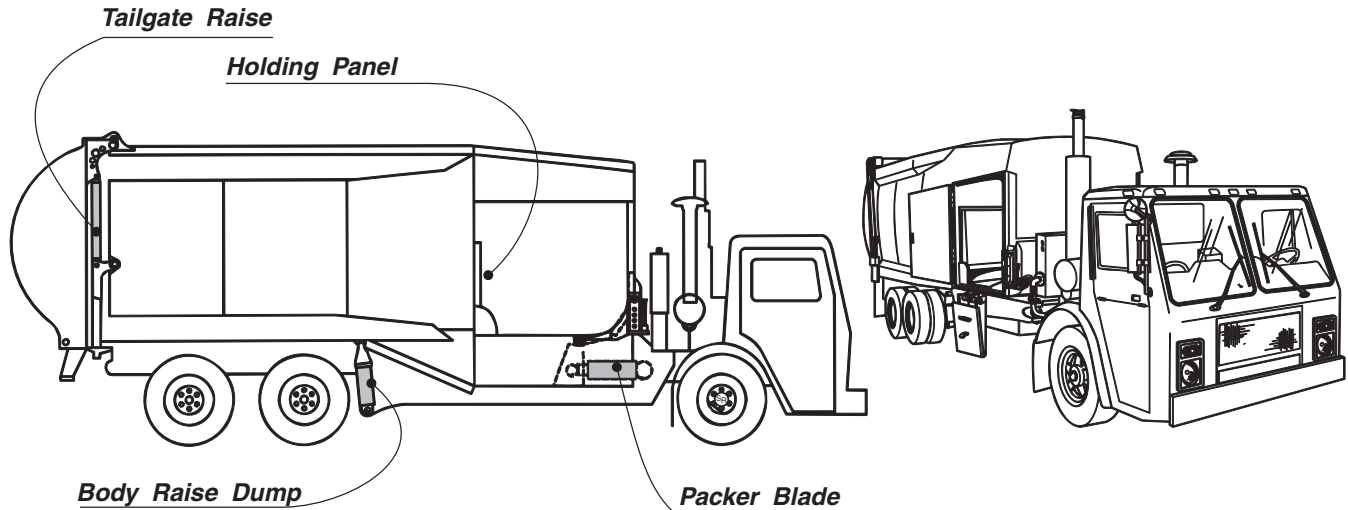


<u>Cylinder Function</u>	<u>Parker Eng#</u>	<u>Parker Number</u>	<u>Bore</u>	<u>Rod</u>	<u>Stroke</u>
Tailgate Raise OEM Ref P.N.'s; 0637009, 1000161, 9370.637009	D25LL-19-38	3772621150	2.50	1.50	38.00
Tailgate Raise OEM Ref P.N.'s; 0637010, 1100105, 1144707 9370.637010	D25LL-20-38	3772621153	2.50	1.50	38.00
Tailgate Raise OEM Ref P.N.'s; 0642853, 1000075, 9370.642853	B5491	3790005491	3.00	2.00	31.00
Tailgate Raise OEM Ref P.N.'s; 0619882, 1000067, 1144703, 9272.604127, 9370.619882, 9370.604127	D32LL-11-38	3770721137	3.25	2.00	38.00
Tailgate Raise, Dual Compartment Upper OEM Ref P.N.'s; 9370.634905	B4942	3790004942	2.00	1.25	12.00
Tailgate Raise, Dual Compartment Lower OEM Ref P.N.'s; 0634906, 9370.634906, 9370.643906	D20LL-8-20	3790005724	2.00	1.25	20.00
Body Raise / Dump OEM Ref P.N.'s; 0642852, 1148536, 9170.642852, 9770.640888	S53DB-22-63	3771513182	Telescopic		63.00

CROSSOVER AND APPLICATION DATA IS FOR REFERENCE ONLY.  
 NO OTHER CONDITIONS ARE EXPRESSED OR IMPLIED.

**McNeilus (MTM) MLS Manual Side Loader**

3607, 3630, 3930, MSL

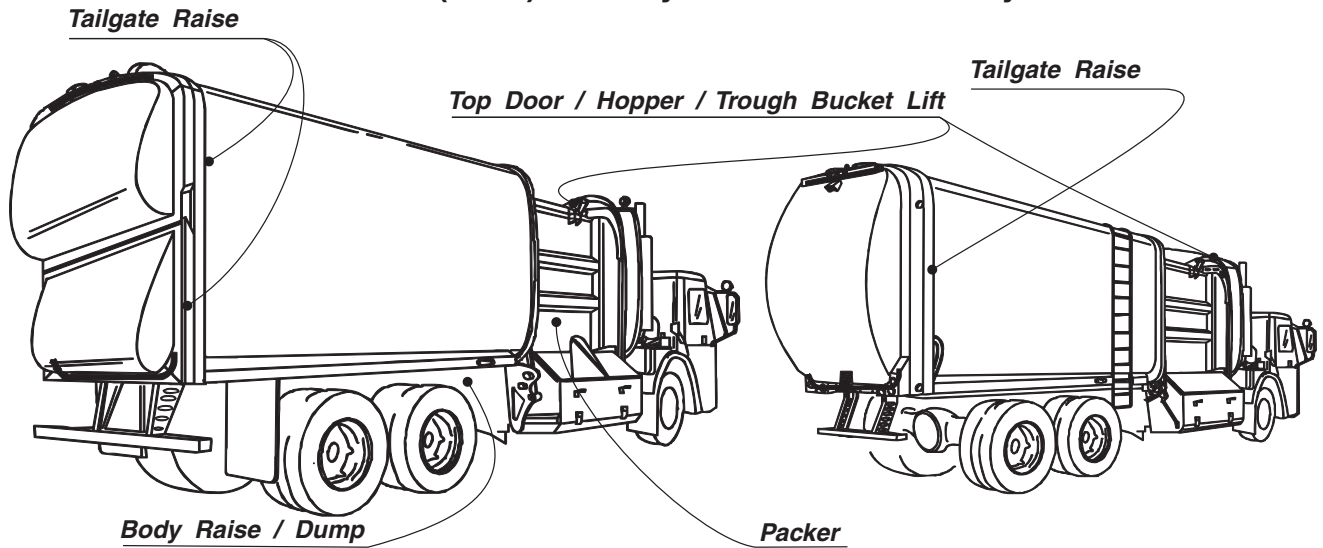


<u>Cylinder Function</u>	<u>Parker Eng#</u>	<u>Parker Number</u>	<u>Bore</u>	<u>Rod</u>	<u>Stroke</u>
Packer Blade OEM Ref P.N.'s; 0635876, 1000094, 9270.635876, 9470.615860, 9470.630861	D50DD-28-39.50	3777921096	5.00	4.00	39.50
Packer Blade OEM Ref P.N.'s; 1104922	D50DD-21-39.50	3777921061	5.00	4.00	39.50
Packer Blade OEM Ref P.N.'s; 9270.615861, 9430.615861	C4543	3790004543	5.00	3.50	34.00
Packer Blade OEM Ref P.N.'s; 0663500, 1100104, 9270.663500	B6314	3790006314	5.00	4.00	39.50
Packer Blade OEM Ref P.N.'s; 1108220, 1145649	B6622	3790006622	4.00	3.00	39.50
Holding Panel, Crusher Panel OEM Ref P.N.'s; 0615860, 1000092, 1145280, 9170.615860, 9270.615860	C4539	3790004539	3.00	2.00	14.00
Tailgate Raise OEM Ref P.N.'s; 0637010, 1100105, 1144707, 9370.637010	D25LL-20-38	3772621153	2.50	1.50	38.00
Tailgate Raise OEM Ref P.N.'s; 0604125, 9272.604125, 9370.604125	D30LL-11-31	3790004133	3.00	2.00	31.00
Tailgate Raise OEM Ref P.N.'s; 0619882, 1000067, 1144703, 9272.604127, 9370.604127, 9370.619882	D32LL-11-38	3770721137	3.00	2.00	38.00
Body Raise / Dump OEM Ref P.N.'s; 0615862, 1148535, 9270.615862, 9770.615862	S64DB-10-73	3771414053	Telescopic		73.00
Body Raise / Dump, Optional Front Mount OEM Ref P.N.'s; 1108392	S53MC-38-166	3771513154	Telescopic		166.00
Body Raise / Dump, Optional Front Mount OEM Ref P.N.'s; 1143954	N/A	N/A	Telescopic		170.00

CROSSOVER AND APPLICATION DATA IS FOR REFERENCE ONLY.  
NO OTHER CONDITIONS ARE EXPRESSED OR IMPLIED.



**McNeilus (MTM) Century Bucket Loader Recycler**

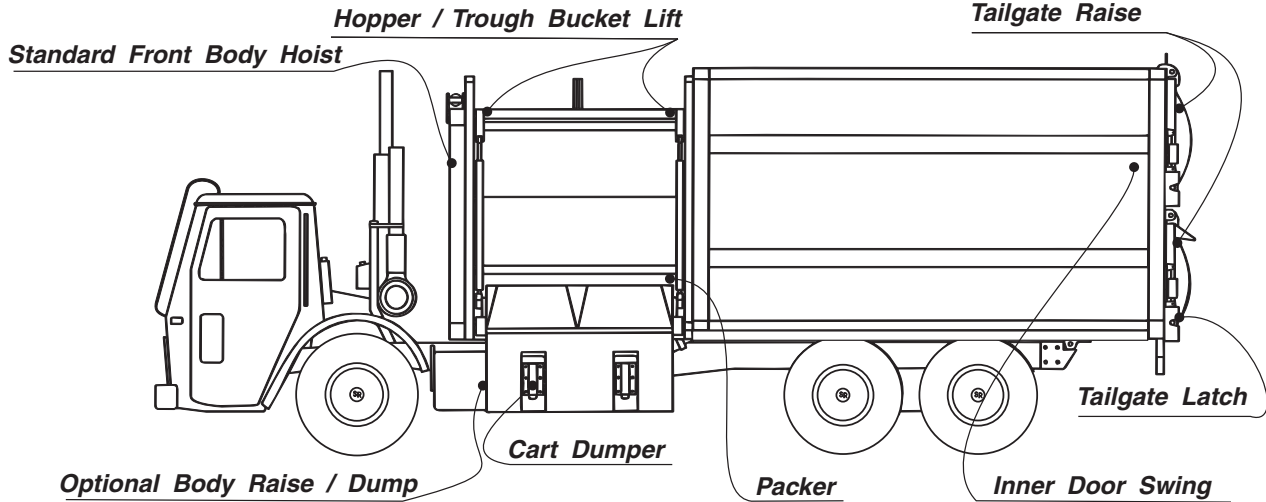


<u>Cylinder Function</u>	<u>Parker Eng#</u>	<u>Parker Number</u>	<u>Bore</u>	<u>Rod</u>	<u>Stroke</u>
Top Door / Hopper / Trough Bucket Lift OEM Ref P.N.'s; 0637007, 9170.637007	D30CD-11-21.25	3770521104	3.00	1.75	21.25
Top Door / Hopper / Trough Bucket Lift OEM Ref P.N.'s; 0633849, 1100045, 9070.633849	B6310	3790006310	3.00	1.75	20.75
Top Door / Hopper / Trough Bucket Lift OEM Ref P.N.'s; 0637507, 9170.637507	B5959	3790005959	3.00	1.75	19.00
Packer OEM Ref P.N.'s; 0637008, 1000166, 9470.637008	D50DD-23-52.75	3777921066	5.00	3.00	52.75
Packer OEM Ref P.N.'s; 1000163, 9470.637508	B5956	3790005956	4.00	3.00	46.00
Packer OEM Ref P.N.'s; 0126261, 200.126261	B6273	3790006273	4.50	3.00	28.00
Tailgate Raise, Single OEM Ref P.N.'s; 0637009, 1000161, 9370.637009	D25LL-19-38	3772621150	2.50	1.50	38.00
Tailgate Raise, Single OEM Ref P.N.'s; 0637010, 1100105, 1144707, 9370.637010	D25LL-20-38	3772621153	2.50	1.50	38.00
Tailgate Raise, Single OEM Ref P.N.'s; 0637509, 1000162, 9370.637509	B5955	3790005955	2.50	1.50	37.50
Tailgate Raise, Double Upper OEM Ref P.N.'s; 0126262, 200.126262	B6242	3790006242	2.00	1.25	21.50
Tailgate Raise, Double Lower OEM Ref P.N.'s; 0634906, 9370.634906, 9370.643906	D20LL-8-20	3790005724	2.00	1.25	20.00
Tailgate Latch OEM Ref P.N.'s; 0636375, 9370.636375	B6293	3790006293	2.00	1.00	3.00
Body Raise / Dump OEM Ref P.N.'s; 0642852, 1148536, 9170.642852, 9770.640888	S53DB-22-63	3771513182	Telescopic		63.00
Body Raise / Dump OEM Ref P.N.'s; 0636002, 9270.636002	S74DC-70-84	3772514113	Telescopic		84.00

CROSSOVER AND APPLICATION DATA IS FOR REFERENCE ONLY.  
NO OTHER CONDITIONS ARE EXPRESSED OR IMPLIED.

**McNeilus (MTM) 4057 Compacting Recycler**

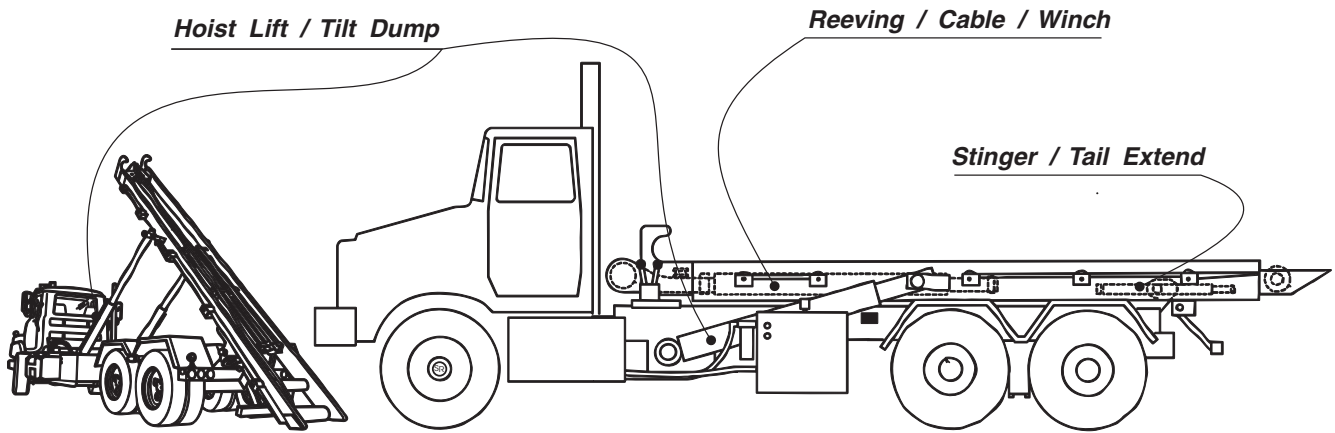
4057



<u>Cylinder Function</u>	<u>Parker Eng#</u>	<u>Parker Number</u>	<u>Bore</u>	<u>Rod</u>	<u>Stroke</u>
Hopper / Trough Bucket Lift OEM Ref P.N; 1149557	D40DD-19-22.50	3776821080	4.00	2.00	22.50
Packer OEM Ref P.N.'s; 1149553, 1182845	D40DD-17-42	3776821070	4.00	2.50	42.00
Tailgate Raise OEM Ref P.N; 1181124	N/A				
Body Raise / Dump, Front Mount OEM Ref P.N.'s; 1143954	N/A		Telescopic		

CROSSOVER AND APPLICATION DATA IS FOR REFERENCE ONLY.  
NO OTHER CONDITIONS ARE EXPRESSED OR IMPLIED.

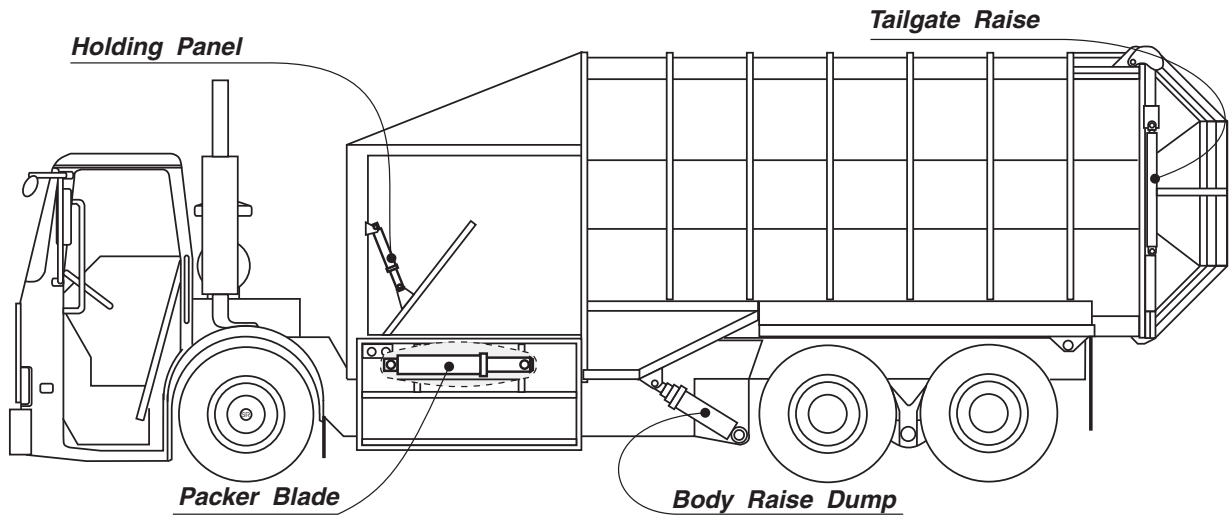
McNeilus (MTM) Roll-Off



<u>Cylinder Function</u>	<u>Parker Eng#</u>	<u>Parker Number</u>	<u>Bore</u>	<u>Rod</u>	<u>Stroke</u>
Reeving / Cable / Winch; 60,000# OEM Ref P.N.'s; 0651550, 1146285, 1229476, 9070.651550, 9070.654695, 9180.651550	D62LB-5-80	3771421180	6.25	4.75	80.00
Reeving / Cable / Winch; 80,000# OEM Ref P.N.'s; 1148237, 9070.654697, 9180.654697	D72LB-9-80	3772521122	7.25	4.75	80.00
Hoist Lift / Tilt Dump; 60,000# OEM Ref P.N.'s; 0651550, 1146285, 1229476, 9070.651550, 9070.654695, 9180.651550	D62LB-5-80	3771421180	6.25	4.75	80.00
Hoist Lift / Tilt Dump;; 80,000# OEM Ref P.N.'s; 1148237, 9070.654697, 9180.654697	D72LB-9-80	3772521122	7.25	4.75	80.00
Stinger Tail Extend OEM Ref P.N.'s; 0654696, 9070.654696, 9070.654698	B6071	3790006071	3.50	2.50	80.00
Stinger Tail Extend OEM Ref P.N.'s; 9070.654699	B5487	3790005487	3.50	2.50	48.00

CROSSOVER AND APPLICATION DATA IS FOR REFERENCE ONLY.  
NO OTHER CONDITIONS ARE EXPRESSED OR IMPLIED.

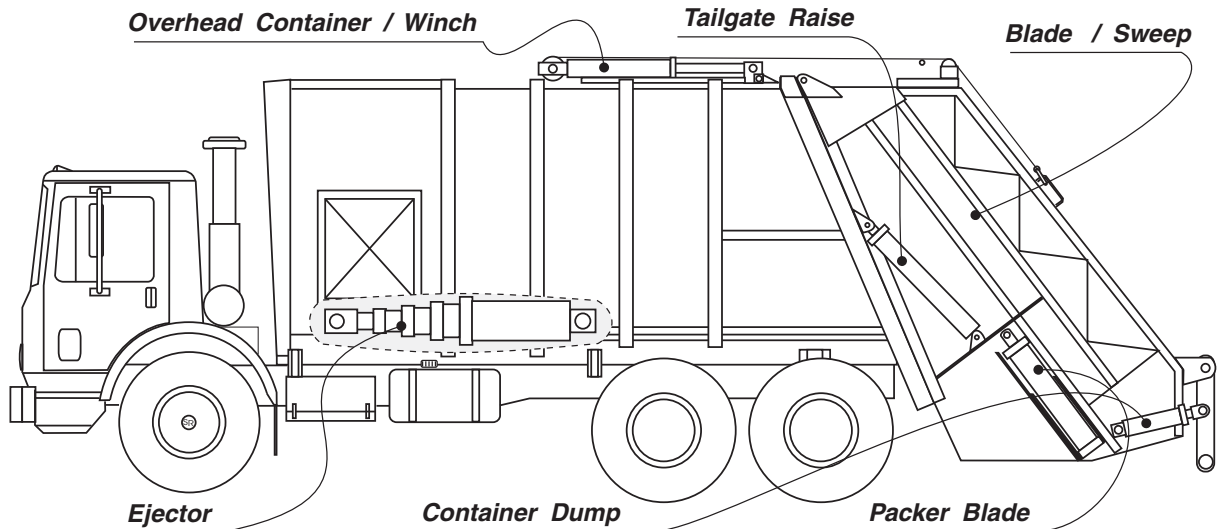
**Maxon SL-108, SL-109 & SL-209 Drop-Frame Side Loader**



<u>Cylinder Function</u>	<u>Parker Eng#</u>	<u>Parker Number</u>	<u>Bore</u>	<u>Rod</u>	<u>Stroke</u>
Packer Blade, SL-108 & SL-109 OEM Ref P.N.'s; 202104, 800000, 801374	C3831	3790003831	4.00	2.50	29.00
Packer Blade, SL-209 OEM Ref P.N.'s; 040955	N/A		6.00	3.75	31.00
Holding Panel, Crusher Panel, SL-108 & SL-109 OEM Ref P.N.'s; 202105, 207985	N/A		3.50	1.50	16.00
Tailgate Raise, SL-108 & SL-109 OEM Ref P.N.'s; 222741	N/A		2.50		36.00
Tailgate Raise, SL-209 OEM Ref P.N.'s; 404800	C3820	3790003820	3.00	1.75	36.00
Body Raise / Dump 63" Stroke OEM Ref P.N.'s; 401216	S53DB-22-63	3771513182	Telescopic		63.00
Body Raise / Dump 78" Stroke OEM Ref P.N.'s; 222530	N/A	Telescopic			78.00

CROSSOVER AND APPLICATION DATA IS FOR REFERENCE ONLY.  
NO OTHER CONDITIONS ARE EXPRESSED OR IMPLIED.

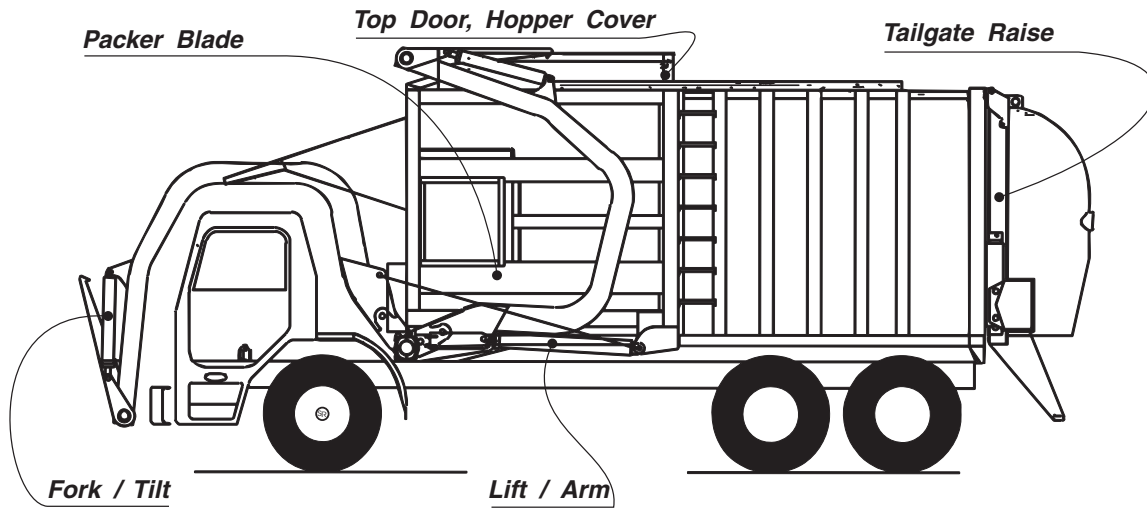
**Pak-Mor R200B & R300B Rear Loader**



<u>Cylinder Function</u>	<u>Parker Eng#</u>	<u>Parker Number</u>	<u>Bore</u>	<u>Rod</u>	<u>Stroke</u>
Packer Blade, R200 Series OEM Ref P.N.'s; 4148023	D50DL-2-42	3777921060	5.00	2.50	42.00
Packer Blade, R300 Series OEM Ref P.N.'s; 4148037	D60CL-2-40	3771421221	6.00	3.00	40.00
Blade / Sweep, R200 Series OEM Ref P.N.'s; 4148022	D50DB-13-24	3777921059	5.00	2.50	24.00
Blade / Sweep, R300 Series OEM Ref P.N.'s; 4148000	D60CB-5-26	3771421220	6.00	3.00	26.0024.00
Tailgate Raise, R200 Series OEM Ref P.N.'s; 4149065	D35LL-9-30	3773821058	3.50	2.50	29.81
Tailgate Raise, R300 Series OEM Ref P.N.'s; 4149067	D35LL-9-38	3773821059	3.50	2.50	37.81
Overhead Container Winch Reeving OEM Ref P.N.'s; 4148044	D60CB-5-47	3771421217	6.00	3.00	47.00
Ejector Push Out, 20 YD R200 & R300 Series OEM Ref P.N.'s; 4149043	N/A		5.00	3.00	78.00
Ejector Push Out, 25 YD R200 & R300 Series OEM Ref P.N.'s; 080121, 2000102, 2001125	SD52DC-13-119	3771532071	Telescopic		119.00
Ejector Push Out, 30 YD R200 & R300 Series OEM Ref P.N.'s; 2001102, 2001126	SD52DC-13-140	3771532072	Telescopic		140.00

CROSSOVER AND APPLICATION DATA IS FOR REFERENCE ONLY.  
NO OTHER CONDITIONS ARE EXPRESSED OR IMPLIED.

**Pak-Mor FPE800 Front Loader**

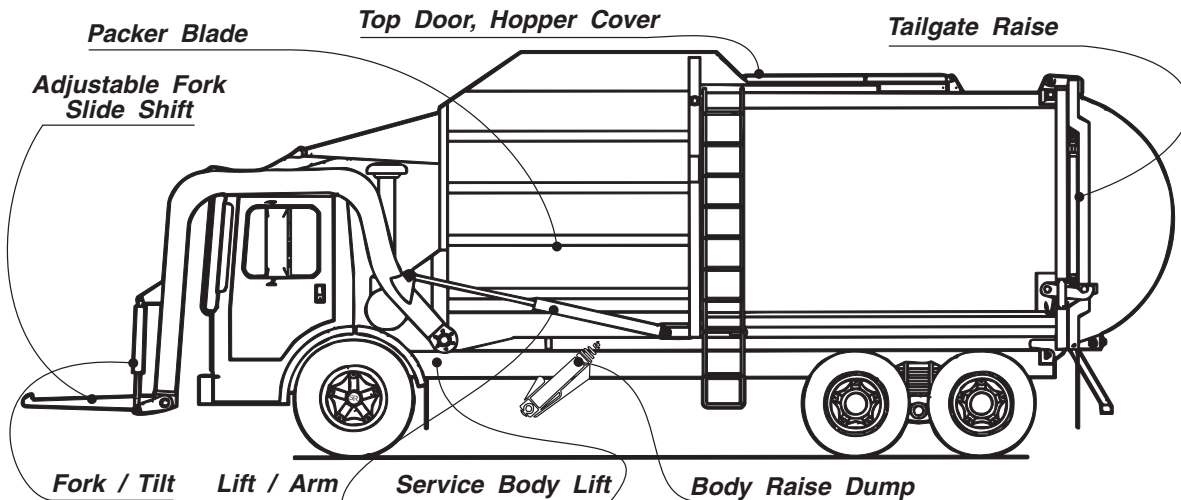


<u>Cylinder Function</u>	<u>Parker Eng#</u>	<u>Parker Number</u>	<u>Bore</u>	<u>Rod</u>	<u>Stroke</u>
Arm / Lift OEM Ref P.N.'s; 4149004	D50CD-3-43.12	3777921062	5.00	2.00	43.13
Fork / Tilt OEM Ref P.N.'s; 4149071	D40CD-12-28	3776821075	4.00	2.00	28.00
Top Door, Sliding OEM Ref P.N.'s; 4149131	D25LL-13-90	3772621130	2.50	1.50	90.00
Tailgate Raise OEM Ref P.N.'s; 4149073	D30LL-7-26.50	3770521094	3.00	1.50	26.50
Packer Blade OEM Ref P.N.'s; 2001183	SD53CC-42-189	3771933017	Telescopic		189.00

CROSSOVER AND APPLICATION DATA IS FOR REFERENCE ONLY.  
NO OTHER CONDITIONS ARE EXPRESSED OR IMPLIED.

## Witke Starlight Front Loader

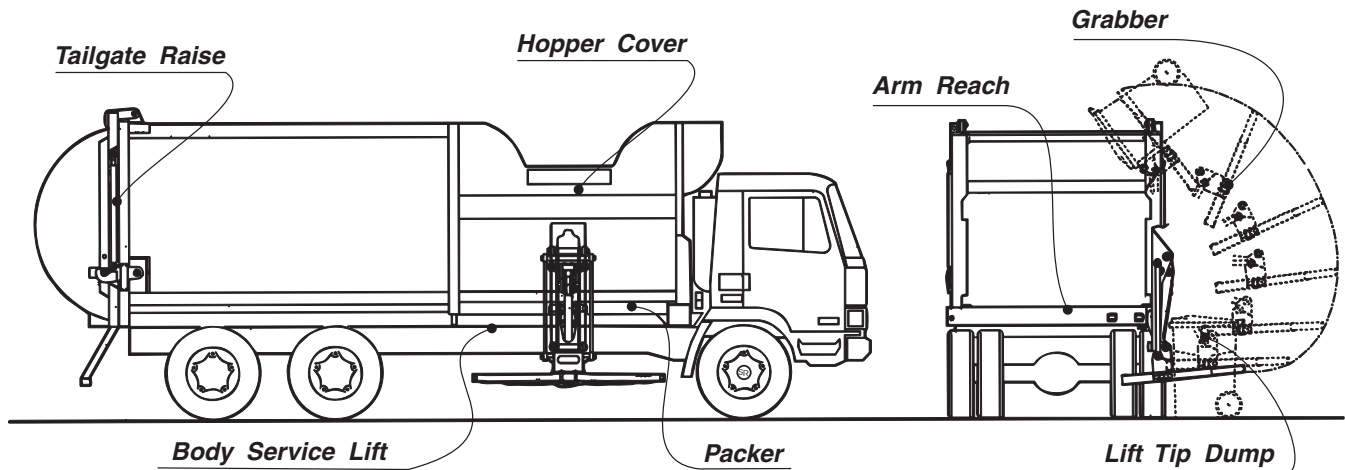
### Witke Starlight Front Loader Commercial and Residential Applications



<u>Cylinder Function</u>	<u>Parker Eng#</u>	<u>Parker Number</u>	<u>Bore</u>	<u>Rod</u>	<u>Stroke</u>
Arm / Lift, 4.00" Bore OEM Ref P.N.'s; FLHC-26B, 016-9900	D40CL-13-45.38	3776821120	4.00	2.00	45.38
Arm / Lift, 4.50" Bore OEM Ref P.N.'s; FLHC-28C, FLHC-26C, 018-9900	D45LD-7-45.38	3774121032	4.50	2.00	45.38
Fork / Tilt OEM Ref P.N.'s; FLHC-27, 014-9900	D35LD-5-19	3773821057	3.50	1.75	19.00
Adjustable Fork / Slide Shift OEM Ref P.N.'s; FLHC-37, 008-9818	N/A		2.00	1.00	13.75
Top Door OEM Ref P.N.'s; FLHC-34, 010-9902	D25LL-15-84	3772621133	2.50	1.50	84.00
Tailgate Raise, Standard Profile OEM Ref P.N.'s; FLHC-25, 010-9901	D25LL-14-42	3772621131	2.50	1.75	42.00
Tailgate Raise, Low Profile OEM Ref P.N.'s; FLHC-29, 010-9900, 110121-2	D25LL-9-36	3772621124	2.50	1.75	36.00
Packer Blade, 38 Yd OEM Ref P.N.'s; FLHC-07, FLHC-18, FLHC-30, FL7-A125W, 095-6024	SD53CD-3-156.88	3771933019	Telescopic		156.88
Packer Blade, 40 Yd OEM Ref P.N.'s; FLHC-08, FLHC-19, FLHC-31, FL7-A117W, 095-6029	SD53CD-3-168	3771933012	Telescopic		168.00
Packer Blade, 44 Yd & 40 Yd Low Profile OEM Ref P.N.'s; FLHC-20, FLHC-32, FL7-A118W, 095-6038	SD53CD-3-185.75	3771533089	Telescopic		185.75
Packer Blade, Tip to Dump OEM Ref P.N.'s; FLHC-02, 022-9000	B5545	3790005545	5.50	3.50	61.50
Body Raise Dump, Gravity Dump OEM Ref P.N.'s; FLHC-06, FLHC-36, 095-1053	S53DB-25-72	3771513188	Telescopic		72.00
Service Body Lift OEM Ref P.N.'s; 100-14-1610, FLHC-42	D30DD-16-16.00	3770521118	3.00	1.25	16.00

CROSSOVER AND APPLICATION DATA IS FOR REFERENCE ONLY.  
NO OTHER CONDITIONS ARE EXPRESSED OR IMPLIED.

Wittke ASL Automated Side Loader

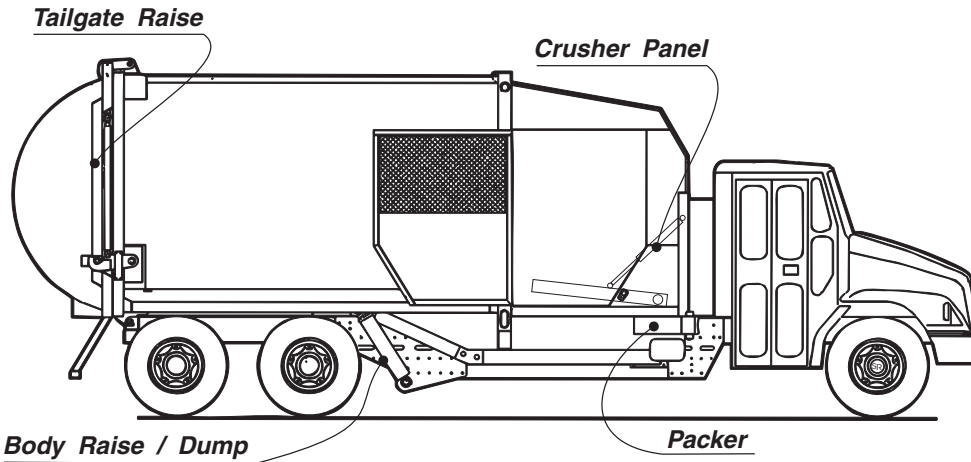


<u>Cylinder Function</u>	<u>Parker Eng#</u>	<u>Parker Number</u>	<u>Bore</u>	<u>Rod</u>	<u>Stroke</u>
Grabber OEM Ref P.N.; AUHC-07	D20CC-6-4	3770121131	2.00	1.25	4.00
Grabber, With Cat Control System OEM Ref P.N.; AL7-A019	N/A				
Arm Reach OEM Ref P.N.; AUHC-04	D15DD-3-66	3776921019	1.50	1.00	66.00
Arm Lift, Tip Dump OEM Ref P.N.; AUHC-09	D30DC-2-17.38	3770521097	3.00	1.50	17.38
Arm Lift, Tip Dump, With Cat Control System OEM Ref P.N.; H10-0273, AL7-A017	D30DC-3-17.38	3770521136	3.00	1.50	17.38
Packer / Ejector, 36 Yard OEM Ref P.N.s; FLHC-32, FLHC-20, FL7-A118W, 095-6038	SD53CD-3-185.75	3771533089	Telescopic		185.75
Packer / Ejector, 32 Yard OEM Ref P.N.s; FLHC-31, FLHC-19, FLHC-08 FL7-A117W, 095-6029	SD53CD-3-168	3771933012	Telescopic		168.00
Packer / Ejector, 26 Yard OEM Ref P.N.s; FLHC-30, FLHC-18, FLHC-07, FL7-A125W, 095-6024	SD53CD-3-156		Telescopic		156.00
Packer Blade, Tip to Dump OEM Ref P.N.; AUHC-08	D50CC-21-18.50	3777921063	5.00	3.50	18.50
Body Raise Dump, Gravity Dump OEM Ref P.N.s; FLHC-06, FLHC-36, 095-1053	S53DB-25-72	3771513188	Telescopic		72.00
Hopper Cover OEM Ref P.N.; AUHC-06	D20DD-7-12.00	3770121137	2.50	1.25	20.00
Tailgate Raise, Standard Profile OEM Ref P.N.s; FLHC-25, 010-9901	D25LL-14-42	3772621131	2.50	1.75	42.00
Tailgate Raise, Low Profile OEM Ref P.N.s; FLHC-29	D25LL-9-36	3772621124	2.50	1.75	36.00
Body Service Lift OEM Ref P.N.s; 100-14-1610	D30DD-16-16.00	3770521118	3.00	1.25	16.00
Side Latch, Air Cylinder OEM Ref P.N.; AL4-A020	N/A				

CROSSOVER AND APPLICATION DATA IS FOR REFERENCE ONLY.  
NO OTHER CONDITIONS ARE EXPRESSED OR IMPLIED.



**Wittke Express Manual Side Loader**



<u>Cylinder Function</u>	<u>Parker Eng#</u>	<u>Parker Number</u>	<u>Bore</u>	<u>Rod</u>	<u>Stroke</u>
Packer OEM Ref P.N.'s; 020-9900, MLHC-02	D50DD-25-40	3777921079	5.00	3.00	40.00
Crusher Panel OEM Ref P.N.'s; 012-9501, 012-9900, MLHC-01	N/A		3.00	1.50	18.00
Tailgate Raise, Standard Profile OEM Ref P.N.'s; FLHC-25, 010-9901	D25LL-14-42	3772621131	2.50	1.75	42.00
Tailgate Raise, Low Profile OEM Ref P.N.'s; FLHC-29, 010-9900, 110121-2	D25LL-9-36	3772621124	2.50	1.75	36.00
Body Raise / Dump OEM Ref P.N.'s; FLHC-06, FLHC-36, 095-1053,	S53DB-25-72	3771513188	Telescopic		72.00

CROSSOVER AND APPLICATION DATA IS FOR REFERENCE ONLY.  
NO OTHER CONDITIONS ARE EXPRESSED OR IMPLIED.

## Quick Reference Guide

### Accurate

22003718.....	D40DD-24-31.50.....	3776821128
A-17.....	D72CC-48-85.....	3772521066
A-18.....	D62CC-36-68.....	3770921069
A-19.....	D52CB-31-6.....	3771521140
HP-HH001.....	D62LB-5-80.....	3771421180
HP-HH002.....	D72LB-9-80.....	3772521122
HP-HH004.....	SD73DB-5-120.....	3772533049
HP-HH007.....	D52CB-31-6.....	3771521140
HP-HH008.....	D62DB-8-79.....	3771421105
HP-HH011.....	SD73DB-5-120.....	3772533049
HP-HH012.....	SD73DB-5-120.....	3772533049
MF-51.....	D72LB-9-80.....	3772521122
MF-51-N.....	D62DB-8-79.....	3771421105
MF-51-N.....	D62DB-8-79.....	3771421105

### American Roll-Off, Automated Waste

110-100.....	SD63CC-46-91.75.....	3771433926
110-200.....	SD63CC-46-109.75.....	3771433927
110-300.....	SD63CC-46-109.75.....	3771433927
110-450.....	D62CB-20-80.88.....	3771421226
110-460.....	D62CC-58-80.88.....	3771421227
110-500.....	D72CB-14-83.62.....	3772521135
110-510.....	D72CC-53-80.88.....	3772521134
110-520.....	D72CC-54-80.....	3772521142
110-710.....	D72CB-11-60.....	3772521065
110-730.....	D30LL-6-36.....	3773221005
110-800.....	D35LC-1-80.....	3770621038
110-870.....	D35LC-1-60.....	3770621037
ARU6088.....	D62CC-58-80.88.....	3771421227
B611.....	D62CB-18-78.....	3771421098

### Capital (Canadian) Disposal

TC-41.....	SD73GF-4-156.....	3772533051
------------	-------------------	------------

### Crane Carrier

67-191.....	SD96MC-4-288.....	3773136005
67-207.....	SD85MC-18-241.....	3772935028
67-218.....	SD95MC-7-239.....	3773135017
67-228.....	SD63CC-15-108.....	3771433034
67-234.....	SD95MC-7-239.....	3773135017
67-247.....	SD74CC-10-161.....	3772534028
67-249.....	SD96MC-4-288.....	3773136005
67-250.....	SD85MC-18-241.....	3772935028
67-260.....	SD63CC-15-116.....	3771433048
67-267.....	SD63CC-15-97.....	3771433058
67-321.....	B5293.....	3790005293
67-329.....	SD83CC-30-129.....	3772933019
74-270.....	SD74CC-10-161.....	3772534028

### Dempster

4AA90316.....	S52DB-10-55.....	3771512085
AB12225.....	D25LL-12-16.....	3772621129
AB12265.....	D25LL-12-16.....	3772621129
AB12308.....	D25LL-12-16.....	3772621129
AB13978.....	D25LL-12-16.....	3772621129
AB15905.....	SD96CC-3-199.....	3773136009
AB17404.....	SD85CC-19-348.....	3772935026
AB17564.....	SD74CC-11-131.....	3772534032
AB17924.....	SD63CC-11-96.....	3771433044
AB19461.....	D3838.....	3790003838
AB19473.....	SD94CC-9-190.....	3773134006
AB19553.....	SD86CC-2-177.....	3772936004
AB19600TH.....	D60CD-5-34.....	3771421254
AB19601TH.....	D50CB-8-27.....	3777921058
AB19602TH.....	D35CC-18-36.88.....	3773821055
AB19610.....	SD53CB-8-92.....	3771533033
AB19774TH.....	D40CE-3-24.....	3776821073
AB19775TH.....	D3812.....	3790003812
AB19868TH.....	D40CE-3-24.....	3776821073

### Dempster

AB19869TH.....	D40CD-10-24.....	3776821072
AB19890TH.....	D3812.....	3790003812
AB26480.....	C3841.....	3790003841
AB26635TH.....	D60CD-5-34.....	3771421254
AB28805.....	SD63CD-2-177.....	3771433940
AB29244.....	D50CC-26-46.88.....	3777921078
AB29246.....	D25LL-16-24.....	3772621136
AB29253.....	D25LL-12-16.....	3772621129
AB29264.....	D40DD-17-42.....	3776821070
AB29334.....	S63MB-14-163.12.....	3771413254
AB29335.....	S52DC-10-89.38.....	3771512077
AB29337.....	D40DD-19-22.50.....	3776821080
AB29405.....	D40CC-25-32.....	3776821088
AB29406.....	D35CD-10-20.....	3773821065
BB1205.....	SF61-5-G1-24.....	3771411024
BB5914.....	SD63CC-11-96.....	3771433044
BB5918.....	SD63CC-11-73.....	3771433025
BB5919.....	SD74CC-11-131.....	3772534032
BB6087.....	SD63CC-11-96.....	3771433044
BB6089.....	SD74CC-11-131.....	3772534032
BB6199.....	SD63CC-11-96.....	3771433044
BB6200.....	SD74CC-11-131.....	3772534032
BB6201.....	SD63CC-11-73.....	3771433025
BB6888.....	D35CC-18-36.88.....	3773821055
BB6996.....	D50CB-8-27.....	3777921058
BB6997.....	D60CD-5-34.....	3771421254
BB8000.....	D3812.....	3790003812
BB8004.....	D40CD-10-24.....	3776821072
BB8010.....	D40CE-3-24.....	3776821073
BB8051.....	D4432.....	3790004432
BB8112.....	D60CD-5-34.....	3771421254
BB8133-1.....	D60CD-5-34.....	3771421254
BB8134-1.....	D50CB-8-27.....	3777921058
BB8169.....	D40CD-10-24.....	3776821072
BB8181.....	D52CB-31-6.....	3771521140
BB8185.....	D3812.....	3790003812
BB8186.....	D52BB-3-48.....	3771521149
BB8206.....	D60CB-6-56.50.....	3771421236
BB8212.....	D60CC-41-68.50.....	3771421238
BB8218.....	B4964.....	3790004964
BB8219.....	B4964.....	3790004964
BB8235.....	D50CB-8-27.....	3777921058
BB8281-1.....	D35CC-18-36.88.....	3773821055
BB8374-1.....	D3812.....	3790003812
BB8379-1.....	D40CE-3-24.....	3776821073
BB8748-1.....	D40CD-10-24.....	3776821072
BB8779.....	D60CC-41-68.50.....	3771421238
BB9042.....	SD86CC-2-177.....	3772936004
BB9290.....	D3838.....	3790003838
BB9694.....	D60CB-4-115.....	3771421097
CB0035.....	D52BB-3-48.....	3771521149
CB0796.....	D70CC-14-85.....	3773721112
CB11061.....	D40CC-25-32.....	3776821088
CB11062.....	D45CC-17-45.....	3774121039
CB1494.....	SF71-4-G1-24.....	3771311001
CB1757.....	D60CC-41-68.50.....	3771421238
CB3603.....	B4964.....	3790004964
CB3618.....	SD85CC-19-348.....	3772935026
CB3717.....	B4807.....	3790004807
CB4540.....	D4050.....	3790004050
CB4748.....	S71CC-42-32.....	3772511102
CB4753.....	SD96CC-3-199.....	3773136009
CB5968.....	SD85CC-19-348.....	3772935026
CB6397.....	D70CC-14-85.....	3773721112
CB7015.....	SD53CC-16-111.....	3771533038
CB7478.....	SD72AC-1-156.....	3772532018
CB7599.....	SD96CC-3-199.....	3773136009
CB7661.....	SD72AC-1-156.....	3772532018
CB7770.....	SD63CC-11-96.....	3771433044

## Quick Reference Guide

### Dempster

CB7771	SD74CC-11-131	3772534032
CB7772	SD63CC-11-73	3771433025
CB7781	SD53CC-16-111	3771533038
CB7947	SD72AC-1-156	3772532018
CB796	D70CC-14-85	3773721112
CB8217	SD96CC-3-199	3773136009
CB8245	SD85CC-20-156	3773035033
CB8321	SD85CC-19-348	3772935026
CS2009	D42GB-2-29	3771221002
CS-700	SF71-4-G1-24	3771311001
DB08142	D35CD-10-20	3773821065
DB1746	SD85CC-20-156	3773035033
DB1747	SD85CC-20-156	3773035033
DB1748	SD96CC-3-199	3773136009
DB2879	D4432	3790004432
DB3452	D4432	3790004432
DB4752	SD85CC-20-156	3773035033
DB4753	SD96CC-3-199	3773136009
DB5801	SD96CC-3-199	3773136009
DB6536	C3841	3790003841
DB7693	B4964	3790004964
DB7694	D3838	3790003838
DB7695	D70CC-14-85	3773721112
DB7699	D52CB-31-6	3771521140
DB8008	D60CC-41-68.50	3771421238
DB8042	D50CB-8-27	3777921058
DB8043	D60CD-5-34	3771421254
DB8044	S35CC-4-37	3776815004
DB8045	SD94CC-9-190	3773134006
DB8052	B4807	3790004807
DB8142	D35CD-10-20	3773821065
DB-8142	D35CD-10-20	3773821065
DB8206	SD63CC-18-163	3771433043
DB8273	S63MB-14-163.12	3771413254
DB8286	D40DD-16-22.50	3776821069
DB8318	S63MB-14-163.12	3771413254
DB8362	D25LL-16-24	3772621136
DB8439	D40DD-19-22.50	3776821080
DB8491	D40DD-17-42	3776821070
DB8752	D50CC-26-46.88	3777921078
DB8809	S52DC-10-89.38	3771512077
DB9135	S52DC-10-89.38	3771512077
DB9151	D50CC-26-46.88	3777921078
DB9168	B4801	3790004801
DB9169	B4802	3790004802
DB9350	SD74CC-11-131	3772534032
DB9361	SD63CD-2-177	3771433940
DB9467	D40DD-19-22.50	3776821080
HSTSP-10SR	D4432	3790004432
SP42-48	C4193	3790004193

### Fanotech

99-01015	SD63CB-26-167	3771433925
99-40007	SD74CC-16-163	3772534053
99-40008	SD63CC-38-124	3771433113

### Emco Rand

81-040	SD62MC-11-210	3771432042
81-054	SD62MC-11-171	3771432040
81-070	SD62MC-12-171	3771432044
81-071	SD62MC-12-234	3771432047
81-072	SD62MC-12-210	3771432046
81-073	SD62MC-12-186	3771432045
81-075	SD62MC-12-171	3771432044
81-076	SD62MC-12-234	3771432047
81-078	SD62MC-12-186	3771432045
81-079	SD62MC-12-210	3771432046
81-089	SD62MC-12-171	3771432044
81-091	SD62MC-12-210	3771432046

### Emco Rand

81-092	SD62MC-12-234	3771432047
--------	---------------	------------

### Ez Pack, McClain, Clean Earth, Peabody Galion

104176ADA	SD94CC-7-176	3778634004
20-04001	3782000014	3782000014
20-35489	SD94CC-7-176	3778634004
20-35522	C3862	3790003862
20-35883	D30DD-7-21.12	3770521057
20-35908	D40DL-2-30.38	3776821029
20-36259	D4107	3790004107
20-36393	D40DD-10-21.62	3776821019
20-39032	SD94CC-7-176	3778634004
20-39762	C3864	3790003864
20-41381	D40CB-10-42	3776821106
20-41382	C3915	3790003915
20-42616	SD94CC-7-176	3778634004
20-43726	D40DB-7-28.5	3776821123
20-43727	D40DB-7-28.5	3776821123
20-44095	D60DC-12-42.62	3771421240
20-44125	D40LB-2-35.31	3776821105
20-44969	D40DB-7-28.5	3776821123
20-44973	D60DC-12-42.62	3771421240
20-45169	D40LB-2-35.31	3776821105
20-45176	C3864	3790003864
20-45450	D60DB-16-67.5	3771421181
20-46008	D25DD-5-63	3772621138
20-46012	D35LD-6-16.50	3774021019
20-46076	D40DB-7-28.5	3776821123
20-46077	D60DC-12-42.62	3771421240
20-46119	D45CD-5-49.12	3774121048
20-46132	C3864	3790003864
20-46133	C3871	3790003871
20-46134	C3862	3790003862
20-46138	C3861	3790003861
20-46139	D60DB-16-67.5	3771421181
20-46141	D25DD-5-63	3772621138
20-46142	D35LD-6-16.50	3774021019
20-46151	D30DD-7-21.12	3770521057
20-46152	D35DL-2-26.31	3774021006
20-46153	D40DL-2-30.38	3776821029
20-46154	D4054	3790004054
20-46155	D40DD-10-21.62	3776821019
20-46156	D4107	3790004107
20-46157	C3915	3790003915
20-46159	D40CB-10-42	3776821106
20-46163	D45CD-5-49.12	3774121048
20-46171	D45CD-5-49.12	3774121048
20-46249	D40LB-2-35.31	3776821105
20-46332	D60DC-8-60	3771421161
20-46372	D40DB-7-28.5	3776821123
20-46448	B4789	3790004789
20-46482	B4789	3790004789
20-47048	D30LD-8-33.38	3770521123
20-47088	D40CB-10-42	3776821106
20-47090	D40LB-2-35.31	3776821105
20-47091	D40DB-7-28.5	3776821123
20-47092	D60DC-12-42.62	3771421240
20-47491	D30DD-7-21.12	3770521057
20-47492	D40DL-2-30.38	3776821029
20-47868	D35LD-3-23.25	3774021004
20-48279	D60DC-12-42.62	3771421240
20-48496	SD94CC-7-176	3778634004
20-48519	D55CC-12-49.12	3771921050
20-48520	D30DD-15-89	3770521116
20-48524	D40LD-2-16.5	3776821020
20-48858	D35DB-2-14.25	3774021007
20-49142	D60DB-16-67.5	3771421181
20-49271	D35LD-6-16.50	3774021019
20-49272	D35LD-3-23.25	3774021004

## Quick Reference Guide

### Ez Pack, McClain, Clean Earth, Peabody Galion

20-49273	D45CD-5-49.12	3774121048
20-49276	D35LD-6-16.50	3774021019
20-49277	D45CD-5-49.12	3774121048
20-49278	D35LD-3-23.25	3774021004
20-49348	D30DD-9-23	3770521067
20-49480	D60DB-16-67.5	3771421181
20-49774	D55CC-2-38.31	3771921030
20-49775	D40CC-16-24.81	3776821024
20-49897	D40DB-7-28.5	3776821123
20-49898	D60DC-12-42.62	3771421240
20-49952	D35LD-6-16.50	3774021019
20-49999	D35LD-6-16.50	3774021019
20-50000	D35LD-3-23.25	3774021004
20-52030	D4354	3790004354
20-52031	D4353	3790004353
20-52344	D45CD-5-49.12	3774121048
20-52345	D35LD-6-16.50	3774021019
20-52346	D35LD-3-23.25	3774021004
20-52347	D30LD-8-33.38	3770521123
20-52348	D30DD-15-89	3770521116
20-52349	D60DB-16-67.5	3771421181
20-52355	D55CC-12-49.12	3771921050
20-52356	D40LD-2-16.5	3776821020
20-52357	D40DD-10-21.62	3776821019
20-52362	D25DD-5-63	3772621138
21-01365	SD62CC-23-70	3771432062
21-01366	SD62CC-23-81	3771432061
21-01367	SD62CC-23-92	3771432060
21-01368	SD63CC-28-124	3771433072
21-01369	SD74CC-13-162.88	3772534042
21-01370	SD62CC-24-82.5	3771432064
21-01371	SD62CC-24-96.5	3771432063
21-01372	SD63CC-27-129	3771433074
21-01374	SD74CC-15-167.50	3772534049
21-01375	SD52CC-25-68.5	3771532053
21-01376	SD52CC-25-82.5	3771532054
21-01377	SD52CC-25-96.5	3771532052
21-01378	SD53CC-30-129	3771533066
21-01379	SD42CC-22-57	3771032027
21-01381	SD52CC-25-92.5	3771532055
21-01382	SD53CC-30-117.25	3771533057
21-01438	S63DC-54-79.31	3771413158
21-01492	S53DC-18-64.75	3771513098
21-01530	D60DC-12-42.62	3771421240
21-01531	D40DB-7-28.5	3776821123
21-01532	D40LB-2-35.31	3776821105
21-01549	D30DL-1-18.5	3770521052
21-01629	S31LC-1-28.56	3770711027
21-01630	D30DD-7-21.12	3770521057
21-01631	D40DL-2-30.38	3776821029
21-01632	S31CC-24-23.56	3770711028
21-01633	SD53CC-29-91.50	3771533056
21-01634	D30DD-6-18	3770521051
21-01635	D35DL-2-26.31	3774021006
21-01636	SD42CB-X-58 9502-06	3771032026
21-01644	S52DB-7-53.62	3771512052
21-01646	S31LC-2-27.5	3770711030
21-01647	D35CD-6-24.81	3773821031
21-01648	D45CC-3-38.31	3775221022
21-01765	SD63CC-27-129	3771433074
21-01819	S53DB-24-82	3771513185
21-01883	D40CC-16-24.81	3776821024
21-01947	D30LC-2-31.5	3770521105
21-01954	D55CC-2-38.31	3771921030
21-01987	SD63CB-26-197	3771433931
21-02112	S53DB-24-92	3771513186
21-02113	S53DB-24-71	3771513184
21-02220	D40DB-7-25.62	3776821122
21-02610	D40DB-7-25.62	3776821122

### Ez Pack, McClain, Clean Earth, Peabody Galion

21-02804	D30DL-2-15.375	3770521054
21-02830	D60DC-8-60	3771421161
21-02832	D40CB-10-42	3776821106
21-02833	D35DB-2-14.25	3774021007
21-03153	D40LD-10-24.75	3776821110
21-03228	D50CB-3-42	3777921005
21-03390	D45LD-6-24	3774121017
21-03471	D35DL-2-26.31	3774021006
21-03472	D40DL-2-30.38	3776821029
21-03854	SD52CB-6-132.75	3771532057
21-03855	D35CD-7-51.31	3774021009
21-03856	D30CD-7-24.75	3770521058
21-03857	D25DD-4-24	3772621097
21-04001	3782000014	3782000014
21-04321	D30CC-8-10.88	3770521061
21-04322	D30CC-7-4.19	3770521060
21-04323	D50CC-14-14.81	3777921006
21-04324	D30CC-9-12.56	3770521062
21-04325	D30CC-9-12.06	3770521063
21-04326	D30CC-9-9.50	3770521064
21-04327	D30CC-9-8.38	3770521065
21-04533	D30DD-9-23	3770521067
21-04536	SD63CB-26-132.75	3771433930
21-04537	SD63CB-26-167	3771433925
21-04538	SD63CB-26-197	3771433931
21-04920	SD62CC-25-132	3771432068
21-04945	D30DD-9-23	3770521067
21-05358	D45CD-4-49.12	3774121047
21-05843	D25DD-5-89	3772621137
21-06096	SD63CB-27-167	3771433935
21-06097	SD63CB-27-195	3771433936
21-06343	D45CD-4-51.31	3774121050
21-06957	B5607	3790005607
21-07434	D30LD-4-24	3770521071
21-07940	D60DB-16-67.5	3771421181
21-09213	D40LD-12-21.75	3776821117
21-09214	D45LD-8-21.75	3774121051
21-09228	D40LD-11-24.75	3776821112
21-09229	D45LD-6-24	3774121017
21-10044	D40LD-6-24.75	3776821044
21-10344	SD62CC-27-133	3771432074
21-10661	D50CB-6-40	3777921038
21-11441	SD52CB-10-132.19	3771532073
21-11903	S64DC-11-99	3771414048
21-11904	S53DC-21-81	3771513143
21-11905	S53DC-21-65	3771513142
21-12474	D60DB-16-67.5	3771421181
21-12475	D60DB-18-67	3771421184
21-12851	D55CC-12-49.12	3771921050
21-14634	D40CC-16-24.81	3776821024
21-14635	D55CC-2-38.31	3771921030
21-14636	D30LC-2-31.5	3770521105
21-14638	SD62CC-24-96.5	3771432063
21-14639	SD63CC-27-129	3771433074
21-14643	SD74CC-15-167.50	3772534049
21-14653	D45CC-3-38.31	3775221022
21-14654	SD52CC-25-68.5	3771532053
21-14655	SD52CC-25-82.5	3771532054
21-14656	SD52CC-25-96.5	3771532052
21-14657	SD53CC-30-129	3771533066
21-14658	D40DB-7-28.5	3776821123
21-14659	D60DC-12-42.62	3771421240
21-14660	D40LB-2-35.31	3776821105
21-14661	D40DB-7-25.62	3776821122
21-14662	SD74CC-13-162.88	3772534042
21-14663	SD63CC-28-124	3771433072
21-14664	SD62CC-23-92	3771432060
21-14665	SD62CC-23-81	3771432061
21-14667	D60DC-8-60	3771421161

## Quick Reference Guide

### Ez Pack, McClain, Clean Earth, Peabody Galion

21-14668	D30DL-2-15.375	3770521054
21-14670	D30DD-7-21.12	3770521057
21-14671	D40DL-2-30.38	3776821029
21-14672	S31LC-1-28.56	3770711027
21-14673	SD53CC-30-117.25	3771533057
21-14674	SD42CC-22-57	3771032027
21-14675	D30DD-6-18	3770521051
21-14676	D35DL-2-26.31	3774021006
21-14677	S31CC-24-23.56	3770711028
21-14678	SD53CC-29-91.50	3771533056
21-14679	D40LD-6-24.75	3776821044
21-14767	SD63CB-13-146	3771433920
21-14769	SD63CB-13-180	3771433919
21-14770	SD63CB-13-180	3771433919
21-14771	SD63CB-13-180	3771433919
21-14773	D56CC-2-67.50	3775921010
21-14783	D56CC-2-67.50	3775921010
21-15639	D55CC-12-49.12	3771921050
21-15640	D45LD-6-24	3774121017
21-15641	D45CD-4-49.12	3774121047
21-15642	D40LD-11-24.75	3776821112
21-15643	D35CD-7-51.31	3774021009
21-15644	D30LD-8-33.38	3770521123
21-15645	D45CD-4-51.31	3774121050
21-15646	D30DD-15-89	3770521116
21-15647	D30DD-9-23	3770521067
21-15648	D50CB-3-42	3777921005
21-15649	S53DC-21-81	3771513143
21-15770	SD63CB-26-167	3771433925
21-15771	SD63CB-27-167	3771433935
21-15772	SD63CB-26-197	3771433931
21-15773	SD63CB-26-132.75	3771433930
21-15774	D45LD-8-21.75	3774121051
21-15775	D40LD-12-21.75	3776821117
21-15777	SD52CB-10-132.19	3771532073
21-15953	SD63CB-13-146	3771433920
21-16048	SD52CB-6-132.75	3771532057
2534DAA	C3915	3790003915
2563ADA	D25DD-5-63	3772621138
30-00147	S63DC-61-92	3771413159
3021CDA	D30DD-7-21.12	3770521057
3021GDA	D30DD-7-21.12	3770521057
3024CDA	3782000014	3782000014
31-00085	D35BC-1-39	3777121002
31-00086	D25BD-1-24	3770121100
31-00118	D25BD-1-40.5	3770121099
31-00119	D40CC-18-48	3775621004
3516BDA	D35LD-6-16.50	3774021019
3526EDA	C3864	3790003864
3526GDA	C3864	3790003864
4021EDA	D40DD-10-21.62	3776821019
4028BDA	D40DB-7-28.5	3776821123
4028CDA	D40DB-7-28.5	3776821123
4028DA	D40DB-7-28.5	3776821123
4030DA	D40DL-2-30.38	3776821029
4030EDA	D40DL-2-30.38	3776821029
4035CDA	D40LB-2-35.31	3776821105
4035EDA	D40LB-2-35.31	3776821105
4522EDA	C3862	3790003862
4526BDA	C3871	3790003871
4548BDA	C3861	3790003861
4549DA	D45CD-5-49.12	3774121048
5292DA	SD52CC-25-92.5	3771532055
53117DA	SD53CC-30-117.25	3771533057
5381B	S53DC-70-80.75	3771513187
5532ADA	D4107	3790004107
5532CDA	D4107	3790004107
5532EDA	D4107	3790004107
6042ADA	D60DC-12-42.62	3771421240

### Ez Pack, McClain, Clean Earth, Peabody Galion

6042DA	D60DC-12-42.62	3771421240
6067DA	D60DB-16-67.5	3771421181
6282DA	SD62CC-20-82	3771432054
6292BDA	SD62CC-23-92	3771432060
6292DA	SD62CC-22-92	3771432058
63124BDA	SD63CC-28-124	3771433072
63124DA	SD63CC-28-124	3771433072
63124DDA	SD63CC-28-124	3771433072
6380	S63DC-54-79.31	3771413158
70-1010	SD85CC-20-156	3773035033
70-1032	SD62CC-20-82	3771432054
70-1114	S63DC-54-79.31	3771413158
70-1235	SD85CC-20-156	3773035033
70-1251	SD85CC-19-378	3772935027
70-1259	S53DC-70-80.75	3771513187
70-1275	SD42CB-X-58 9502-06	3771032026
70-1276	SD53CC-29-91.50	3771533056
70-1308	SD52CC-25-92.5	3771532055
70-1309	SD53CC-30-117.25	3771533057
70-1420	SD94CC-7-176	3778634004
70-1422	SD74CC-13-162.88	3772534042
70-1464	SD62CC-23-92	3771432060
70-1465	SD63CC-28-124	3771433072
70-1478	SD63CC-28-124	3771433072
70-1487	S53DC-70-80.75	3771513187
70-1488	S63DC-54-79.31	3771413158
70-1499	S53DB-24-82	3771513185
70-1503	SD94CC-7-176	3778634004
70-1504	SD53CC-29-91.50	3771533056
70-1506	SD52CC-25-92.5	3771532055
70-1507	SD62CC-23-92	3771432060
70-1508	SD74CC-13-162.88	3772534042
70-1510	SD85CC-19-378	3772935027
70-1511	SD62CC-20-82	3771432054
70-1521	SD42CB-X-58 9502-06	3771032026
70-1546	SD74CC-13-162.88	3772534042
70-1547	SD62CC-23-92	3771432060
70-1548	SD63CC-28-124	3771433072
70-1549	SD85CC-19-378	3772935027
70-1566	SD52CC-25-92.5	3771532055
70-1567	S31LC-1-28.56	3770711027
70-1574	SD94CC-7-176	3778634004
70-1575	SD94CC-7-176	3778634004
70-1577	SD53CC-30-117.25	3771533057
70-1579	SD62CC-23-70	3771432062
70-1581	SD42CC-22-57	3771032027
70-1592	SD63CB-26-167	3771433925
70-1595	S31LC-2-27.5	3770711030
70-1598	SD52CC-25-96.5	3771532052
70-1599	SD53CC-30-129	3771533066
70-1600	SD52CC-25-82.5	3771532054
70-1601	SD63CB-26-132.75	3771433930
70-1602	SD52CC-25-92.5	3771532055
70-1612	SD52CC-25-68.5	3771532053
70-1616	SD63CC-28-124	3771433072
70-1617	SD62CC-23-81	3771432061
70-1618	SD62CC-23-92	3771432060
70-1619	SD63CB-26-167	3771433925
70-1621	SD52CC-25-92.5	3771532055
70-1622	SD52CC-25-96.5	3771532052
70-1623	SD42CB-X-58 9502-06	3771032026
70-1625	SD42CC-22-57	3771032027
70-1626	SD53CC-30-117.25	3771533057
70-1627	SD63CB-26-132.75	3771433930
70-1631	SD74CC-13-162.88	3772534042
70-1632	SD85CC-19-378	3772935027
70-1639	SD53CC-30-129	3771533066
70-1653	S53DC-70-80.75	3771513187
70-1659	S63DC-54-79.31	3771413158

## Quick Reference Guide

### Ez Pack, McClain, Clean Earth, Peabody Galion

70-1660	S63DC-61-92	3771413159
70-1670	S53DC-18-64.75	3771513098
70-1674	SD52CC-25-68.5	3771532053
70-1681	SD62CC-24-82.5	3771432064
70-1682	SD62CC-24-96.5	3771432063
70-1683	SD63CC-27-129	3771433074
70-1685	SD74CC-15-167.50	3772534049
70-1687	SD62CC-24-82.5	3771432064
70-1688	SD62CC-24-96.5	3771432063
70-1689	SD63CC-27-129	3771433074
70-1691	SD74CC-15-167.50	3772534049
70-1704	S31LC-1-28.56	3770711027
70-1705	SD53CC-30-129	3771533066
70-1706	SD63CC-27-129	3771433074
70-1720	SD52CC-25-82.5	3771532054
70-1722	S53DB-24-92	3771513186
70-1725	SD74CC-15-167.50	3772534049
70-1726	SD62CC-24-96.5	3771432063
70-1727	SD63CC-28-124	3771433072
70-1730	SD63CB-26-167	3771433925
70-1731	SD63CB-26-132.75	3771433930
70-1732	S53DC-70-80.75	3771513187
7078DA	D4054	3790004054
74162DA	SD74CC-13-162.88	3772534042
85378DA	SD85CC-19-378	3772935027
94176CDA	SD94CC-7-176	3778634004
94176DA	SD94CC-7-176	3778634004
94176HDA	SD94CC-7-176	3778634004
C2523E	S31CC-24-23.56	3770711028
C3015HDA	D30DL-2-15.375	3770521054
C3018HDA	D30DD-6-18	3770521051
C3021MDA	D30DD-7-21.12	3770521057
C3023GDA	D30DD-9-23	3770521067
C3031DDA	D30LC-2-31.5	3770521105
C3033EDA	D30LD-8-33.38	3770521123
C3089BDA	D30DD-15-89	3770521116
C3128G	S31LC-1-28.56	3770711027
C3128K	S31LC-1-28.56	3770711027
C3526PDA	D35DL-2-26.31	3774021006
C3551BDA	D35CD-7-51.31	3774021009
C4022CDA	D40LD-12-21.75	3776821117
C4025MDA	D40CC-16-24.81	3776821024
C4025NDA	D40DB-7-25.62	3776821122
C4025PDA	D40LD-6-24.75	3776821044
C4025RDA	D40LD-11-24.75	3776821112
C4028MDA	D40DB-7-28.5	3776821123
C4030MDA	D40DL-2-30.38	3776821029
C4035MDA	D40LB-2-35.31	3776821105
C4257ADA	SD42CC-22-57	3771032027
C4257CDA	SD42CC-22-57	3771032027
C4522LOA	D45LD-8-21.75	3774121051
C4525BDA	D45LD-6-24	3774121017
C4538DDA	D45CC-3-38.31	3775221022
C4549NDA	D45CD-4-49.12	3774121047
C4551EDA	D45CD-4-51.31	3774121050
C5042BDA	D50CB-3-42	3777921005
C5067EDA	D56CC-2-67.50	3775921010
C52133BDA	SD52CB-10-132.19	3771532073
C52133CDA	SD52CB-6-132.75	3771532057
C5269CDA	SD52CC-25-68.5	3771532053
C5269EDA	SD52CC-25-68.5	3771532053
C5283BDA	SD52CC-25-82.5	3771532054
C5283EDA	SD52CC-25-82.5	3771532054
C5292FDA	SD52CC-25-92.5	3771532055
C5297CDA	SD52CC-25-96.5	3771532052
C5297EDA	SD52CC-25-96.5	3771532052
C53117EDA	SD53CC-30-117.25	3771533057
C53117JDA	SD53CC-30-117.25	3771533057
C53129CDA	SD53CC-30-129	3771533066

### Ez Pack, McClain, Clean Earth, Peabody Galion

C53129EDA	SD53CC-30-129	3771533066
C5365K	S53DC-18-64.75	3771513098
C5381K	S53DC-70-80.75	3771513187
C5381ZDA	S53DC-21-81	3771513143
C5390A	S53DB-24-92	3771513186
C5391EDA	SD53CC-29-91.50	3771533056
C5538DDA	D55CC-2-38.31	3771921030
C5549CDA	D55CC-12-49.12	3771921050
C6042MDA	D60DC-12-42.62	3771421240
C6060DDA	D60DC-8-60	3771421161
C6281BDA	SD62CC-23-81	3771432061
C6283BDA	SD62CC-24-82.5	3771432064
C6292BDA	SD62CC-23-92	3771432060
C6292HDA	SD62CC-23-92	3771432060
C6292KDA	SD62CC-23-92	3771432060
C6297BDA	SD62CC-24-96.5	3771432063
C6297CDA	SD62CC-24-96.5	3771432063
C6297FDA	SD62CC-24-96.5	3771432063
C63124HDA	SD63CC-28-124	3771433072
C63124JDA	SD63CC-28-124	3771433072
C63124MDA	SD63CC-28-124	3771433072
C63129BDA	SD63CC-27-129	3771433074
C63129CDA	SD63CC-27-129	3771433074
C63133ADA	SD63CB-26-132.75	3771433930
C63133EDA	SD63CB-26-132.75	3771433930
C63167BDA	SD63CB-26-167	3771433925
C63167HDA	SD63CB-26-167	3771433925
C63167JDA	SD63CB-27-167	3771433935
C63198DDA	SD63CB-26-197	3771433931
C6380R	S63DC-54-79.31	3771413158
C6392J	S63DC-61-92	3771413159
C74162DDA	SD74CC-13-162.88	3772534042
C74162EDA	SD74CC-13-162.88	3772534042
C74168BDA	SD74CC-15-167.50	3772534049
C74168DDA	SD74CC-15-167.50	3772534049
C74168FDA	SD74CC-15-167.50	3772534049
C85378DDA	SD85CC-19-378	3772935027
D104176CDA	SD94CC-7-176	3778634004
D104176DDA	SD94CC-7-176	3778634004
D2534CDA	C3915	3790003915
D2534GDA	C3915	3790003915
D2563BDA	D25DD-5-63	3772621138
D30103ADA	B4789	3790004789
D30103BDA	B4789	3790004789
D3021GDA	D30DD-7-21.12	3770521057
D3021HDA	D30DD-7-21.12	3770521057
D3023BDA	D30DD-9-23	3770521067
D3033ADA	D30LD-8-33.38	3770521123
D3089DA	D30DD-15-89	3770521116
D3127A	S31LC-2-27.5	3770711030
D3128D	S31LC-1-28.56	3770711027
D3514CDA	D35DB-2-14.25	3774021007
D3516CDA	D35LD-6-16.50	3774021019
D3516GDA	D35LD-6-16.50	3774021019
D3516JDA	D35LD-6-16.50	3774021019
D3516KDA	D35LD-6-16.50	3774021019
D3523BDA	D35LD-3-23.25	3774021004
D3523DA	D35LD-3-23.25	3774021004
D3526HDA	C3864	3790003864
D3526JDA	D35DL-2-26.31	3774021006
D4016DA	D40LD-2-16.5	3776821020
D4021EDA	D40DD-10-21.62	3776821019
D4021JDA	D40DD-10-21.62	3776821019
D4025ADA	D40CC-16-24.81	3776821024
D4028DDA	D40DB-7-28.5	3776821123
D4028EDA	D40DB-7-28.5	3776821123
D4028FDA	D40DB-7-28.5	3776821123
D4028GDA	D40DB-7-28.5	3776821123
D4028KDA	D40DB-7-28.5	3776821123

## Quick Reference Guide

### Ez Pack, McClain, Clean Earth, Peabody Galion

D4030EDA.....	D40DL-2-30.38 .....	3776821029
D4030FDA.....	D40DL-2-30.38 .....	3776821029
D4035HDA.....	D40LB-2-35.31.....	3776821105
D4035JDA.....	D40LB-2-35.31.....	3776821105
D4042BDA.....	D40CB-10-42.....	3776821106
D4042CDA.....	D40CB-10-42.....	3776821106
D4257DA.....	SD42CC-22-57.....	3771032027
D4258BDA.....	SD42CB-X-58 9502-06 .....	3771032026
D4522JDA.....	C3862.....	3790003862
D4526BDA.....	C3871.....	3790003871
D4548BDA.....	C3861.....	3790003861
D4549ADA.....	D45CD-5-49.12.....	3774121048
D4549BDA.....	D45CD-5-49.12.....	3774121048
D4549DDA.....	D45CD-5-49.12.....	3774121048
D4549EDA.....	D45CD-5-49.12.....	3774121048
D5269BDA.....	SD52CC-25-68.5.....	3771532053
D5283ADA.....	SD52CC-25-82.5.....	3771532054
D5292CDA.....	SD52CC-25-92.5.....	3771532055
D5292DDA.....	SD52CC-25-92.5.....	3771532055
D5292EDA.....	SD52CC-25-92.5.....	3771532055
D5297ADA.....	SD52CC-25-96.5.....	3771532052
D53117DDA.....	SD53CC-30-117.25.....	3771533057
D53129ADA.....	SD53CC-30-129.....	3771533066
D53129BDA.....	SD53CC-30-129.....	3771533066
D5381G.....	S53DC-70-80.75.....	3771513187
D5382C.....	S53DB-24-82.....	3771513185
D5391ADA.....	SD53CC-29-91.50.....	3771533056
D5532EDA.....	D4107.....	3790004107
D5538ADA.....	D55CC-2-38.31.....	3771921030
D5549DA.....	D55CC-12-49.12.....	3771921050
D6042BDA.....	D60DC-12-42.62.....	3771421240
D6042CDA.....	D60DC-12-42.62.....	3771421240
D6042DDA.....	D60DC-12-42.62.....	3771421240
D6042HDA.....	D60DC-12-42.62.....	3771421240
D6060DA.....	D60DC-8-60.....	3771421161
D6067ADA.....	D60DB-16-67.5.....	3771421181
D6067BDA.....	D60DB-16-67.5.....	3771421181
D6067EDA.....	D60DB-16-67.5.....	3771421181
D6270DA.....	SD62CC-23-70.....	3771432062
D6281DA.....	SD62CC-23-81.....	3771432061
D6282FDA.....	SD62CC-20-82.....	3771432054
D6283ADA.....	SD62CC-24-82.5.....	3771432064
D6292CDA.....	SD62CC-23-92.....	3771432060
D6292EDA.....	SD62CC-23-92.....	3771432060
D6297ADA.....	SD62CC-24-96.5.....	3771432063
D63124FDA.....	SD63CC-28-124.....	3771433072
D63124HDA.....	SD63CC-28-124.....	3771433072
D63129ADA.....	SD63CC-27-129.....	3771433074
D63133DA.....	SD63CB-26-132.75.....	3771433930
D63167DA.....	SD63CB-26-167.....	3771433925
D6380L.....	S63DC-54-79.31.....	3771413158
D7078ADA.....	D4054.....	3790004054
D74162ADA.....	SD74CC-13-162.88.....	3772534042
D74162BDA.....	SD74CC-13-162.88.....	3772534042
D74168ADA.....	SD74CC-15-167.50.....	3772534049
D85378BDA.....	SD85CC-19-378.....	3772935027
D85378CDA.....	SD85CC-19-378.....	3772935027
H104176ADA.....	SD94CC-7-176.....	3778634004
J3516HDA.....	D35LD-6-16.50.....	3774021019
J4549FDA.....	D45CD-5-49.12.....	3774121048
K2523D.....	S31CC-24-23.56.....	3770711028
K2524DA.....	D25DD-4-24.....	3772621097
K2563EDA.....	D25DD-5-63.....	3772621138
K2589ADA.....	D25DD-5-89.....	3772621137
K3004DA.....	D30CC-7-4.19.....	3770521060
K3008DA.....	D30CC-9-8.38.....	3770521065
K3009DA.....	D30CC-9-9.50.....	3770521064
K3011DA.....	D30CC-8-10.88.....	3770521061
K3012DA.....	D30CC-9-12.06.....	3770521063

### Ez Pack, McClain, Clean Earth, Peabody Galion

K3013DA.....	D30CC-9-12.56.....	3770521062
K3015GDA.....	D30DL-2-15.375.....	3770521054
K3018FDA.....	D30DL-1-18.5.....	3770521052
K3018GDA.....	D30DD-6-18.....	3770521051
K3021LDA.....	D30DD-7-21.12.....	3770521057
K3023DDA.....	D30DD-9-23.....	3770521067
K3023EDA.....	D30DD-9-23.....	3770521067
K3025BDA.....	D30CD-7-24.75.....	3770521058
K3025CDA.....	D30LD-4-24.....	3770521071
K3031CDA.....	D30LC-2-31.5.....	3770521105
K3033DDA.....	D30LD-8-33.38.....	3770521123
K3089ADA.....	D30DD-15-89.....	3770521116
K3127E.....	S31LC-2-27.5.....	3770711030
K3128J.....	S31LC-1-28.56.....	3770711027
K3514DDA.....	D35DB-2-14.25.....	3774021007
K3516LDA.....	D35LD-6-16.50.....	3774021019
K3523FDA.....	D35LD-3-23.25.....	3774021004
K3525GDA.....	D35CD-6-24.81.....	3773821031
K3526LDA.....	D35DL-2-26.31.....	3774021006
K3526NDA.....	D35DL-2-26.31.....	3774021006
K3549CDA.....	D35CD-7-51.31.....	3774021009
K3551ADA.....	D35CD-7-51.31.....	3774021009
K4016FDA.....	D40LD-2-16.5.....	3776821020
K4021NDA.....	D40DD-10-21.62.....	3776821019
K4022BDA.....	D40LD-12-21.75.....	3776821117
K4025EDA.....	D4354.....	3790004354
K4025FDA.....	D40CC-16-24.81.....	3776821024
K4025GDA.....	D40DB-7-25.62.....	3776821122
K4025JDA.....	D40LD-10-24.75.....	3776821110
K4025KDA.....	D40LD-11-24.75.....	3776821112
K4025LDA.....	D40LD-6-24.75.....	3776821044
K4028LDA.....	D40DB-7-28.5.....	3776821123
K4030JDA.....	D40DL-2-30.38.....	3776821029
K4030LDA.....	D40DL-2-30.38.....	3776821029
K4035LDA.....	D40LB-2-35.31.....	3776821105
K4042DDA.....	D40CB-10-42.....	3776821106
K4257BDA.....	SD42CC-22-57.....	3771032027
K4258DDA.....	SD42CB-X-58 9502-06 .....	3771032026
K4522KDA.....	D45LD-8-21.75.....	3774121051
K4525ADA.....	D45LD-6-24.....	3774121017
K4525DA.....	D45LD-6-24.....	3774121017
K4538FDA.....	D45CC-3-38.31.....	3775221022
K4542DA.....	B5607.....	3790005607
K4549KDA.....	D4353.....	3790004353
K4549LDA.....	D45CD-5-49.12.....	3774121048
K4549MDA.....	D45CD-4-49.12.....	3774121047
K4551CDA.....	D45CD-4-51.31.....	3774121050
K5015ADA.....	D50CC-14-14.81.....	3777921006
K5015DA.....	D50CC-14-14.81.....	3777921006
K5040ADA.....	D50CB-6-40.....	3777921038
K5040BDA.....	D50CB-6-40.....	3777921038
K5042ADA.....	D50CB-3-42.....	3777921005
K5067CDA.....	D56CC-2-67.50.....	3775921010
K52133ADA.....	SD52CB-10-132.19.....	3771532073
K52133DA.....	SD52CB-6-132.75.....	3771532057
K5253A.....	S52DB-7-53.62.....	3771512052
K5269DDA.....	SD52CC-25-68.5.....	3771532053
K5283DDA.....	SD52CC-25-82.5.....	3771532054
K5292GDA.....	SD52CC-25-92.5.....	3771532055
K5297DDA.....	SD52CC-25-96.5.....	3771532052
K53117HDA.....	SD53CC-30-117.25.....	3771533057
K53129DDA.....	SD53CC-30-129.....	3771533066
K53146BDA.....	SD63CB-13-146.....	3771433920
K53180ADA.....	SD63CB-13-180.....	3771433919
K53180BDA.....	SD63CB-13-180.....	3771433919
K5365B.....	S53DC-18-64.75.....	3771513098
K5365CDA.....	S53DC-21-65.....	3771513142
K5371J.....	S53DB-24-71.....	3771513184
K5381N.....	S53DC-70-80.75.....	3771513187

## Quick Reference Guide

### Ez Pack, McClain, Clean Earth, Peabody Galion

K5381XDA.....	S53DC-21-81.....	3771513143
K5382V.....	S53DB-24-82.....	3771513185
K5390B.....	S53DB-24-92.....	3771513186
K5391CDA.....	SD53CC-29-91.50.....	3771533056
K5538CDA.....	D55CC-2-38.31.....	3771921030
K5549ADA.....	D55CC-12-49.12.....	3771921050
K5549BDA.....	D55CC-12-49.12.....	3771921050
K6042LDA.....	D60DC-12-42.62.....	3771421240
K6060CDA.....	D60DC-8-60.....	3771421161
K6067GDA.....	D60DB-16-67.5.....	3771421181
K6067HDA.....	D60DB-16-67.5.....	3771421181
K6067JDA.....	D60DB-16-67.5.....	3771421181
K62133ADA.....	SD62CC-25-132.....	3771432068
K62133BDA.....	SD62CC-27-133.....	3771432074
K6267KDA.....	D60DB-18-67.....	3771421184
K6270ADA.....	SD62CC-23-70.....	3771432062
K6281ADA.....	SD62CC-23-81.....	3771432061
K6283CDA.....	SD62CC-24-82.5.....	3771432064
K6292JDA.....	SD62CC-23-92.....	3771432060
K6297DDA.....	SD62CC-24-96.5.....	3771432063
K63124LDA.....	SD63CC-28-124.....	3771433072
K63129DDA.....	SD63CC-27-129.....	3771433074
K63129EDA.....	SD63CC-27-129.....	3771433074
K63133CDA.....	SD63CB-26-132.75.....	3771433930
K63133DDA.....	SD63CB-26-132.75.....	3771433930
K63146ADA.....	SD63CB-13-146.....	3771433920
K63167DDA.....	SD63CB-26-167.....	3771433925
K63167FDA.....	SD63CB-26-167.....	3771433925
K63167GDA.....	SD63CB-27-167.....	3771433935
K63180BDA.....	SD63CB-13-180.....	3771433919
K63198ADA.....	SD63CB-26-197.....	3771433931
K63198BDA.....	SD63CB-26-197.....	3771433931
K63198CDA.....	SD63CB-27-195.....	3771433936
K6380U.....	S63DC-54-79.31.....	3771413158
K6392N.....	S63DC-61-92.....	3771413159
K6499ADA.....	S64DC-11-99.....	3771414048
K74162CDA.....	SD74CC-13-162.88.....	3772534042
K74168EDA.....	SD74CC-15-167.50.....	3772534049

### G S Products

11071 GS.....	D45CC-18-16.00.....	3774121040
11080 GS.....	D40CC-26-91.50.....	3770821048
11085 GS.....	D40CC-26-69.00.....	3770821049

### G+H Mfg

020116.....	SD63DB-20-115.81.....	3771433943
020133.....	SD53CB-16-133.....	3771533093
020210.....	D70DD-9-79.....	3773721117
50393.....	D70DD-9-79.....	3773721117
5530001.....	SD53CB-16-150.....	3771533094
5530002.....	SD53CB-16-133.....	3771533093
6040004A.....	D60DD-20-79.....	3771421260
7550002.....	SD73DB-11-146.....	3772533079
A1162.....	3782000052.....	3782000052
A2610.....	D50CD-4-30.....	3777921071
A2823.....	D25AA-2-3.00.....	3772621143
A4455.....	D40DD-22-15.....	3776821087
A4456.....	D45DD-8-16.75.....	3774121038
A5340.....	D30DD-17-48.....	3770521119
FA1001.....	D60DD-20-79.....	3771421260
FA1002.....	D70DD-9-79.....	3773721117
H1018.....	D40CD-15-31.88.....	3776821090
H1020.....	D40CD-16-29.50.....	3776821091
H1232.....	SD53CB-16-133.....	3771533093
H1233.....	SD53CB-16-150.....	3771533094
H1234.....	D50CD-4-30.....	3777921071
H1235.....	D40DD-22-15.....	3776821087
H1238.....	D45DD-8-16.75.....	3774121038
H2208.....	SD73DB-10-115.....	3772533078

### G+H Mfg

H3291.....	D60DD-20-79.....	3771421260
H3292.....	D70DD-9-79.....	3773721117
H5166.....	SD73DB-10-115.....	3772533078
H5167.....	SD73DB-11-146.....	3772533079
H5176.....	D70DD-9-79.....	3773721117
H5196.....	D40DD-22-15.....	3776821087
P1331.....	D60DD-20-79.....	3771421260
PH-020-002.....	D40CD-16-29.50.....	3776821091
PH-020-023.....	D40CD-15-31.88.....	3776821090
PH-020-116.....	SD63DB-20-115.81.....	3771433943
PH-020-129.....	SD53CB-8-128.....	3771533040
PH-020-133.....	SD53CB-16-133.....	3771533093
PH-020-157.....	SD53CB-8-157.....	3771533041
PH-020-168.....	D60DD-20-79.....	3771421260
PH-020-201.....	D70DD-9-79.....	3773721117
PH-020-803.....	D50CD-4-30.....	3777921071

### Galbreath

1031.....	D35BB-1-80.....	3774021012
1039.....	D60DB-23-72.....	3771421262
1040.....	D60LN-2-80.....	3771421145
1043.....	D60DB-23-72.....	3771421262
1054.....	D70LN-5-80.....	3773721139
1111.....	SD63CB-23-118.....	3771433922
1119.....	D40BB-2-80.....	3776821036
1124.....	D70LN-2-108.....	3773721022
1126.....	D60DB-23-72.....	3771421262
1163.....	D70LN-2-108.....	3773721022
1656.....	D35BB-1-60.....	3774021011
1944.....	SD52CB-7-79.....	3771532059
2145.....	D60DB-9-136.....	3771421156
2419.....	SD62CB-12-114.....	3771432079
2420.....	SD62CB-12-79.....	3771432077
2452.....	D70LN-2-75.....	3773721021
2455.....	D70LN-5-90.....	3773721140
2460.....	D70LN-5-80.....	3773721139
2461.....	D70LN-2-108.....	3773721022
2463.....	D70LN-5-90.....	3773721140
2464.....	D35BB-1-80.....	3774021012
2476.....	D60LN-2-80.....	3771421145
2477.....	D60LN-2-75.....	3771421148
2494.....	SD62CB-12-94.....	3771432078
3062AO.....	D60LN-2-80.....	3771421145
3074.....	D35BB-1-80.....	3774021012
3090.....	D50DB-4-42.....	3777921009
3091.....	D60BB-3-4.81.....	3771421139
3106.....	D60BB-3-4.81.....	3771421139
3116.....	SD62CB-12-114.....	3771432079
3130.....	D70LN-2-108.....	3773721022
3131.....	SD62CB-12-94.....	3771432078
3139.....	SD62CB-12-114.....	3771432079
3242.....	SD62CB-12-94.....	3771432078
3412.....	D60DB-23-72.....	3771421262
3421.....	D50DB-2-54.....	3777921011
3429.....	D35BB-1-60.....	3774021011
3467.....	D50DB-8-66.....	3777921013
3511.....	D50DB-8-66.....	3777921013
3513.....	D30CD-8-16.....	3770521069
3520.....	D50DB-8-66.....	3777921013
3608.....	D30DB-1-32.....	3770521070
3653.....	S31CB-1-32.....	3770711031
3654.....	D60DB-8-72.....	3771421153
3657.....	D65DB-2-144.....	3773921044
3759.....	D50DB-2-54.....	3777921011
3760.....	D50DB-8-66.....	3777921013
3761.....	D60DB-10-90.....	3771421154
3763.....	D50DB-1-20.....	3777921007
3765.....	D50DB-4-42.....	3777921009
3766.....	D50DB-4-42.....	3777921009



## Quick Reference Guide

### Galbreath

3890.....	D35CD-8-32.....	3774021015
3891.....	D40CD-16-29.50.....	3776821091
3902.....	SD62CB-12-114.....	3771432079
3903.....	SD62CB-12-94.....	3771432078
3904.....	SD85DB-6-248.....	3772935042
4073.....	SD85DB-6-272.....	3772935043
4163.....	SD85DB-6-272.....	3772935043
4164.....	SD74DB-9-200.....	3772534047
4191.....	D35BB-1-60.....	3774021011
4271.....	D50DB-2-54.....	3777921011
4272.....	D50DB-8-66.....	3777921013
4297.....	SD74DB-9-176.....	3772534046
4298.....	SD85DB-6-224.....	3772935041
4299.....	SD85DB-6-248.....	3772935042
4321.....	D50DB-8-66.....	3777921013
4322.....	D60DB-7-56.....	3771421152
4359.....	D50DB-4-42.....	3777921009
4383.....	SD74DB-9-200.....	3772534047
4516.....	SD63CB-14-136.....	3771433106
4557.....	D60DB-9-116.....	3771421155
4558.....	D70DB-4-116.....	3773721026
4585.....	SD63CB-14-173.....	3771433107
4635.....	D35BB-1-60.....	3774021011
4636.....	D35BB-1-80.....	3774021012
4649.....	D35BB-2-38.....	3774021016
4815.....	D60LN-2-80.....	3771421145
4838.....	D40DD-12-24.....	3776821034
4866.....	D40DD-12-24.....	3776821034
4893.....	SD74DB-9-176.....	3772534046
5462.....	D50DB-1-20.....	3777921007
7392.....	D60BB-3-4.81.....	3771421139
8425.....	D50DB-12-54.....	3777921021
8433.....	D60LN-2-75.....	3771421148
8526.....	D40DD-11-32.....	3776821031
8679.....	D60DB-9-116.....	3771421155
8680.....	D70DB-4-116.....	3773721026
8789.....	D50DB-4-42.....	3777921009
8973.....	SD62CB-12-79.....	3771432077
8976.....	SD63DB-15-84.....	3771433108
9009.....	D50DB-8-66.....	3777921013
9010.....	D50DB-9-66.....	3777921014
9015.....	D50DB-5-54.....	3777921010
9016.....	D50DB-12-54.....	3777921021
9017.....	D50DB-3-42.....	3777921008
9018.....	D50DB-4-42.....	3777921009
9321.....	D60DN-2-90.....	3771421149
9374.....	D65DB-1-80.....	3774421020
9488.....	D65DB-2-144.....	3773921044
9498.....	SD42CB-5-192.....	3771032024
9500.....	D60BB-3-4.81.....	3771421139
9566.....	D70DC-2-81.....	3772521104
9587.....	D40HB-1-36.....	3776821032
9627.....	S53DC-17-180.....	3771513096
9759.....	D60DB-8-72.....	3771421153
9780.....	D40BB-1-48.....	3770821034
9814.....	D60DB-9-136.....	3771421156
9819.....	S53DC-17-180.....	3771513096
9846.....	D70LN-5-90.....	3773721140
9848.....	SD42CB-5-192.....	3771032024
9872.....	D60BB-3-4.81.....	3771421139
9889.....	D60LN-2-80.....	3771421145
9892.....	D60DN-2-90.....	3771421149
9900.....	D40BB-2-80.....	3776821036
9902.....	S53DC-17-180.....	3771513096
9912.....	D60DB-9-116.....	3771421155
9920.....	D60DB-23-72.....	3771421262
9921.....	D70LN-5-80.....	3773721139
9922.....	D70LN-2-108.....	3773721022
9923.....	D40BB-2-90.....	3776821037

### Galbreath

9924.....	D70LN-2-75.....	3773721021
9932.....	D50BB-3-52.....	3777921016
9933.....	D30BB-1-37.....	3770521068
9934.....	D70DB-4-116.....	3773721026
A1056.....	SD85CC-19-378.....	3772935027
A1213.....	D60DC-9-78.....	3771421163
A1245.....	D60LN-2-75.....	3771421148
A1452.....	D62DB-10-116.....	3773921043
A1453.....	D60DC-9-78.....	3771421163
A1456.....	SD63CB-14-173.....	3771433107
A1465.....	SD63CB-14-173.....	3771433107
A1527.....	D60DB-23-72.....	3771421262
A1528.....	D70DC-2-81.....	3772521104
A1529.....	D70LN-5-80.....	3773721139
A1574.....	D65DB-2-144.....	3773921044
A1594.....	SD85DC-2-460.....	3772935015
A1606.....	SD63CB-23-118.....	3771433922
A1717.....	D70LN-5-80.....	3773721139
A1745.....	SD63CB-23-118.....	3771433922
A1793.....	D60DB-23-72.....	3771421262
A1888.....	D30BB-1-37.....	3770521068
A1889.....	D40BB-1-48.....	3770821034
A1890.....	D50BB-3-52.....	3777921016
A1891.....	D60BB-3-4.81.....	3771421139
A1896.....	D70LN-2-75.....	3773721021
A1897.....	D70LN-5-80.....	3773721139
A1898.....	D70LN-5-90.....	3773721140
A1899.....	D70LN-2-108.....	3773721022
A1912.....	D60HB-3-52.....	3771421169
A1913.....	D70HB-3-24.....	3773721028
A1913C.....	D70HB-3-24.....	3773721028
A1915.....	D60HB-4-42.....	3771421170
A1916.....	D70HB-4-69.....	3773721029
A1917.....	D40HB-1-36.....	3776821032
A1918.....	D40HB-1-26.....	3776821035
A1922.....	D50DB-2-54.....	3777921011
A1924.....	D35DB-3-30.....	3774021013
A1925.....	D35HB-1-30.....	3774021014
A1927.....	D80LB-1-62.....	3779221001
A1928.....	D70LB-3-62.....	3773721141
A1929.....	D70HB-3-52.....	3773721027
A1929C.....	D70HB-3-52.....	3773721027
A1930.....	D60HB-4-42.....	3771421170
A1930C.....	D60HB-4-42.....	3771421170
A1931.....	D60HB-3-52.....	3771421169
A1931C.....	D60HB-3-52.....	3771421169
A1968.....	D70LN-5-80.....	3773721139
A1969.....	D70LN-5-90.....	3773721140
A2077.....	D50BB-3-52.....	3777921016
A2078.....	SD74DB-9-200.....	3772534047
A2079.....	SD74DB-9-176.....	3772534046
A2080.....	D50DB-1-20.....	3777921007
A2081.....	S31CB-1-32.....	3770711031
A2082.....	D60DN-2-90.....	3771421149
A2083.....	SD62CB-12-114.....	3771432079
A2084.....	D60LN-2-75.....	3771421148
A2152.....	D50BB-3-52.....	3777921016
A2168.....	D40DD-11-32.....	3776821031
A2189.....	D35CD-8-32.....	3774021015
A2190.....	D40CD-16-29.50.....	3776821091
A2191.....	D40DD-12-24.....	3776821034
A2193.....	D40BB-2-80.....	3776821036
A2194.....	D40BB-2-90.....	3776821037
A2195.....	D50DB-3-42.....	3777921008
A2196.....	D30DB-1-32.....	3770521070
A2197.....	D50DB-4-42.....	3777921009
A2198.....	D50DB-5-54.....	3777921010
A2200.....	D50DB-12-54.....	3777921021
A2201.....	D50DB-8-66.....	3777921013

## Quick Reference Guide

### Galbreath

A2202	SD52CB-7-79	3771532059
A2203	D60LN-2-80	3771421145
A2206	D50DB-9-66	3777921014
A2207	D60DB-7-56	3771421152
A2208	D60DB-8-72	3771421153
A2209	D60DB-10-90	3771421154
A2210	D60DB-9-116	3771421155
A2211	D60DB-9-136	3771421156
A2212	SD62CB-12-79	3771432077
A2213	SD62CB-12-94	3771432078
A2214	SD63CB-14-136	3771433106
A2215	SD63CB-14-173	3771433107
A2216	SD63DB-15-84	3771433108
A2217	D65DB-2-144	3773921044
A2224	D70DB-4-116	3773721026
A2226	SD85DB-6-224	3772935041
A2227	SD85DB-6-248	3772935042
A2228	SD85DB-6-272	3772935043
A2274	D65DB-1-80	3774421020
A2452	D70LN-2-75	3773721021
A2538	D70HB-3-24	3773721028
A2539	D70HB-4-69	3773721029
A2540	D70HB-3-52	3773721027
A2541	D60HB-4-42	3771421170
A2542	D60HB-3-52	3771421169
A2650	D50BB-3-45	3777921017
A2651	D30BB-1-28	3770521072
A2805	D50DB-11-54	3777921020
A2806	D50DB-10-42	3777921019
A2807	D40DD-13-32	3776821043
A2857	D60DB-15-54	3771421172
A2858	D50DB-12-54	3777921021
A2887	D30BB-1-16	3770521073
A2932	D60LN-2-90	3771421176
A3073	D30CD-8-16	3770521069
A3075	D30DB-1-32	3770521070
A3081	D30BB-1-37	3770521068
A3083	D35DB-3-30	3774021013
A3085	D35HB-1-30	3774021014
A3087	D35BB-2-38	3774021016
A3089	D35BB-1-60	3774021011
A3091	D35BB-1-80	3774021012
A3093	D40DD-12-24	3776821034
A3095	D40HB-1-26	3776821035
A3097	D40DD-11-32	3776821031
A3099	D40HB-1-36	3776821032
A3101	D40BB-1-48	3770821034
A3103	D40BB-2-90	3776821037
A3105	D50DB-1-20	3777921007
A3107	D50DB-4-42	3777921009
A3109	D50BB-3-52	3777921016
A3111	D50DB-5-54	3777921010
A3113	D50DB-8-66	3777921013
A3115	D60BB-3-4.81	3771421139
A3117	D60LN-2-75	3771421148
A3119	D60LN-2-80	3771421145
A3121	D60DN-2-90	3771421149
A3123	D60DC-9-78	3771421163
A3125	D60HB-4-42	3771421170
A3127	D60HB-3-52	3771421169
A3129	D60DB-15-54	3771421172
A3131	D60DB-8-72	3771421153
A3133	D60DB-9-116	3771421155
A3135	D60DB-9-136	3771421156
A3137	D60DB-23-72	3771421262
A3139	D60DB-10-90	3771421154
A3141	D65DB-2-144	3773921044
A3143	D70LN-2-108	3773721022
A3145	D70LN-2-75	3773721021

A3147	D70LN-5-80	3773721139
A3149	D70LN-5-90	3773721140
A3151	D70DC-2-81	3772521104
A3153	D70HB-3-24	3773721028
A3155	D70HB-3-52	3773721027
A3157	D70DB-4-116	3773721026
A3159	D70HB-4-69	3773721029
A3161	S31CB-1-32	3770711031
A3163	SD42CB-5-192	3771032024
A3165	SD52CB-7-79	3771532059
A3167	SD62CB-12-114	3771432079
A3169	SD62CB-12-79	3771432077
A3171	SD62CB-12-94	3771432078
A3173	SD63CB-23-118	3771433922
A3175	SD63CB-14-136	3771433106
A3177	SD63CB-14-173	3771433107
A3179	D50BB-3-45	3777921017
A3181	D40BB-2-80	3776821036
A3183	D50DB-12-54	3777921021
A3185	SD85DB-6-248	3772935042
A3187	D50DB-10-42	3777921019
A3189	D40DD-13-32	3776821043
A3191	SD63DB-15-84	3771433108
A3279	D50DB-2-54	3777921011
A3327	D60DB-8-72	3771421153
A3359	D50DB-11-54	3777921020
A3377	SD62CB-12-114	3771432079
A3379	SD62CB-12-79	3771432077
A3381	SD62CB-12-94	3771432078
A3383	SD63CB-23-118	3771433922
A3385	SD63CB-14-136	3771433106
A3387	SD63CB-14-173	3771433107
A4543	D60DD-20-79	3771421260
A4545	D70DD-9-79	3773721117
A4635	D35BB-1-60	3774021011
AJ537	D50DB-4-42	3777921009
B1043	D60DB-23-72	3771421262
B2455	D70LN-5-90	3773721140
B2460	D70LN-5-80	3773721139
B2461	D70LN-2-108	3773721022
MX-342	C4803	3790004803
MX-343	B4806	3790004806
MX-344	C4804	3790004804
MXA 1297	SD64CC 9503-26	3771434039
MXA 1300	B4806	3790004806

### Galfab

PC145	D70LN-5-80	3773721139
PC150	D70LN-5-90	3773721140
PC5	SD63CB-23-118	3771433922

### Garwood

207-2368	D50CC-22-20	3777921064
207-2369	D50CC-23-36	3777921065
207-3611	SD63DB-6-108	3771433045
207-3613	SD63DB-6-93	3771433073
207-3614	SD63DB-18-132	3771433933
207-9064	SD74DB-14-171	3772534062
207-9197	D50CC-22-20	3777921064
207-9209	D50CC-23-36	3777921065
207-9470	D50CC-22-20	3777921064
207-9490	D50CC-23-36	3777921065

### Heil

1-1281	SD53CC-25-106	3771533051
1-1344	SD64CC-7-132	3771434035
1-2039	S52CC-41-54.62	3771512092
1-2039-1	S52CC-41-54.62	3771512092
1-2105	D30CL-3-18.44	3770521099
1-2123	SD64CC-7-152	3771434036



## Quick Reference Guide

### Heil

1-2840	B4284	3790004284
1-2847	C4075	3790004075
1-2847-1	C4075	3790004075
1-2878	SD85CC-7-300	3773035013
1-2928	D45CC-11-26.94	3774121027
1-2931	D35CC-17-21.62	3773821056
1-3008	B5347	3790005347
1-3018	SD85CC-22-300	3772935033
1-3138	D90DD-4-166	3772321007
1-3391	SD64CC-7-118	3771434037
1-3455	D90DD-4-166	3772321007
1-3511	C4075	3790004075
1-3513	D30CL-3-18.44	3770521099
1-3615	SD85CC-21-170	3772935029
1-3616	SD84CC-7-127	3773034027
1-3623	B5347	3790005347
1-3625	D62CB-19-89	3771421113
1-3635	D45CC-11-26.94	3774121027
1-3672	D35CC-17-21.62	3773821056
1-3689	SD96CC-3-199	3773136009
1-3690	D60DB-20-63	3771421215
1-3692	D25LD-3-66	3772621122
1-3693	D50CE-2-43.75	3777921057
1-3695	D25LD-3-94	3772621123
1-3705	D60DB-20-63	3771421215
1-3717	D25LD-2-90	3772621121
1-3727	D30CA-2-3.62	3770521101
1-3778	D30CL-4-23.25	3770521100
1-3798	D15CD-6-21	3776921021
1-3801	C4075	3790004075
1-3803	C4075	3790004075
1-3807	C4075	3790004075
1-3809	D45CC-11-26.94	3774121027
1-3830	SD64CC-7-132	3771434035
1-3834	SD53CC-25-106	3771533051
1-3836	SD64CC-7-118	3771434037
1-3838	B4284	3790004284
1-3843	SD64CC-7-152	3771434036
1-3856	D35CC-17-21.62	3773821056
1-3871	SD64CC-7-132	3771434035
1-3875	C4075	3790004075
1-3902	D35CC-17-21.62	3773821056
1-3903	C4075	3790004075
1-3921	D45CC-11-26.94	3774121027
1-3956	D62CB-19-89	3771421113
1-3972	SD85CC-22-300	3772935033
1-4017	D35CC-17-21.62	3773821056
1-4018	D45CC-11-26.94	3774121027
1-4030	SD85CC-25-350	3779635001
1-4050	SD64CC-7-132	3771434035
1-4052	SD53CC-25-106	3771533051
1-4053	SD64CC-7-118	3771434037
1-4054	SD64CC-7-152	3771434036
1-4070	B5347	3790005347
1-4081	C3850	3790003850
1-4093	D50CC-23-36	3777921065
1-4094	D50CC-22-20	3777921064
1-4100	D35CC-17-21.62	3773821056
1-4101	D45CC-11-26.94	3774121027
1-4105	D25CC-10-14.12	3772621119
1-4108	C3847	3790003847
1-4110	C3850	3790003850
1-4123	C4438	3790004438
1-4261	SD63DB-7-132	3771433046
1-4266	SD63DB-17-108	3771433929
1-4267	SD63DB-6-93	3771433073
1-4270	SD74DB-4-171	3772534031
1-4272	C3876	3790003876
1-4275	C3576	3790003576

### Heil

1-4276	C3602	3790003602
1-4277	C3603	3790003603
1-4283	D30CL-3-18.44	3770521099
1-4285	SD85CC-21-170	3772935029
1-4286	SD84CC-7-127	3773034027
1-4297	C3875	3790003875
1-4298	C3563	3790003563
1-4299	C3563	3790003563
1-4305	C4438	3790004438
1-4309	D55CB-5-49.88	3771921034
1-4327	C3603	3790003603
1-4328	D60DB-20-63	3771421215
1-4334	C3847	3790003847
1-4338	C3576	3790003576
1-4339	D25LD-3-66	3772621122
1-4340	D50CE-2-43.75	3777921057
1-4341	D40CD-9-24	3776821071
1-4343	SD74DB-4-171	3772534031
1-4347	D55CC-10-24.25	3771921043
1-4348	S35CC-2-24.75	3776815001
1-4807	S52CC-41-54.62	3771512092
1-4821	SD74DB-4-171	3772534031
1-4824	D50CC-27-36	3777921093
1-4828	D50CC-27-36	3777921093
1-4854	S63DC-80-74.19	3771413261
1-4864	D40CD-9-21.50	3776821077
1-4868	D40CD-14-25	3776821084
1-4869	D50DC-3-45	3777921070
1-4870	D30CL-2-25.25	3770521093
1-4871	D45CC-14-41.50	3774121035
1-4878	C3563	3790003563
1-4880	S35CC-3-24.38	3776815002
1-4881	SD53CD-4-182	3771933016
1-4882	D55DB-2-63	3771921035
1-4884	D50CC-27-36	3777921093
1-4887	D55CC-10-24.25	3771921043
1-4891	S52DB-9-67.50	3771512080
1-4903	D40CD-8-22	3776821067
1-4906	SD53CD-4-169	3771933018
1-4911	SD53CD-4-182	3771933016
1-4915	D50CC-24-34.19	3777921069
1-5015	SD85CC-CP474-411	3799000474
1-5070	SD53CC-51-151.5	3771933036
1-5088	D30CC-17-28.19	3770521108
1-5098	D45CC-19-41.50	3774121041
1-5110	D50CC-27-36	3777921093
1-5111	D55CC-10-24.25	3771921043
1-5112	SD53CD-4-169	3771933018
1-5146	D55CC-6-63	3771921033
1-5147	SD53CC-51-182	3771933032
1-5148	SD53CC-41-141.38	3771933021
1-5149	SD53CC-51-151.5	3771933036
1-5150	D45CC-19-41.50	3774121041
1-6061	D55CB-6-52.88	3771921038
1-6067	SD53CC-51-182	3771933032
1-6069	D40CD-13-37	3776821078
1-6070	D30CC-13-21.62	3770521098
1-6075	SD53CD-4-169	3771933018
1-6076	SD53CC-51-182	3771933032
1-6077	SD53CC-41-141.38	3771933021
1-6078	SD53CC-51-151.5	3771933036
1-6094	D30CC-16-30.50	3770521106
1-6096	SD53CD-4-182	3771933016
1-6099	SD53CD-4-182	3771933016
1-6100	SD53CD-4-169	3771933018
1-6117	S63DC-79-67	3771413260
1-6121	S52DB-9-67.50	3771512080
1-6126	D40CC-27-19	3776821094
1-6142	D30CC-13-21.62	3770521098

## Quick Reference Guide

### Heil

1-6153	D30CA-2-3.62	3770521101
1-6157	S52CC-41-54.62	3771512092
1-6159	B5743	3790005743
1-6160	D30CC-20-8.00	3770521113
1-6161	D30CC-19-16.00	3770521111
1-6162	D17AE-2-71.88	3778121003
1-6163	D30CE-11-18.50	3770521112
1-6164	D50CC-25-43	3777921075
1-6169	D30CC-18-8.00	3770521110
1-6191	S52CC-41-54.62	3771512092
1-6194	D17AE-2-71.88	3778121003
1-6225	SD64DC-6-110.34	3771434056
1-6230	D55CC-6-63	3771921033
1-6247	SD53CC-51-182	3771933032
1-6250	SD53CD-4-169	3771933018
1-6251	SD53CC-41-141.38	3771933021
1-6252	SD53CC-51-151.5	3771933036
1-6255	SD53CD-4-182	3771933016
1-6256	SD53CC-4-182	3771933016
1-6257	SD53CD-4-169	3771933018
1-6316	SD53CC-51-151.5	3771933036
1-6317	SD53CC-54-170.12	3771933035
1-6318	SD53CC-51-182	3771933032
1-6330	D30CC-18-8.00	3770521110
1-6331	D30CC-18-8.00	3770521110
1-6369	D40CD-14-25	3776821084
1-6370	D45CC-19-41.50	3774121041
1-6384	D40CD-8-22	3776821067
1-6385	D40CC-27-19	3776821094
1-6386	D25LD-2-90	3772621121
1-6388	D45CC-19-41.50	3774121041
1-6399	D17AE-2-71.88	3778121003
1-6402	D30CC-18-8.00	3770521110
1-6403	D17AE-2-71.88	3778121003
1-6404	D30CC-19-16.00	3770521111
1-6405	D30CE-11-18.50	3770521112
1-6406	D50CC-25-43	3777921075
1-6407	D30CC-20-8.00	3770521113
1-6416	D30CC-18-8.00	3770521110
1-6425	S52CC-41-67.25	3771512091
1-6427	SD64DC-7-133.12	3771434058
1-6445	S52CC-41-54.62	3771512092
1-6456	D55CC-9-35.88	3771921041
1-6457	D55CC-7-24	3771921039
1-6521	D30CC-17-28.19	3770521108
1-6522	D30CA-2-3.62	3770521101
1-6525	D55CC-6-63	3771921033
1-6554	D30CE-11-18.50	3770521112
1-6560	D50CC-24-34.19	3777921069
1-6570	D50LC-2-24.50	3777921068
1-6581	D50CC-25-43	3777921075
1-6582	C3576	3790003576
1-6597	SD53CC-51-182	3771933032
1-6598	SD53CC-51-151.5	3771933036
1-6610	D50CC-27-36	3777921093
1-6611	D55CC-10-24.25	3771921043
1-6669	D40CD-14-25	3776821084
1-6670	D40CD-8-22	3776821067
1-6671	D40CC-27-19	3776821094
1-6720	D30CA-2-3.62	3770521101
1-6721	D30CC-17-28.19	3770521108
1-6777	D40CD-14-25	3776821084

### Huge Haul

01-0207	SD63CB-23-118	3771433922
4-01-0207	SD63CB-23-118	3771433922

### Impact / Mabar

0020-009	SD62MC-12-186	3771432045
0020-017	SD62MC-12-210	3771432046
0020-028	SD62MC-12-234	3771432047

### Kann Mfg

050830	B5345	3790005345
1400047	B5061	3790005061
1400067	D35DD-3-16	3790005389
140010	B5425	3790005425
1400101	D30CD-13-28	3770521128
1400102	B4775	3790004775
1400104	SD52CC-29-72	3771532074
1400105	SD62CB-13-84	3771432080
1400106	D65CC-9-66	3773921049
1400107	B5062	3790005062
1400108	B5066	3790005066
1400112	B5275	3790005275
1400114	B5357	3790005357
1400116	B5355	3790005355
1400117	B5370	3790005370
1400118	D35LL-7-16	3790005423
1400119	D35LL-8-16	3790005424
1400121	D40MD-1-72	3776821092
1400122	SD63CB-CP457-167	3799000457
1400123	B5641	3790005641
1400124	B5703	3790005703
1400125	B5704	3790005704
1400126	B5705	3790005705
1400127	B5706	3790005706
1400128	D30LD-10-36	3770521127
1400129	B5639	3790005639
1400130	B5640	3790005640
1400132	B5711	3790005711
1400133	B5710	3790005710
1400134	B5702	3790005702
1400135	D35CC-28-38	3773821086
1400136	B5773	3790005773
1400137	SD63CB-CP574-120	3799000574
1400138	B5850	3790005850
1400139	B5851	3790005851
1400140	SD63CB-29-138	3771433948
1400141	B5879	3790005879
1400142	B5880	3790005880
1400147	SD52DB-CP547-84	3799000547
1400148	SD52DB-CP557-70	3799000557
1400150	B5983	3790005983
1400153	SD63CB-CP620-94	3799000620
1400156	B6367	3790006367
1400165	SD52CB-11-85	3771532075
1400169	SD53CB-17-121	3771533101
1400172	D40DD-22-15	3776821087
1400173	D25AA-2-3.00	3772621143
1400174	D50CD-4-30	3777921071
1400175	D45DD-8-16.75	3774121038
1400177	D55CB-5-49.88	3771921034
1400178	D25CC-10-14.12	3772621119
1400180	SD53CB-18-138	3771533109
3701054	B4775	3790004775
3750012	B5329	3790005329
3850017	D35DD-3-16	3790005389
3850083	C5267	3790005267
P4073-1	SD62CB-13-84	3771432080
P4073-T	SD62CB-13-84	3771432080
P4074-1	SD52CC-29-72	3771532074
P4074-T	SD52CC-29-72	3771532074

## Quick Reference Guide

### K-PAC / Krause Corp

21-141 ..... D70LN-5-80 ..... 3773721139

### Labrie Equipment

020-9431-20 ..... D50DC-4-40 ..... 3771521170

### Labrie Equipment

HYC00315 ..... D25LC-3-28 ..... 3772621140

HYC00320 ..... D25LC-4-39 ..... 3772621148

HYC00360 ..... D25DD-6-14.50 ..... 3772621141

HYC00510 ..... D50DC-4-40 ..... 3771521170

HYC01550 ..... D32CC-12-15.50 ..... 3770721133

HYC02300 ..... D50DC-5-84.13 ..... 3777921074

HYCO1550 ..... D32CC-12-15.50 ..... 3770721133

### Leach

15373 ..... D40CD-11-15 ..... 3776821074

16902 ..... SD83CC-27-126 ..... 3772933013

200868 ..... SD75OO-2-113 ..... 3772535005

200869 ..... SD75OO-1-100 ..... 3772535004

200870 ..... SD64OO-1-87 ..... 3771434023

201500 ..... SD86OO-1-146 ..... 3772936002

20278 ..... SD75OO-1-100 ..... 3772535004

209785 ..... SD63DC-19-81 ..... 3771433946

209786 ..... SD63DC-19-101 ..... 3771433937

209787 ..... SD64DC-5-145 ..... 3771434054

210629 ..... S35CL-2-32.69 ..... 3776815003

210658 ..... D45CC-16-32.50 ..... 3774121037

210659 ..... D55CC-8-37 ..... 3771921040

210847 ..... SD64DC-5-156 ..... 3771434055

2R1006A ..... D60BC-5-30.31 536 ..... 3771421251

2R1008R ..... D60BC-5-30.31 495 ..... 3771421251

300679 ..... D60BC-5-30.31 495 ..... 3771421251

300900 ..... D60BC-5-30.31 495 ..... 3771421251

300990 ..... D60BC-5-30.31 495 ..... 3771421251

302385 ..... D30DD-13-14.25 ..... 3770521096

302514 ..... D20LL-6-3.25 ..... 3770121130

302525 ..... SD63CC-23-167 ..... 3771433059

302549 ..... D30LD-6-28.62 ..... 3770521103

303407 ..... SD63CC-23-167 ..... 3771433059

303904 ..... D60BC-5-30.31 495 ..... 3771421251

304000 ..... SD63CC-23-167 ..... 3771433059

304168 ..... D60BC-5-30.31 ..... 3771421251

304805 ..... D60BC-5-30.31 536 ..... 3771421251

305111 ..... SD63CC-23-146 ..... 3771433064

305112 ..... D45CC-13-42 ..... 3774121030

305127 ..... D45CC-13-42 ..... 3774121030

305240 ..... D45LC-2-44.25 ..... 3774121029

305241 ..... D45LC-2-44.25 ..... 3774121029

305687 ..... SD63CC-29-146 ..... 3771433077

305688 ..... SD63CC-39-167 ..... 3771433906

305827 ..... D60BC-5-30.31 495 ..... 3771421251

305960 ..... D20CL-2-12.75 ..... 3770121132

305972 ..... D60CF-3-32.38 ..... 3771421225

305975 ..... D60CF-2-57 ..... 3771421223

306459 ..... D45LC-2-42 ..... 3774121028

306460 ..... D30LD-5-28.62 ..... 3770521095

306462 ..... D25CC-12-100.50 ..... 3772621127

306463 ..... D45CC-13-42 ..... 3774121030

306464 ..... D45CC-13-42 ..... 3774121030

306465 ..... D45LC-2-44.25 ..... 3774121029

306466 ..... D20CL-2-12.75 ..... 3770121132

306562 ..... D60BC-5-30.31 495 ..... 3771421251

306633 ..... D45CC-13-42 ..... 3774121030

306634 ..... D45CC-13-44.25 ..... 3774121031

306635 ..... D45LC-2-42 ..... 3774121028

306636 ..... D45LC-2-44.25 ..... 3774121029

306811 ..... D25CC-12-87.50 ..... 3772621126

307081 ..... D60BC-5-30.31 ..... 3771421251

307082 ..... D60BC-6-27.81 ..... 3771421256

307534 ..... D35CD-9-26.75 ..... 3773821061

### Leach

32046 ..... D60BC-5-30.31 495 ..... 3771421251

37815 ..... SD83CC-27-126 ..... 3772933013

39726 ..... SD86CC-1-171 ..... 3772936001

400383 ..... D60CF-3-32.38 ..... 3771421225

400496 ..... S21LL-2-1.5 ..... 3771411106

400753 ..... S41LC-1-39.38 ..... 3771011057

401056 ..... S41LC-1-39.38 ..... 3771011057

401207 ..... D40CD-11-15 ..... 3776821074

401966 ..... D50CB-9-32.50 ..... 3777921067

402051 ..... D40CL-5-32.69 ..... 3776821116

402087 ..... D60CF-2-57 ..... 3771421223

402160 ..... S41LC-1-39.38 ..... 3771011057

402324 ..... S41LC-1-39.38 ..... 3771011057

402979 ..... SD75MC-1-200 ..... 3772535008

403261 ..... D50CB-9-32.50 ..... 3777921067

404411 ..... D50CB-9-32.50 ..... 3777921067

405089 ..... S41LC-1-39.38 ..... 3771011057

405112 ..... D40CL-5-32.69 ..... 3776821116

405964 ..... D40CD-11-15 ..... 3776821074

406368 ..... D60CF-3-32.38 ..... 3771421225

406369 ..... S41LC-1-39.38 ..... 3771011057

406370 ..... S21LL-2-1.5 ..... 3771411106

406399 ..... S41LC-1-39.38 ..... 3771011057

406578 ..... D50CB-9-32.50 ..... 3777921067

406579 ..... D40CL-5-32.69 ..... 3776821116

406582 ..... D60CF-2-57 ..... 3771421223

406639 ..... S41LC-1-39.38 ..... 3771011057

407028 ..... D40CL-3-23.50 ..... 3776821076

41296 ..... SD85CC-15-125 ..... 3772935003

41297 ..... SD84CC-11-104 ..... 3772934012

41298 ..... SD85CC-15-125 ..... 3772935003

41354 ..... D60CF-3-32.38 ..... 3771421225

41357 ..... D60CF-3-32.38 ..... 3771421225

601429 ..... S41LC-1-39.38 ..... 3771011057

602163 ..... D30LD-6-28.62 ..... 3770521103

605250 ..... D40CD-11-15 ..... 3776821074

700081 ..... D60BC-5-30.31 528 ..... 3771421251

700289 ..... D60BC-6-27.81 528 ..... 3771421256

701479 ..... S35CL-2-32.69 ..... 3776815003

704647 ..... D45CC-16-32.50 ..... 3774121037

709174 ..... S35CL-2-32.69 ..... 3776815003

713757 ..... D45CC-16-32.50 ..... 3774121037

713764 ..... D55CC-8-37 ..... 3771921040

713767 ..... D60CF-2-57 ..... 3771421223

715101 ..... D50CB-9-32.50 ..... 3777921067

717488 ..... D60BC-5-30.31 528 ..... 3771421251

718876 ..... SD64DC-5-145 ..... 3771434054

718878 ..... SD63DC-19-101 ..... 3771433937

718909 ..... SD63DC-19-81 ..... 3771433946

718912 ..... SD64DC-5-156 ..... 3771434055

D40CL-5-32.69 ..... D40CL-5-32.69 ..... 3776821116

PO1166 ..... D60CF-3-32.38 ..... 3771421225

PO265 ..... S41LC-1-39.38 ..... 3771011057

### Loadmaster

11071 ..... SD64CC-10-126 ..... 3771434050

11074 ..... SD64MC-1-114 ..... 3771434004

11079 ..... D52CD-73-41 ..... 3771521111

11081 ..... SD63MB-10-148 ..... 3771433011

11083 ..... SD63MB-10-128 ..... 3771433010

11085 ..... SD63MB-10-95 ..... 3771433009

11088 ..... SD64MC-1-146 ..... 3771434011

11100 ..... SD75CC-5-159 ..... 3772535013

11102 ..... SD64MC-1-111 ..... 3771434013

14962 ..... S51CC-26-22 ..... 3771511033

14963 ..... S41CC-29-18 ..... 3771011039

14964 ..... D42CD-86-48 ..... 3771021101

14965 ..... D42CD-86-31 ..... 3771021100

14966 ..... D52CD-73-41 ..... 3771521111

## Quick Reference Guide

### Loadmaster

14967.....	D52CB-29-16 .....	3771521109
14968.....	D72CD-24-16 .....	3772521036
14969.....	D40CB-8-21 .....	3776821085
14970.....	D52CB-30-38 .....	3771521110
150003-1 .....	SD63MB-10-115 .....	3771433015
150005-1 .....	SD63MB-10-148 .....	3771433011
150006-1 .....	SD63MB-10-95 .....	3771433009
150007-1 .....	D52CB-29-16 .....	3771521109
150009-1 .....	D42CD-86-48 .....	3771021101
150010.....	D42CD-86-31 .....	3771021100
150010-1 .....	D42CD-86-31 .....	3771021100
150011-1 .....	S51CC-26-22 .....	3771511033
150018-1 .....	D42CD-86-31 .....	3771021100
150029-1 .....	S41CC-29-18 .....	3771011039
150033-1 .....	D72CD-24-16 .....	3772521036
150037-1 .....	SD63MB-10-128 .....	3771433010
150039.....	D52CB-30-38 .....	3771521110
150040-1 .....	D40CB-8-21 .....	3776821085
150042-1 .....	SD63MB-10-95 .....	3771433009
150043-1 .....	SD63MB-10-115 .....	3771433015
150044-1 .....	SD63MB-10-148 .....	3771433011
150045-1 .....	SD63MB-10-128 .....	3771433010
150046-1 .....	S51CC-26-22 .....	3771511033
150047-1 .....	S41CC-29-18 .....	3771011039
150048-1 .....	D42CD-86-48 .....	3771021101
150049-1 .....	D42CD-86-31 .....	3771021100
150050-1 .....	D52CB-29-16 .....	3771521109
150051-1 .....	D40CB-8-21 .....	3776821085
150053-1 .....	D52CD-73-41 .....	3771521111
150054-1 .....	S51CC-26-22 .....	3771511033
150066.....	SD64CC-10-126 .....	3771434050
150070.....	D72CD-24-16 .....	3772521036
150071-1 .....	D52CD-73-41 .....	3771521111
150072-1 .....	SD64CC-10-126 .....	3771434050
150074.....	SD63MB-10-95 .....	3771433009
150075.....	SD63MB-10-115 .....	3771433015
150076.....	SD63MB-10-148 .....	3771433011
150077.....	SD63MB-10-128 .....	3771433010
150079-1 .....	S41CC-29-18 .....	3771011039
150080-1 .....	D42CD-86-48 .....	3771021101
150082-1 .....	D52CB-29-16 .....	3771521109
150083-1 .....	D40CB-8-21 .....	3776821085
150084.....	D52CB-30-38 .....	3771521110
150089-1 .....	SD64CC-5-107 .....	3771434029
150094.....	SD64MC-1-114 .....	3771434004
150124-1 .....	S41CC-29-18 .....	3771011039
150125-1 .....	S51CC-26-22 .....	3771511033
150126.....	D52CD-73-41 .....	3771521111
150127.....	D72CD-24-16 .....	3772521036
150128.....	SD63MB-10-148 .....	3771433011
150129.....	D52CB-29-16 .....	3771521109
150130.....	D52CB-30-38 .....	3771521110
150131-1 .....	D42CD-86-48 .....	3771021101
150132.....	SD63MB-10-128 .....	3771433010
150133.....	SD63MB-10-95 .....	3771433009
150134-1 .....	D42CD-86-31 .....	3771021100
150151-1 .....	SD64MC-1-146 .....	3771434011
150206.....	SD75CC-5-159 .....	3772535013
150208-1 .....	SD64MC-1-81 .....	3771434025
150209-1 .....	SD64MC-1-101 .....	3771434024
150210-1 .....	SD64MC-1-111 .....	3771434013
150570.....	D30CB-5-16 .....	3770521107
150586.....	SD64CC-10-126 .....	3771434050
15409.....	SD64MC-1-101 .....	3771434024
15422.....	D30CB-5-16 .....	3770521107
15430.....	SD63MB-10-115 .....	3771433015
15872.....	D72CD-24-16 .....	3772521036
16058.....	SD64MC-1-81 .....	3771434025
16199.....	23586 .....	3759006830

### Loadmaster

17479.....	SD64MC-1-101 .....	3771434024
17506.....	SD64CC-10-126 .....	3771434050
17673.....	SD64MC-1-81 .....	3771434025
17674.....	SD64MC-1-101 .....	3771434024
17675.....	SD64MC-1-114 .....	3771434004
17676.....	SD64MC-1-111 .....	3771434013
17677.....	SD64MC-1-146 .....	3771434011
17678.....	SD64CC-10-126 .....	3771434050
17834.....	D55CB-7-40.50 .....	3771921042
20146.....	SD64CC-5-107 .....	3771434029
20147.....	SD64CC-12-113 .....	3771434057
20148.....	SD64CC-10-147 .....	3771434051
22968.....	D42CD-86-31 .....	3771021100
22972.....	D42CD-86-48 .....	3771021101
22973.....	D52CB-29-16 .....	3771521109
22974.....	D55CB-7-40.50 .....	3771921042
22975.....	D72CD-24-16 .....	3772521036
22977.....	D40CB-8-21 .....	3776821085
22978.....	D52CD-73-41 .....	3771521111
23585.....	S51CC-26-22 .....	3771511033
750006.....	S51CC-26-22 .....	3771511033
750010.....	D52CD-73-41 .....	3771521111
750011.....	D52CB-29-16 .....	3771521109
750012.....	D72CD-24-16 .....	3772521036
750013.....	D40CB-8-21 .....	3776821085
750174.....	23586 .....	3759006830
750177.....	D50CB-10-49 .....	3777921072
750182.....	D55CB-7-40.50 .....	3771921042
EO 3760 .....	SD64CC-5-107 .....	3771434029

### Lodal

9930216.....	SD84CC-21-135 .....	3772934037
9930230.....	SD74CC-12-135 .....	3772534033
9930251.....	SD52CC-24-111 .....	3771532049
9930254.....	SD42CC-19-111 .....	3771032025
9930258.....	SD95CC-3-160 .....	3773135018
9930260.....	SD84CC-21-135 .....	3772934037
9930272.....	SD42CC-19-111 .....	3771032025
9930303.....	SD42CC-19-111 .....	3771032025
9930341.....	SD53CC-36-155 .....	3771533084
9930361.....	SD53CC-36-155 .....	3771533084

### Marathon

04-0127 .....	D70DD-7-79 .....	3773721110
04-0670 .....	D100DD-2-96 .....	3772321025
04-0680 .....	D100DD-2-128 .....	3772321021
04-2000 .....	D60DB-23-72 .....	3771421262
04-2001 .....	SD63CB-23-118 .....	3771433922
04-2002 .....	D70LN-3-80 .....	3773721111
04-2003 .....	D70LN-5-90 .....	3773721140
92-3650 .....	SD63DB-17-108 .....	3771433929

### Maxon

202104.....	C3831 .....	3790003831
202322.....	C4184 .....	3790004184
213035.....	C4184 .....	3790004184
222740.....	C3694 .....	3790003694
401216.....	S53DB-22-63 .....	3771513182
401222.....	D60DD-4-69 .....	3771421090
401281.....	B4099 .....	3790004099
401282.....	B3759 .....	3790003759
404600.....	B3759 .....	3790003759
404601.....	B4099 .....	3790004099
404614.....	C3694 .....	3790003694
404800.....	C3820 .....	3790003820
404905.....	D3832 .....	3790003832
800000.....	C3831 .....	3790003831
801374.....	C3831 .....	3790003831
D2382A.....	C3820 .....	3790003820

## Quick Reference Guide

### Maxon

D2778	C3831	3790003831
D2812	C3694	3790003694
D2816	D3832	3790003832

### McClain

1001134	D50DB-7-40	3777921015
1001135	D50DB-7-40	3777921015
1001139	D60DB-13-54	3771421164
1001140	D60DB-14-58	3771421165
1001141	D60CC-26-78	3771421146
1001143	D60DB-12-108	3771421160
1001144	SD72DB-3-76	3772532030
1001145	D70CC-7-78	3773721011
1001146	D70DB-2-115	3773721013
1001147	SD73DB-8-115	3772533069
1001149	SD85CC-24-236	3772935044
1001151	SD85MC-21-384	3772935038
1001152	SD85CC-24-304	3772935049
1001154	SD96MC-8-384	3773136017
1001155	SD96MC-5-456	3773136007
1001156	SD96MC-8-480	3773136025
1001157	D100DB-3-155	3773121042
1002190	D62LB-5-80	3771421180
1002191	D72LB-9-80	3772521122
1002432	SD73DB-8-160	3772533068
HCL10X155	D100DB-3-155	3773121042
HCL5X31	D50DB-7-40	3777921015
HCL5X40	D50DB-7-40	3777921015
HCL6X108	D60DB-12-108	3771421160
HCL6X54	D60DB-13-54	3771421164
HCL6X58	D60DB-14-58	3771421165
HCL6X78	D60CC-26-78	3771421146
HCL72X77	SD72DB-3-76	3772532030
HCL73X115	SD73DB-8-115	3772533069
HCL7X115	D70DB-2-115	3773721013
HCL7X78	D70CC-7-78	3773721011
HCL85X236	SD85CC-24-236	3772935044
HCL85X384	SD85MC-21-384	3772935038
HCL95X303	SD85CC-24-304	3772935049
HCL96X384	SD96MC-8-384	3773136017
HCL96X456	SD96MC-5-456	3773136007
HCL96X480	SD96MC-5-480	3773136008
K5067EDA	SD51CB-2-67.5	3771931001
MMH1501000	SD72DB-3-76	3772532030
MMH1601000	D60CC-26-78	3771421146

### McNeilus (MTM)

0126158	S63DC-77-66	3771413258
0126248	B6225	3790006225
0126256	D45DD-10-52.75	3774121054
0126257	B5427	3790005427
0126261	B6273	3790006273
0126262	B6242	3790006242
0601048	D3784	3790003784
0601930	S28CC-2-38.00	3776718001
0604124	SD53CC-48-164	3771933024
0604126	D60DC-13-65.75	3771421247
0604134	D50DD-29-25.62	3777921097
0604135	D55DD-14-38.62	3771921049
0604136	S31CB-2-42	3773811005
0604137	SD74DC-7-119	3772534040
0604138	SD85DC-7-163	3772935036
0604139	SD63DC-74-71.75	3771433939
0604142	SD63DC-7-88	3771433071
0604143	D4291	3790004291
0604144	D4292	3790004292
0604145	D45DD-9-23	3774121049
0604146	D50DD-30-32.50	3777921098

### McNeilus (MTM)

0604149	D4389	3790004389
0604976	D50DD-32-37.25	3777921102
0605700	B5473	3790005473
0605702	D30CL-5-24	3770521130
0605951	B6190	3790006190
0605952	B6191	3790006191
0606950	C3847	3790003847
0606953	B5347	3790005347
0606956	SD74DC-CP410-104	3799000410
0606960	C3850	3790003850
0606967	SD63DC-CP507-82	3799000507
0606969	SD63DC-7-61	3799000441
0606971	SD63DC-CP493-46	3799000493
0614333	D35CC-27-26	3773821085
0614371	D20DD-8-95	3770121144
0614374	SD53CC-48-170	3771933027
0615860	C4539	3790004539
0615862	S64DB-10-73	3771414053
0617862	B4708	3790004708
0619876	D30CD-9-20	3790005461
0619881	C5219	3790005219
0619882	D32LL-11-38	3770721137
0619891	D45CC-20-46	3774121043
0622238	D60DB-20-63	3771421215
0633832	S75DB-CP394-86	3799000394
0633849	B6310	3790006310
0634906	D20LL-8-20	3790005724
0635876	D50DD-28-39.50	3777921096
0636002	S74DC-70-84	3772514113
0636375	B6293	3790006293
0637007	D30CD-11-21.25	3770521104
0637008	D50DD-23-52.75	3777921066
0637009	D25LL-19-38	3772621150
0637010	D25LL-20-38	3772621153
0637507	B5959	3790005959
0637509	B5955	3790005955
0638264	B6387	3790006387
0642850	B5427	3790005427
0642852	S53DB-22-63	3771513182
0642853	B5491	3790005491
0651550	D62LB-5-80	3771421180
0654696	B6071	3790006071
0660009	D30CD-12-20	3775421003
0660011	B6353	3790006353
0660777	D40CC-28-46	3776821107
0660778	D20DD-8-95	3770121144
0660779	B6216	3790006216
0660780	B6264	3790006264
0660781	D30CD-12-20	3775421003
0661950	SD63CC-44-164	3771833011
0661951	SD63CC-44-181	3771833010
0663500	B6314	3790006314
0672120	B6188	3790006188
0672121	B6189	3790006189
0672135	B6311	3790006311
0673089	SD63DC-75-76	3771433944
0673894	SD63DC-CP604-97	3799000604
1000066	C5219	3790005219
1000067	D32LL-11-38	3770721137
1000068	D35CC-27-26	3773821085
1000069	D45CC-20-46	3774121043
1000075	B5491	3790005491
1000077	D20DD-8-95	3770121144
1000078	S28CC-1-16	3776721044
1000081	SD53CC-48-164	3771933024
1000085	D4241	3790004241
1000087	D4389	3790004389
1000092	C4539	3790004539
1000094	D50DD-28-39.50	3777921096

## Quick Reference Guide

### McNeilus (MTM)

1000095	B5427	3790005427
1000156	D40CC-28-46	3776821107
1000158	D40CC-28-46	3776821107
1000159	B6216	3790006216
1000160	D20DD-8-95	3770121144
1000161	D25LL-19-38	3772621150
1000162	B5955	3790005955
1000163	B5956	3790005956
1000166	D50DD-23-52.75	3777921066
100LX0008	B6487	3790006487
1100028	D30CD-12-20	3775421003
1100031	D45DD-10-52.75	3774121054
1100038	D60DC-13-65.75	3771421247
1100045	B6310	3790006310
1100104	B6314	3790006314
1100105	D25LL-20-38	3772621153
1100106	B6387	3790006387
1100116	SD53CC-48-170	3771933027
1100117	D30CL-5-24	3770521130
1100314	B6447	3790006447
1101139	B6469	3790006469
1101709	D60CC-45-65.75	3775921011
1102355	B6497	3790006497
1103780	B6546	3790006546
1103899	B6487	3790006487
1103900	B6488	3790006488
1104721	B6576	3790006576
1104722	B6577	3790006577
1104922	D50DD-21-39.50	3777921061
1105098	B6585	3790006585
1105099	B6586	3790006586
1105118	B6591	3790006591
1105331	S53MB-CP677-166	3799000677
1106169	S35CC-4-37	3776815004
1106845	D40LD-10-24.75	3776821110
1106846	D45CD-5-49.12	3774121048
1106957	B5347	3790005347
1106958	C3847	3790003847
1106959	C3850	3790003850
1107471	SD63CB-26-167	3771433925
1107676	D50CC-25-43	3777921075
1107995	D17AE-2-71.88	3778121003
1107996	D30CC-20-8.00	3770521113
1108087	SD63DB-17-108	3771433929
1108088	D30CL-3-18.44	3770521099
1108089	D45CC-14-41.50	3774121035
1108091	D30CC-17-28.19	3770521108
1108092	D55CC-6-63	3771921033
1108093	D40CD-13-37	3776821078
1108095	S52DB-9-67.50	3771512080
1108096	B5743	3790005743
1108097	D30CC-19-16.00	3770521111
1108100	C3876	3790003876
1108101	C4438	3790004438
1108102	D50DC-3-45	3777921070
1108103	D30CL-2-25.25	3770521093
1108104	D55DB-2-63	3771921035
1108107	D45CC-19-41.50	3774121041
1108108	D30CC-18-8.00	3770521110
1108110	D30CC-19-16.00	3770521111
1108220	B6622	3790006622
1108286	D55DD-14-38.62	3771921049
1108287	D50DD-29-25.62	3777921097
1108290	S28CC-2-38.00	3776718001
1108291	D50DD-30-32.50	3777921098
1108292	D45DD-9-23	3774121049
1108293	S31CB-2-42	3773811005
1108392	S53MC-38-166	3771513154
1108626	B6642	3790006642

### McNeilus (MTM)

1108973	D60BC-5-30.31	3771421251
1109037	SD53CD-4-169	3771933018
1109039	SD53CC-51-182	3771933032
1109095	D30CE-11-18.50	3770521112
1109096	D30CC-20-8.00	3770521113
1109097	D30CC-18-8.00	3770521110
1109305	SD63CC-39-167	3771433906
1109306	D35CD-7-51.31	3774021009
1109307	D30LD-4-24	3770521071
1109314	SD64DC-5-145	3771434054
1109318	SD63DC-19-101	3771433937
1109366	D4292	3790004292
1109367	D4291	3790004291
1109368	D50DD-32-37.25	3777921102
1109369	B5473	3790005473
1109370	D30CL-5-24	3770521130
1109608	S35CL-2-32.69	3776815003
1109609	D40CD-11-15	3776821074
1109611	D40CL-5-32.69	3776821116
1109612	S41LC-1-39.38	3771011057
1109613	D45CC-16-32.50	3774121037
1109615	D55CC-8-37	3771921040
1109616	D40CD-11-15	3776821074
1109698	D30CA-2-3.62	3770521101
1109699	D60DB-23-72	3771421262
1109700	D70LN-5-80	3773721139
1109748	C4750	3790004750
1109749	D25LL-17-12.00	3772621145
1130000	SD63CC-44-164	3771833011
1130001	SD63CC-44-181	3771833010
1130176	B6487	3790006487
1130177	B6488	3790006488
1130637	D55CC-9-35.88	3771921041
1130638	D40CD-14-25	3776821084
1130640	D30CC-13-21.62	3770521098
1130642	D50CC-25-43	3777921075
1131012	D30CC-16-30.50	3770521106
1131025	S35CC-2-24.75	3776815001
1131210	D40CD-8-22	3776821067
1131218	D35BB-1-60	3774021011
1131389	D40DB-7-28.5	3776821123
1131393	C3563	3790003563
1131713	B5789	3790005789
1132626	D20DD-6-6.25	3770121136
1132628	SD53CC-37-168	3771433914
1132629	D20DD-6-6.25	3770121136
1132630	D20DD-3-67	3770121123
1132744	D35LL-9-38	3773821059
1132745	D60CB-5-26	3771421220
1132746	D60CL-2-40	3771421221
1132757	SD63CB-23-118	3771433922
1136596	S35CC-3-24.38	3776815002
1136597	S52CC-41-54.62	3771512092
1136598	D30CC-16-30.50	3770521106
1136602	C3603	3790003603
1136603	C3875	3790003875
1136607	SD53CC-51-151.5	3771933036
1136608	SD63DB-6-93	3771433073
1136610	SD63DB-7-132	3771433046
1136612	SD74DB-4-171	3772534031
1136622	SD63CC-28-124	3771433072
1137327	D40CC-27-19	3776821094
1137328	S52CC-41-54.62	3771512092
1137329	D55CC-7-24	3771921039
1138456	D45CD-4-51.31	3774121050
1138697	SD63CB-26-197	3771433931
1139663	D40LD-11-24.75	3776821112
1139665	D60DC-12-42.62	3771421240
1139666	D40DB-7-28.5	3776821123



## Quick Reference Guide

### McNeilus (MTM)

1140624.....	SD63CC-44-164 .....	3771833011
1140625.....	SD63CC-44-181 .....	3771833010
1141039.....	D35BB-1-80 .....	3774021012
1142328.....	S52CC-41-54.62 .....	3771512092
1142458.....	SD63CC-44-181 .....	3771833010
1143954.....	S74MM-7G-170 .....	3772514104
1144059.....	SD63CC-44-164 .....	3771833011
1144295.....	D60CB-5-26 .....	3771421220
1144296.....	SD52DC-13-140 .....	3771532072
1144302.....	SD64DC-5-156 .....	3771434055
1144606.....	SD63CC-11-96 .....	3771433044
1144702.....	D20DD-8-95 .....	3770121144
1144703.....	D32LL-11-38 .....	3770721137
1144704.....	D35CC-27-26 .....	3773821085
1144705.....	B4708 .....	3790004708
1144707.....	D25LL-20-38 .....	3772621153
1144708.....	D45CC-20-46 .....	3774121043
1145280.....	C4539 .....	3790004539
1145282.....	D45DD-10-52.75 .....	3774121054
1145283.....	D20DD-6-6.25 .....	3770121136
1145284.....	D30DD-12-9.12 .....	3790005740
1145515.....	D40CC-28-46 .....	3776821107
1145516.....	D20DD-8-107 .....	3770121139
1145517.....	B6216 .....	3790006216
1145518.....	B6642 .....	3790006642
1145616.....	D35DD-7-17.88 .....	3773821092
1145617.....	B5495 .....	3790005495
1145618.....	B5899 .....	3790005899
1145619.....	B6546 .....	3790006546
1145647.....	B6643 .....	3790006643
1145648.....	D20DD-6-6.25 .....	3770121136
1145649.....	B6622 .....	3790006622
1145650.....	D20DD-3-67 .....	3770121123
1145651.....	SD53CC-37-168 .....	3771433914
1146255.....	D60DB-16-67.5 .....	3771421181
1146285.....	D62LB-5-80 .....	3771421180
1147920.....	SD74DC-7-119 .....	3772534040
1147929.....	SD74DC-CP615-138 .....	3799000615
1148048.....	SD52DC-CP627-55 .....	3799000627
1148071.....	SD52DC-CP626-38 .....	3799000626
1148072.....	SD63DC-75-76 .....	3771433944
1148073.....	SD63DC-74-71.75 .....	3771433939
1148074.....	SD63DC-7-88 .....	3771433071
1148075.....	SD85DC-7-163 .....	3772935036
1148233.....	SD63DC-CP604-97 .....	3799000604
1148322.....	C3850 .....	3790003850
1148497.....	S63DC-77-66 .....	3771413258
1148535.....	S64DB-10-73 .....	3771414053
1148536.....	S53DB-22-63 .....	3771513182
1148537.....	S75DB-CP394-86 .....	3799000394
1148910.....	SD74DB-4-171 .....	3772534031
1149084.....	D40DD-16-22.50 .....	3776821069
1149090.....	D25LL-16-24 .....	3772621136
1149192.....	D40CD-14-25 .....	3776821084
1149523.....	D40CB-10-42 .....	3776821106
1149547.....	D25LL-12-16 .....	3772621129
1149552.....	D35CD-10-20 .....	3773821065
1149553.....	D40DD-17-42 .....	3776821070
1149557.....	D40DD-19-22.50 .....	3776821080
1149560.....	D40CC-25-32 .....	3776821088
1149561.....	D45CC-17-45 .....	3774121039
1149600.....	D50DC-4-40 .....	3771521170
1149601.....	D60CC-45-65.75 .....	3775921011
1149965.....	D25LD-3-66 .....	3772621122
1149966.....	D40CD-9-21.50 .....	3776821077
1149967.....	D25LD-3-94 .....	3772621123
1149968.....	D45CC-19-41.50 .....	3774121041
1149969.....	SD64MC-CP652-215 .....	3799000652
1149970.....	SD64MC-CP639-191 .....	3799000639

### McNeilus (MTM)

1150054.....	SD86CC-2-177 .....	3772936004
1150056.....	SD63CC-11-73 .....	3771433025
1150058.....	SD63CD-2-177 .....	3771433940
1150060.....	S63MB-14-163.12 .....	3771413254
1150061.....	S52DC-10-89.38 .....	3771512077
1151215.....	S53DB-25-72 .....	3771513188
1151216.....	D25LL-15-84 .....	3772621133
1151217.....	D25LL-14-42 .....	3772621131
1151218.....	D40CL-13-45.38 .....	3776821120
1151219.....	D45LD-7-45.38 .....	3774121032
1151220.....	D35LD-5-19 .....	3773821057
1151221.....	D60DD-20-79 .....	3771421260
1151222.....	D70DD-9-79 .....	3773721117
1151224.....	D40MD-1-72 .....	3776821092
1151225.....	B4775 .....	3790004775
1151227.....	D30LD-10-36 .....	3770521127
1151228.....	D65CC-9-66 .....	3773921049
1151229.....	D35CC-28-38 .....	3773821086
1151230.....	B5773 .....	3790005773
1151231.....	D30CD-13-28 .....	3770521128
1151232.....	D35LL-8-16 .....	3790005424
1151233.....	D35LL-7-16 .....	3790005423
1151234.....	SD52DB-CP547-84 .....	3799000547
1156041.....	SD63CB-26-167 .....	3771433925
1156058.....	S63DC-80-74.19 .....	3771413261
1156067.....	D25CC-10-14.12 .....	3772621119
1156068.....	D55CB-5-49.88 .....	3771921034
1156069.....	D55CB-6-52.88 .....	3771921038
1156344.....	S52CC-41-67.25 .....	3771512091
1164534.....	SD53CD-3-156.88 .....	3771933019
1164535.....	SD53CD-3-168 .....	3771933012
1164536.....	SD53CD-3-185.75 .....	3771533089
1178457.....	D32CC-12-15.50 .....	3770721133
1180843.....	D25LD-2-90 .....	3772621121
1180847.....	D30CC-20-8.00 .....	3770521113
1180848.....	C3602 .....	3790003602
1180849.....	C3576 .....	3790003576
1180858.....	D45CC-19-41.50 .....	3774121041
1180859.....	D40CD-8-22 .....	3776821067
1180860.....	D50CC-24-34.19 .....	3777921069
1180862.....	D30CC-17-28.19 .....	3770521108
1180863.....	D40LB-2-35.31 .....	3776821105
1180868.....	D30CC-17-28.19 .....	3770521108
1180870.....	C3820 .....	3790003820
1180872.....	D35LD-1-16 .....	3773821028
1180873.....	D35CD-11-19 .....	3773821068
1181011.....	D20LL-7-24 .....	3770121134
1181012.....	D15DD-4-30 .....	3776921020
1181025.....	SD53CC-48-164 .....	3771933024
1182845.....	D40DD-17-42 .....	3776821070
1226778.....	D55CC-12-49.12 .....	3771921050
1227259.....	D30LD-8-33.38 .....	3770521123
1227560.....	D30DD-15-89 .....	3770521116
1227639.....	C3694 .....	3790003694
1227640.....	D3832 .....	3790003832
1227648.....	D40DD-2-51 .....	3770821019
1227659.....	C3831 .....	3790003831
1227663.....	D40CD-12-28 .....	3776821075
1229097.....	SD64DC-7-133.12 .....	3771434058
1229454.....	SD62CB-13-84 .....	3771432080
1229455.....	SD52CC-29-72 .....	3771532074
1229472.....	SD64MC-CP639-191 .....	3799000639
1229473.....	SD64MC-CP652-215 .....	3799000652
1229474.....	SD53CD-4-169 .....	3771933018
1229475.....	SD53CC-51-151.5 .....	3771933036
1229476.....	D62LB-5-80 .....	3771421180
1237803.....	SD63CB-26-132.75 .....	3771433930
1237805.....	D40CB-10-42 .....	3776821106
1237807.....	D55DB-2-63 .....	3771921035

## Quick Reference Guide

### McNeilus (MTM)

1237809.....	SD63CB-26-167.....	3771433925
1237812.....	SD63CC-44-181.....	3771833010
1254376.....	SD63CC-44-164.....	3771833011
1254377.....	D50CC-24-34.19.....	3777921069
1256677.....	SD63CC-29-146.....	3771433077
1259500.....	B5545.....	3790005545
1259505.....	SD53CD-3-134.50.....	3771933030
1259507.....	SD53CD-3-156.88.....	3771933019
1260807.....	B5545.....	3790005545
1263111.....	SD53CD-3-168.....	3771933012
1263244.....	SD53CD-3-156.88.....	3771933019
1263245.....	SD53CD-3-168.....	3771933012
1263246.....	SD53CD-3-185.75.....	3771533089
1273348.....	D45DD-10-52.75.....	3774121054
200.126248.....	B6225.....	3790006225
200.126256.....	D45DD-10-52.75.....	3774121054
200.126257.....	B6236.....	3790006236
200.126258.....	S75DB-CP605-67.....	3799000605
200.126261.....	B6273.....	3790006273
200.126262.....	B6242.....	3790006242
2114661.....	D40DB-7-25.62.....	3776821122
633832.....	S75DB-CP394-86.....	3799000394
643705.....	D35DD-7-17.88.....	3773821092
643706.....	D20DD-6-6.25.....	3770121136
643710.....	B5899.....	3790005899
8130.642614.....	B6241.....	3790006241
9070.126158.....	S63DC-77-66.....	3771413258
9070.126273.....	B6371.....	3790006371
9070.126293.....	B6371.....	3790006371
9070.614332.....	D45LC-3-44.25.....	3774121046
9070.614333.....	D35CC-27-26.....	3773821085
9070.614335.....	C4404.....	3790004404
9070.633849.....	B6310.....	3790006310
9070.638264.....	B6387.....	3790006387
9070.640899.....	B4874.....	3790004874
9070.644180.....	B5442.....	3790005442
9070.644183.....	D45DD-7-34.50.....	3790006002
9070.644194.....	B5698.....	3790005698
9070.644203.....	B5899.....	3790005899
9070.651550.....	D62LB-5-80.....	3771421180
9070.654695.....	D62LB-5-80.....	3771421180
9070.654696.....	B6071.....	3790006071
9070.654697.....	D72LB-9-80.....	3772521122
9070.654698.....	B6071.....	3790006071
9070.654699.....	B5487.....	3790005487
9070.662050.....	B6317.....	3790006317
9070.662088.....	B6324.....	3790006324
9070.670032.....	SD74DC-CP615-138.....	3799000615
9070-670032.....	SD74DC-CP615-138.....	3799000615
9072.601028.....	D4143.....	3790004143
9072.601029.....	D4143.....	3790004143
9072.601048.....	D3784.....	3790003784
9072.601492.....	B5473.....	3790005473
9072.601930.....	S28CC-2-38.00.....	3776718001
9072.601940.....	S28CC-2-38.00.....	3776718001
9072.602556.....	D4143.....	3790004143
9072.604133.....	SD85DC-CP228-148.....	3799000228
9072.604134.....	D50DD-29-25.62.....	3777921097
9072.604135.....	D55DD-14-38.62.....	3771921049
9072.604137.....	SD74DC-7-119.....	3772534040
9072.604138.....	SD85DC-7-163.....	3772935036
9072.604139.....	SD63DC-7-62.....	3771433069
9072.604142.....	SD63DC-7-88.....	3771433071
9117.601669.....	SD63DA-1-78.....	3771433054
9120.601670.....	SD63DA-1-96.....	3771433047
9125.601671.....	SD74DA-1-128.....	3772534029
9130.642614.....	B6241.....	3790006241
9170.604123.....	B4227.....	3790004227
9170.604128.....	S63DC-78-77.....	3771413259

### McNeilus (MTM)

9170.605700.....	B5473.....	3790005473
9170.614335.....	C4404.....	3790004404
9170.614371.....	D20DD-8-95.....	3770121144
9170.615860.....	C4539.....	3790004539
9170.619875.....	B5454.....	3790005454
9170.619880.....	D20DD-8-107.....	3770121139
9170.619884.....	S28CC-1-16.....	3776721044
9170.631567.....	D35LD-4-20.....	3790004996
9170.632565.....	B5083.....	3790005083
9170.633829.....	B5727.....	3790005727
9170.633832.....	S75DB-CP394-86.....	3799000394
9170.634907.....	B5735.....	3790005735
9170.635889.....	S75DB-CP520-86.....	3799000520
9170.636933.....	B5901.....	3790005901
9170.637007.....	D30CD-11-21.25.....	3770521104
9170.637507.....	B5959.....	3790005959
9170.638476.....	B6291.....	3790006291
9170.642852.....	S53DB-22-63.....	3771513182
9170.660012.....	D20DD-8-107.....	3770121139
9170.660778.....	D20DD-8-95.....	3770121144
9170.672120.....	B6188.....	3790006188
9172.604147.....	D20DD-8-95.....	3770121144
9172.604148.....	B4392.....	3790004392
9180.651550.....	D62LB-5-80.....	3771421180
9180.654697.....	D72LB-9-80.....	3772521122
9270.604121.....	D40CC-29-26.....	3776821108
9270.604124.....	SD53CC-48-164.....	3771933024
9270.604126.....	D60DC-13-65.75.....	3771421247
9270.604131.....	SD63DC-7-80.....	3771433070
9270.604132.....	SD74DC-9-109.....	3772534055
9270.604137.....	SD74DC-7-119.....	3772534040
9270.604138.....	SD85DC-7-163.....	3772935036
9270.604139.....	SD63DC-74-71.75.....	3771433939
9270.604140.....	D4241.....	3790004241
9270.604142.....	SD63DC-7-88.....	3771433071
9270.604149.....	D4389.....	3790004389
9270.606950.....	C3847.....	3790003847
9270.606956.....	SD74DC-CP410-104.....	3799000410
9270.606967.....	SD63DC-CP507-82.....	3799000507
9270.606969.....	SD63DC-7-61.....	3799000441
9270.606971.....	SD63DC-CP493-46.....	3799000493
9270.614372.....	D4655.....	3790004655
9270.614373.....	D5753.....	3790005753
9270.614374.....	SD53CC-48-170.....	3771933027
9270.615860.....	C4539.....	3790004539
9270.615861.....	C4543.....	3790004543
9270.615862.....	S64DB-10-73.....	3771414053
9270.631565.....	C4894.....	3790004894
9270.632568.....	B5056.....	3790005056
9270.635876.....	D50DD-28-39.50.....	3777921096
9270.636002.....	S74DC-70-84.....	3772514113
9270.637984.....	SD63DC-CP604-97.....	3799000604
9270.642633.....	B6349.....	3790006349
9270.642850.....	B5427.....	3790005427
9270.643710.....	B5899.....	3790005899
9270.663500.....	B6314.....	3790006314
9270.673087.....	SD52DC-CP626-38.....	3799000626
9270.673088.....	SD52DC-CP627-55.....	3799000627
9270.673089.....	SD63DC-75-76.....	3771433944
9270.673894.....	SD63DC-CP604-97.....	3799000604
9272.604120.....	D4195.....	3790004195
9272.604121.....	D40CC-29-26.....	3776821108
9272.604122.....	B4135.....	3790004135
9272.604123.....	B4227.....	3790004227
9272.604124.....	SD53CC-48-164.....	3771933024
9272.604125.....	D30LL-11-31.....	3790004133
9272.604126.....	D60DC-13-65.75.....	3771421247
9272.604127.....	D32LL-11-38.....	3770721137
9272.604128.....	S63DC-78-77.....	3771413259

## Quick Reference Guide

### McNeilus (MTM)

9272.604140.....	D4241 .....	3790004241
9272.604142.....	SD63DC-7-88 .....	3771433071
9370.601930.....	S28CC-2-38.00 .....	3776718001
9370.601940.....	C4040 .....	3790004040
9370.604124.....	SD53CC-48-164 .....	3771933024
9370.604125.....	D30LL-11-31 .....	3790004133
9370.604127.....	D32LL-11-38 .....	3770721137
9370.604130.....	S28CC-2-38.00 .....	3776718001
9370.604136.....	S31CB-2-42 .....	3773811005
9370.605700.....	B5473 .....	3790005473
9370.605701.....	D25LL-17-12.00 .....	3772621145
9370.605702.....	D30CL-5-24 .....	3770521130
9370.605909.....	B6014 .....	3790006014
9370.606953.....	B5347 .....	3790005347
9370.614365.....	C5219 .....	3790005219
9370.618926.....	B5809 .....	3790005809
9370.618927.....	B5810 .....	3790005810
9370.618928.....	B5780 .....	3790005780
9370.619881.....	C5219 .....	3790005219
9370.619882.....	D32LL-11-38 .....	3770721137
9370.632570.....	D20LL-4-17.50 .....	3790004957
9370.633831.....	B5435 .....	3790005435
9370.634905.....	B4942 .....	3790004942
9370.634906.....	D20LL-8-20 .....	3790005724
9370.636375.....	B6293 .....	3790006293
9370.637009.....	D25LL-19-38 .....	3772621150
9370.637010.....	D25LL-20-38 .....	3772621153
9370.637509.....	B5955 .....	3790005955
9370.640889.....	C4500 .....	3790004500
9370.642853.....	B5491 .....	3790005491
9370.643906.....	D20LL-8-20 .....	3790005724
9370.672005.....	B6311 .....	3790006311
9370.672121.....	B6189 .....	3790006189
9370.672135.....	B6311 .....	3790006311
9370.914365.....	C5219 .....	3790005219
9430.615861.....	C4543 .....	3790004543
9430.661950.....	SD63CC-44-164 .....	3771833011
9430.661951.....	SD63CC-44-181 .....	3771833010
9470.601028.....	D4143 .....	3790004143
9470.601029.....	D4143 .....	3790004143
9470.601029R.....	D4143 .....	3790004143
9470.601048.....	D3784 .....	3790003784
9470.602556.....	D4143 .....	3790004143
9470.604048.....	D3784 .....	3790003784
9470.604124.....	SD53CC-48-164 .....	3771933024
9470.604134.....	D50DD-29-25.62 .....	3777921097
9470.604135.....	D55DD-14-38.62 .....	3771921049
9470.604143.....	D4291 .....	3790004291
9470.604144.....	D4292 .....	3790004292
9470.604145.....	D45DD-9-23 .....	3774121049
9470.604146.....	D50DD-30-32.50 .....	3777921098
9470.605951.....	B6190 .....	3790006190
9470.605952.....	B6191 .....	3790006191
9470.606690.....	C3850 .....	3790003850
9470.606950.....	C3847 .....	3790003847
9470.606953.....	B5347 .....	3790005347
9470.606960.....	C3850 .....	3790003850
9470.615860.....	D50DD-28-39.50 .....	3777921096
9470.619878.....	D5753 .....	3790005753
9470.630861.....	D50DD-28-39.50 .....	3777921096
9470.634900.....	B5734 .....	3790005734
9470.634901.....	B5736 .....	3790005736
9470.634902.....	B5733 .....	3790005733
9470.634903.....	B5750 .....	3790005750
9470.634904.....	B5751 .....	3790005751
9470.634908.....	B5757 .....	3790005757
9470.637008.....	D50DD-23-52.75 .....	3777921066
9470.637508.....	B5956 .....	3790005956
9470.640884.....	C4621 .....	3790004621

### McNeilus (MTM)

9470.640886.....	C4536 .....	3790004536
9470.642859.....	B6356 .....	3790006356
9570.604120.....	D4195 .....	3790004195
9570.604121.....	D40CC-29-26 .....	3776821108
9570.614332.....	D45LC-3-44.25 .....	3774121046
9570.614333.....	D35CC-27-26 .....	3773821085
9570.614366.....	D45CC-20-46 .....	3774121043
9570.614380.....	D45CC-20-46 .....	3774121043
9570.617862.....	B4708 .....	3790004708
9570.618928.....	B5780 .....	3790005780
9570.618929.....	D45CC-7-46 .....	3790005782
9570.619836.....	D45CC-12-44 .....	3790005670
9570.619876.....	D30CD-9-20 .....	3790005461
9570.619877.....	B5462 .....	3790005462
9570.619891.....	D45CC-20-46 .....	3774121043
9570.619980.....	B5864 .....	3790005864
9570.619985.....	D35CE-6-20 .....	3773821082
9570.640887.....	C4484 .....	3790004484
9570.640890.....	C4537 .....	3790004537
9570.640891.....	C4518 .....	3790004518
9570.640892.....	C4517 .....	3790004517
9570.640896.....	C4619 .....	3790004619
9570.640899.....	B4874 .....	3790004874
9570.643701.....	B5495 .....	3790005495
9570.643704.....	B5072 .....	3790005072
9570.643705.....	D35DD-7-17.88 .....	3773821092
9570.643706.....	D20DD-6-6.25 .....	3770121136
9570.643708.....	D30DD-12-9.12 .....	3790005740
9570.643710.....	B5899 .....	3790005899
9570.660009.....	D30CD-12-20 .....	3775421003
9570.660011.....	B6353 .....	3790006353
9570.660777.....	D40CC-28-46 .....	3776821107
9570.660780.....	B6264 .....	3790006264
9570.660781.....	D30CD-12-20 .....	3775421003
9570.660782.....	B4708 .....	3790004708
9570.660785.....	B6422 .....	3790006422
9572.601047.....	D3837 .....	3790003837
9572.601691.....	D30CL-5-24 .....	3770521130
9572.601940A.....	C4152 .....	3790004152
9572.604129.....	B5473 .....	3790005473
9770.614335.....	C4404 .....	3790004404
9770.615862.....	S64DB-10-73 .....	3771414053
9770.640888.....	S53DB-22-63 .....	3771513182
9830.620243.....	SD63DC-19-81 .....	3771433946
9830.620509.....	D60BC-6-27.81 .....	3771421256
9870.620505.....	D50CB-9-32.50 .....	3777921067
9870.620569.....	D60CD-5-34 .....	3771421254
9870.620645.....	D50CB-8-27 .....	3777921058
9870.622391.....	D50CC-23-36 .....	3777921065
9870.622392.....	D50CC-22-20 .....	3777921064
9870.622401.....	D50CC-27-36 .....	3777921093
9870.622402.....	D55CC-10-24.25 .....	3771921043
9870.623499.....	D60CF-3-32.38 .....	3771421225
9870.623992.....	D60CF-2-57 .....	3771421223
9870.623999.....	S41LC-1-39.38 .....	3771011057
9872.622234.....	D40CD-9-24 .....	3776821071
9872.622235.....	D50CE-2-43.75 .....	3777921057
9872.622236.....	D45CC-11-26.94 .....	3774121027
9872.622238.....	D60DB-20-63 .....	3771421215
9872.622239.....	SD53CC-25-106 .....	3771533051
9872.622251.....	C3847 .....	3790003847
9872.623427.....	SD75OO-2-113 .....	3772535005
9872.623428.....	SD86OO-1-146 .....	3772936002
9872.623445.....	SD86CC-1-171 .....	3772936001
9872.623446.....	SD85CC-15-125 .....	3772935003
9872.623447.....	SD84CC-11-104 .....	3772934012
9872.623473.....	S21LL-2-1.5 .....	3771411106
9872.624071.....	D3812 .....	3790003812
9872.624073.....	SD74CC-11-131 .....	3772534032

## Quick Reference Guide

### McNeilus (MTM)

9872.624076.....	SD85CC-19-348 .....	3772935026
9872.624087.....	SD94CC-9-190 .....	3773134006
9872.626002.....	SD84MC-18-176 .....	3772934020
9872.626003.....	SD85MC-15-220 .....	3772935023
9872.626004.....	SD85MC-16-220 .....	3772935024
9872.627005.....	SD62CC-20-82 .....	3771432054
9880.623829.....	SD64CC-7-132 .....	3771434035
9970.601047.....	D3837 .....	3790003837
9970.601691.....	D30CL-5-24 .....	3770521130
9970.604129.....	B5473 .....	3790005473
9970.604129A.....	B5473 .....	3790005473
9970.604975.....	C4750 .....	3790004750
9970.604976.....	D50DD-32-37.25.....	3777921102
9970-604129B.....	B5473 .....	3790005473
9972.601692.....	B3803.....	3790003803
B5327 MTM.....	D50DD-22-40.....	3790005327
C4620 MTM.....	C4620 .....	3790004620

### New Way / Scranton

2-4047 .....	SD64CB-5-80.....	3771434019
2-4048 .....	SD64CB-5-99.....	3771434022
2-4049 .....	SD64CB-5-113.....	3771434020
2-4050 .....	SD64CB-5-143.....	3771434021

### Pak-Mor Mfg

080121.....	SD52DC-13-119 .....	3771532071
1341-1 .....	C3828 .....	3790003828
1341-LM .....	C3828 .....	3790003828
135401.....	D3827 .....	3790003827
1354-01 .....	D3827 .....	3790003827
1354-LM .....	D3827 .....	3790003827
2000207.....	C3828 .....	3790003828
2000209.....	D3827 .....	3790003827
2000213.....	C3826 .....	3790003826
2000220.....	D52CD-79-80.....	3771521139
2000233.....	B4156.....	3790004156
2000306.....	B4286.....	3790004286
2001101.....	SD83MC-9-132 .....	3773033005
2001103.....	SD84MC-18-152 .....	3772934021
2001105.....	SD84MC-18-176 .....	3772934020
2001106.....	SD85MC-15-220 .....	3772935023
2001108.....	SD84MC-19-285 .....	3772934023
2001109.....	SD84MC-19-340 .....	3772934024
2001110.....	SD84MC-20-406 .....	3772934025
2001111.....	SD85MC-16-220 .....	3772935024
2001112.....	SD84MC-21-176 .....	3772934026
2001113.....	SD84MC-21-152 .....	3772934027
2001114.....	SD84MC-23-406 .....	3772934031
2001115.....	SD95MC-5-220 .....	3773135012
2001116.....	SD95MC-6-220 .....	3773135013
2001120.....	SD95MC-6-220 .....	3773135013
2001122.....	SD73CC-23-150 .....	3772533042
2001123.....	SD63MC-11-120 .....	3771433111
2001126.....	SD52DC-13-140 .....	3771532072
2001129.....	SD63MC-11-139 .....	3771433109
2001130.....	SD73CC-27-147 .....	3772133003
2001180.....	SD63DC-14-174 .....	3771433112
2162TM.....	C3826 .....	3790003826
2162-TM.....	C3826 .....	3790003826
2958-LM .....	D52CD-79-68.....	3771521138
2959-LM .....	D52CD-79-80.....	3771521139
3809-LM .....	B4156.....	3790004156
4148021.....	C4240 .....	3790004240
4149013AA.....	D4296 .....	3790004296
4149014AA.....	C4294 .....	3790004294
4149023.....	B4156.....	3790004156
4149044.....	D52CD-79-68.....	3771521138
4149075.....	D45DC-2-36 .....	3774121033
4149110.....	D35CL-2-12 .....	3773821063

### Pak-Mor Mfg

4149111.....	D40CL-4-12 .....	3776821079
4149112.....	D25CL-2-12 .....	3772621135
4300085.....	SD73CC-27-147 .....	3772133003
4310085.....	SD73CC-23-150 .....	3772533042
5762-LM .....	B4286.....	3790004286
5824-LM .....	C4240 .....	3790004240
CHL 201002-B.....	C3826 .....	3790003826
2000102.....	SD52DC-13-119 .....	3771532071
2000219.....	D52CD-79-68.....	3771521138
2001102.....	SD52DC-13-140 .....	3771532072
2001183.....	SD53CC-42-189 .....	3771933017
4148000.....	D60CB-5-26 .....	3771421220
4148022.....	D50DB-13-24 .....	3777921059
4148023.....	D50DL-2-42 .....	3777921060
4148037.....	D60CL-2-40 .....	3771421221
4148044.....	D60CB-5-47 .....	3771421217
4149004.....	D50CD-3-43.12.....	3777921062
4149065.....	D35LL-9-30 .....	3773821058
4149067.....	D35LL-9-38 .....	3773821059
4149071.....	D40CD-12-28.....	3776821075
4149073.....	D30LL-7-26.50.....	3770521094
4149131.....	D25LL-13-90 .....	3772621130

### Pioneer Tarper

H7039.....	D20LL-7-24 .....	3770121134
HR4579.....	D15DD-4-30.....	3776921020

### Rapid Rail

L10-00 .....	D17AE-2-71.88 .....	3778121003
L7-00 .....	D30CC-20-8.00.....	3770521113
L8-00 .....	D30CC-19-16.00.....	3770521111
P2300.....	B5789.....	3790005789
P23-00.....	D50CC-25-43.....	3777921075
T11-00.....	D30CE-11-18.50.....	3770521112

### Rudco

P28-022.....	D62LB-5-80.....	3771421180
P28-052.....	D72LB-9-80.....	3772521122

### Shu-Pak Refuse

807468.....	SD52DC-11-84 .....	3771532060
808788.....	S63DC-42-82 .....	3771413117

### Smart Truck Systems

80000-1 .....	S52DB-10-55 .....	3771512085
800043.....	S53DB-14-78 .....	3771513137

### Stagg C+O Dempster

4AA80273.....	D35LD-1-16 .....	3773821028
4AA80285.....	D60CC-43-96.75.....	3771421252
4AA82435.....	D60DD-18-59.75.....	3771421253
4AA90314.....	D52DD-5-40.....	3771521145
4CC80275.....	D40DD-2-51 .....	3770821019
4CC80278.....	B4285.....	3790004285
4CC80284.....	D60DD-4-69.....	3771421090

### Steco

68D1475.....	SD86CC-2-177 .....	3772936004
ST-90057.....	SD96MC-5-456 .....	3773136007

### Truxmore

P1018.....	SD83CC-13-104 .....	3773033015
P1023.....	SD84CC-20-144 .....	3772934036
P1027.....	SD84CC-20-178 .....	3772934035
P1032.....	SD85CC-9-211 .....	3773035020

### Universal Handling

16-BS-57 .....	SD73GF-2-135.....	3772533025
16-BS-58 .....	SD73GF-2-156.....	3772533024
D002-6411.....	SD74DC-9-109 .....	3772534055
D002-6413.....	SD63DC-7-80 .....	3771433070

## Quick Reference Guide

### Universal Handling

D002-6414.....	SD85DC-CP225-151 .....	3799000225
M608-8000 .....	S63DC-78-77 .....	3771413259
M609-4000 .....	SD73GF-2-156.....	3772533024
M609-5000 SPECIAL.....	SD63DC-CP195-120 .....	3799000195
M610-4000 .....	C4152 .....	3790004152
M612-7000 .....	D45DD-9-23 .....	3774121049
M612-8000 .....	D50DD-30-32.50.....	3777921098

### Vector / Guzzler

201313.....	SD53MC-3-120 .....	3771533037
1200334.....	S63DC-47-107 .....	3771413185

### Vector / Guzzler

1201313.....	SD53MC-3-120 .....	3771533037
1201552.....	SD63DB-14-120.....	3771433104
1201560.....	SD63MC-9-130 .....	3771433062
1202110.....	SD84MC-21-176.....	3772934026
N1201313.....	SD53MC-3-120 .....	3771533037

### Walinga

59-80634-6 .....	D35DD-4-24.75.....	3773821064
------------------	--------------------	------------

### Wayne Engineering

00-29781-03-WB .....	SD64MC-CP639-191 .....	3799000639
00-29781-13-WB .....	SD64MC-CP639-191 .....	3799000639
00-29781-23-WB .....	SD64MC-CP639-191 .....	3799000639
00-29781-33-WB .....	SD64MC-CP639-191 .....	3799000639
00-29781-43-WB .....	SD64MC-CP639-191 .....	3799000639
00-29781-53-AB .....	SD64MC-CP639-191 .....	3799000639
00-29781-71-AB .....	SD64MC-CP652-215 .....	3799000652
00-29781-73-AB .....	SD64MC-CP639-191 .....	3799000639
00-29781-X1-AB .....	SD64MC-CP652-215 .....	3799000652
00-29781-X3-AB .....	SD64MC-CP639-191 .....	3799000639
00-33700-31-AB .....	SD64MC-CP652-215 .....	3799000652
17636-001 .....	SD32CC-2-63 .....	3770732002
27087-03 WB.....	SD64MC-CP639-191 .....	3799000639
29781-23 WB.....	SD64MC-CP639-191 .....	3799000639
29781-71-AB .....	SD64MC-CP652-215 .....	3799000652
WB-08535-05 .....	SD42CC-11-78 .....	3771032013
WB-24069-01 .....	SD64MC-CP652-215 .....	3799000652
WB-24069-03 .....	SD64MC-CP639-191 .....	3799000639
WB-27087-01 .....	SD64MC-CP652-215 .....	3799000652
WB-27087-03 .....	SD64MC-CP639-191 .....	3799000639
WB-29781-23 .....	SD64MC-CP639-191 .....	3799000639
WC-17525-01 .....	D45CL-13-10 .....	3773621017
WC-17583-01 .....	D35CC-12-28.25.....	3773821035

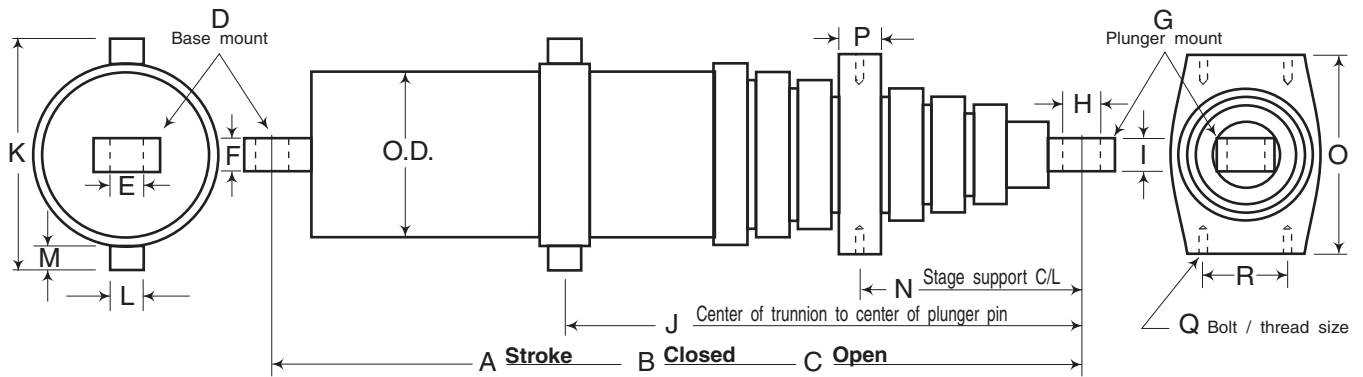
### Wittke Waste

014-0208 .....	D35CD-11-19.....	3773821068
022-9000 .....	B5545.....	3790005545
022-9900 .....	B5545.....	3790005545
095-6024 .....	SD53CD-3-156.88 .....	3771933019
100-14-1610 .....	D30DD-16-16.00.....	3770521118
110121-2 .....	D25LL-9-36 .....	3772621124
AUHC-04 .....	D15DD-3-66.....	3776921019
AUHC-06 .....	D20DD-7-12.00.....	3770121137
AUHC-07 .....	D20CC-6-4.....	3770121131
AUHC-08 .....	D50CC-21-18.50.....	3777921063
AUHC-09 .....	D30DC-2-17.38.....	3770521097
E0302160 .....	D35CD-11-19.....	3773821068
FL7-A066.....	D35CD-11-19.....	3773821068
FL7-A067.....	SD53CD-3-134.50 .....	3771933030
FL7-A116.....	SD53CD-3-156.88 .....	3771933019
FL7-A117.....	SD53CD-3-168 .....	3771933012
FL7-A117W .....	SD53CD-3-168 .....	3771933012
FL7-A118.....	SD53CD-3-185.75 .....	3771533089
FL7-A118W .....	SD53CD-3-185.75 .....	3771533089
FL7-A123.....	SD53CD-3-134.50 .....	3771933030
FL7-A123W .....	SD53CD-3-134.50 .....	3771933030
FL7-A125.....	SD53CD-3-156.88 .....	3771933019

### Wittke Waste

FL7-A125W .....	SD53CD-3-156.88 .....	3771933019
FLHC-02.....	B5545.....	3790005545
FLHC-06.....	S53DB-25-72 .....	3771513188
FLHC-07.....	SD53CD-3-156.88 .....	3771933019
FLHC-08.....	SD53CD-3-168 .....	3771933012
FLHC-18.....	SD53CD-3-156.88 .....	3771933019
FLHC-19.....	SD53CD-3-168 .....	3771933012
FLHC-20.....	SD53CD-3-185.75 .....	3771533089
FLHC-24.....	B5545.....	3790005545
FLHC-25.....	D25LL-14-42 .....	3772621131
FLHC-26A.....	B5547.....	3790005547
FLHC-26B.....	D40CL-13-45.38 .....	3776821120
FLHC-26C.....	D45LD-7-45.38 .....	3774121032
FLHC-27.....	D35LD-5-19 .....	3773821057
FLHC-27A.....	D35LD-5-19 .....	3773821057
FLHC-28.....	B5549.....	3790005549
FLHC-28C.....	D45LD-7-45.38 .....	3774121032
FLHC-29.....	D25LL-9-36 .....	3772621124
FLHC-30.....	SD53CD-3-156.88 .....	3771933019
FLHC-31.....	SD53CD-3-168 .....	3771933012
FLHC-32.....	SD53CD-3-185.75 .....	3771533089
FLHC-33.....	D25LL-15-71.50 .....	3772621134
FLHC-34.....	D25LL-15-84 .....	3772621133
FLHC-35.....	B5772.....	3790005772
FLHC-36.....	S53DB-25-72 .....	3771513188
FLHC-42.....	D30DD-16-16.00.....	3770521118
H10-0273.....	D30DC-3-17.38.....	3770521136
MLHC-02.....	D50DD-25-40.....	3777921079
ROHC-03.....	B5732.....	3790005732
SM2-22-1.5-66.....	D15DD-3-66.....	3776921019

# Telescopic Cylinder Application Data Form



Cylinder application \_\_\_\_\_

Single- or Double-acting \_\_\_\_\_ System operating pressure Normal \_\_\_\_ Max. \_\_\_\_

O.D. of body \_\_\_\_\_ Is there a relief valve in system \_\_\_\_ Setting \_\_\_\_

O.D. largest moving stage \_\_\_\_\_ System flow in G.P.M Min. \_\_\_\_ Max. \_\_\_\_

Number of moving stages \_\_\_\_\_ System operating temp. Normal \_\_\_\_ Max. \_\_\_\_

Chrome or non-chrome stages \_\_\_\_\_ Fluid type \_\_\_\_\_

Mounting conditions \_\_\_\_Vert. \_\_\_\_Horz. \_\_\_\_Incline angle Load holding requirements \_\_\_\_\_

Any side or eccentric loading possible \_\_\_\_\_ Environmental condition \_\_\_\_\_

A : Total stroke \_\_\_\_\_ J : Plunger pin to trunnion C/L (if applicable) \_\_\_\_\_

B : Closed length \_\_\_\_\_ K : Trunnion overall width \_\_\_\_\_

C : Open length \_\_\_\_\_ L : Trunnion lug diameters \_\_\_\_\_

D : Base mount type or code \_\_\_\_\_ M : Trunnion lug lengths \_\_\_\_\_

E : Base pin diameter \_\_\_\_\_ N : Plunger pin to stage support (if applicable) \_\_\_\_\_

F : Base mount width \_\_\_\_\_ O : Stage support width \_\_\_\_\_

G : Plunger mount type or code \_\_\_\_\_ P : Stage support thickness \_\_\_\_\_

H : Plunger pin diameter \_\_\_\_\_ Q : Stage support bolt & thread size \_\_\_\_\_

I : Plunger mount width \_\_\_\_\_ R : Stage support bolt locations & C/L's \_\_\_\_\_

Special mounting (if applicable) \_\_\_\_\_

Extend port size and type \_\_\_\_\_ Extend port location \_\_\_\_\_

Retract port size and type \_\_\_\_\_ Retract port location \_\_\_\_\_

Special features or comments \_\_\_\_\_

Requested by: Firm \_\_\_\_\_ Current Quan. \_\_\_\_\_

Address \_\_\_\_\_ Future Quan. \_\_\_\_\_

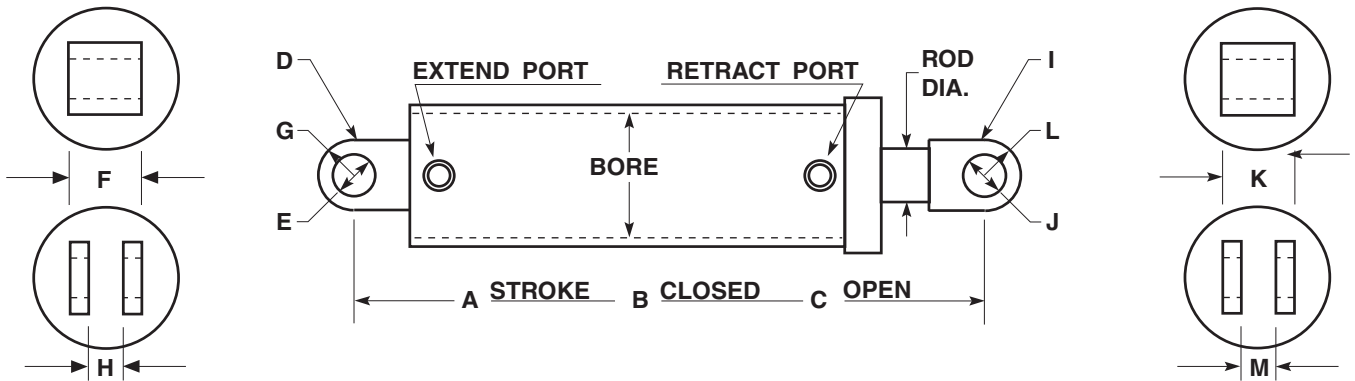
City \_\_\_\_\_ State \_\_\_\_\_ Zip \_\_\_\_\_

Phone \_\_\_\_\_ Fax \_\_\_\_\_

Contact \_\_\_\_\_

Phone: (800) 848-5575 \* 330-480-8431 \* Fax (800) 694-3392 \* 330-480-8432

**Piston Rod Cylinder Application Data Form**



Cylinder application \_\_\_\_\_

Single- or Double-acting \_\_\_\_\_ System operating pressure Normal \_\_\_\_ Max. \_\_\_\_

Bore \_\_\_\_\_ Is there a relief valve in system \_\_\_\_ Setting \_\_\_\_

Rod diameter \_\_\_\_\_ System flow in G.P.M Min. \_\_\_\_ Max. \_\_\_\_

Head & gland design \_\_\_\_\_ System operating temp. Normal \_\_\_\_ Max. \_\_\_\_

Piston design \_\_\_\_\_ Fluid type \_\_\_\_\_

Mounting conditions \_\_\_\_Vert. \_\_\_\_Horz. \_\_\_\_Incline angle Load holding requirements \_\_\_\_\_

Any side or eccentric loading possible \_\_\_\_\_ Environmental condition \_\_\_\_\_

A : Total stroke \_\_\_\_\_

B : Closed length \_\_\_\_\_

C : Open length \_\_\_\_\_

D : Base mount type or code \_\_\_\_\_

I : Plunger mount type or code \_\_\_\_\_

E : Base pin diameter \_\_\_\_\_

J : Plunger pin diameter \_\_\_\_\_

F : Base mount width \_\_\_\_\_

K : Plunger mount width \_\_\_\_\_

G : Base mount radius \_\_\_\_\_

L : Plunger mount radius \_\_\_\_\_

H Base Clevis Gap (if applicable) \_\_\_\_\_

M : Plunger clevis gap (if applicable) \_\_\_\_\_

Special mounting (if applicable) \_\_\_\_\_

Extend port size and type \_\_\_\_\_ Extend port location \_\_\_\_\_

Retract port size and type \_\_\_\_\_ Retract port location \_\_\_\_\_

Special features or comments \_\_\_\_\_

Requested by: Firm \_\_\_\_\_ Current Quan. \_\_\_\_\_

Address \_\_\_\_\_ Future Quan. \_\_\_\_\_

City \_\_\_\_\_ State \_\_\_\_\_ Zip \_\_\_\_\_

Phone \_\_\_\_\_ Fax \_\_\_\_\_

Contact \_\_\_\_\_

Phone: (800) 848-5575 \* 330-480-8431 \* Fax (800) 694-3392 \* 330-480-8432



## Storage and Installation

---

### STORAGE

It pays to keep spare hydraulic cylinders on hand for use when you need them. But, you must know and follow these recommended storage practices or the cylinders can be ruined. Hydraulic cylinders, though often large and unwieldy, are precision machines with finely finished parts and close tolerances. And they're expensive. So handle them with care.

For optimum storage life, hydraulic cylinders should be kept in an environment that is protected from excessive moisture and temperature extremes. A hot, dry desert climate with cold nights, for example, must be accommodated when choosing the storage area. Daytime heat quickly bakes oil out of sealing materials, which causes leaks and rapid wear when the cylinder is placed in service. Cooling at night causes water condensation and corrosion damage to wear surfaces. Storage areas that allow exposure to rain, snow and extreme cold must like wise be avoided.

It's best to store cylinders indoors if possible. But indoors or out, be sure that plugs or closures are properly installed in all ports to keep out moisture and dirt. However, overtightening of port plugs should be avoided. Widely varying temperatures and tightly closed ports may cause pressure inside the cylinder to build up to the point where the piston moves far enough to expose the rod to corrosion or contamination. Try to choose a storage location where the cylinders are protected from physical damage. Even a little ding from a falling bar or forklift tine can cause trouble later.

Cylinders, Particularly large ones, should be stored closed in a vertical position with the rod end down. Be sure they're blocked securely to keep them from toppling. Storing with the rod ends down keeps oil on the seals, which protects them from drying out. This is more critical with fabric and butyl seals than with urethane sealing materials. Storing single-acting cylinders with the rod end up can cause port closures to pop open and leak, exposing the sleeves to corrosion damage and contamination. Storing with the rod end down also discourages the temptation to lift a cylinder by the rod eye – a dangerous practice. If horizontal storage cannot be avoided, the rod or cylinder should be rolled into a new position every two months or so to prevent drying, distortion and deterioration of the seals. Don't forget that a cylinder can be a major source of contamination. A small scratch or nick on the sleeve will quickly shred packing and contaminate the system. Store cylinders carefully and keep them clean.

The following procedures should be followed in order to prevent oxidation and maintain the surfaces of a mounted hydraulic cylinder during idle periods. These idle periods may include; inventory units, demo units, out of service units, etc.

- All machined surfaces left expose should be coated with a light film of grease, if not oxidation will occur.
- If oxidation is present, apply a light coat of oil to the surfaces.
- Buff surfaces with 320 or 400 grit sandpaper. Do not buff surfaces up and down the length, buff only around the circumference.
- If after buffing, the surfaces show evidence of oxidation damage i.e., pitting, the cylinder should be inspected by an authorized service center for evaluation.
- Operation of a hydraulic cylinder with surface damage will shorten the longevity and preclude any warranty express or implied.

### INSTALLATION

- Cleanliness is an important consideration, and Parker cylinders are shipped with the ports plugged to protect them from contaminants entering the ports. These plugs should not be removed until the piping is to be installed. Before making the connection to the cylinder ports, the piping should be thoroughly cleaned to remove all chips or burrs which might have resulted from threading or flaring operations. One small foreign particle can cause premature failure of the cylinder or other hydraulic system components. If oxidation is present, apply a light coat of oil to the surfaces.
- Proper alignment of the cylinder piston rod and its mating component on the machine should be checked in both the extended and retracted positions. Improper alignment will result in excessive rod gland and/or cylinder bore wear.
- Cylinders operating in an environment where air drying material are present such as fast- drying chemicals, paint, or welding splatter, or other hazardous conditions such as excessive heat, should have shields installed to prevent damage to the piston rod and piston rod seals.



## **Parker Safety Guide for Selecting and Using Hydraulic Cylinders and Their Accessories**

**WARNING:  FAILURE OR IMPROPER SELECTION OR IMPROPER USE OF CYLINDERS AND THEIR RELATED ACCESSORIES CAN CAUSE DEATH, PERSONAL INJURY AND PROPERTY DAMAGE.**

**Before selecting or using Parker cylinders or related accessories, it is important that you read, understand and follow the following safety information.**

### **User Responsibility**

Due to very wide variety of cylinder applications and cylinder operating conditions, Parker does not warrant that any particular cylinder is suitable for any specific application. This safety guide does not analyze all technical parameters that must be considered in selecting a product. The hydraulic and pneumatic cylinders outlined in this catalog are designed to Parker's design guide lines and do not necessarily meet the design guide lines of other agencies such as American Bureau of Shipping, ASME Pressure Vessel Code etc. The user, through its own analysis and testing, is solely responsible for:

- Making the final selection of the cylinders and related accessories.
- Determining if the cylinders are required to meet specific design requirements as required by the Agency(s) or industry standards covering the design of the user's equipment.
- Assuring that the user's requirements are met, OSHA requirements are met, and safety guidelines from the applicable agencies such as but not limited to ANSI are followed and that the use presents no health or safety hazards.
- Providing all appropriate health and safety warnings on the equipment on which the cylinders are used.

### **Seals**

The seals for the product lines shown in this catalogue are intended for mineral base hydraulic fluids and for the operating temperatures ranges as indicated. The operation of these products with other fluids or at other operating temperatures must be brought to the attention of our engineering department so that proper seals for intended operation may be selected.

The application of cylinders may allow fluids such as cutting fluids, wash down fluids etc. to come in contact with the external area of the cylinder. These fluids may attack the piston rod wiper and or the primary seal and must be taken into account when selecting and specifying seal compounds.

Dynamic seals will wear. The rate of wear will depend on many operating factors. Wear can be rapid if a cylinder is mis-aligned or if the cylinder has been improperly serviced. The user must take seal wear into consideration in the application of cylinders.

### **Piston Rods**

Possible consequences of piston rod failure or separation of the piston rod from the piston include, but are not limited to are:

- Piston rod and or attached load thrown off at high speed.
- High velocity fluid discharge.
- Piston rod extending when pressure is applied in the piston retract mode.

Piston rods or machine members attached to the piston rod may move suddenly and without warning as a consequence of other conditions occurring to the machine such as, but not limited to:

- Unexpected detachment of the machine member from the piston rod.
- Failure of the pressurized fluid delivery system (hoses, fittings, valves, pumps, compressors) which maintain cylinder position.
- Catastrophic cylinder seal failure leading to sudden loss of pressurized fluid.
- Failure of the machine control system.

Part of selecting cylinders for a specific operation involves the proper selection of the piston rod diameter. This catalogue contains informa-

tion in the selection of piston rod diameter, which must be followed in order to avoid possible buckling.

Piston rods are not normally designed to absorb bending moments or loads which are perpendicular to the axis of piston rod motion. These additional loads can cause the piston rod to fail. If these types of additional loads are expected to be imposed on the piston rod, their magnitude should be made known to our engineering department.

The cylinder user should always make sure that the piston rod is securely attached to the machine member.

### **Cushions**

Cushions are devices internal to the cylinder to slow the piston and rod assembly down at the end of the stroke. It is suggested they be used to reduce piston impact at the end of the cylinder stroke when the cylinder is expected to move at relatively high velocity.

Cylinder cushions are normally designed to absorb the energy of a linear applied load. A rotating mass has considerably more energy than the same mass moving in a linear mode. Cushioning for a rotating mass application should be review by our engineering department.

### **Cylinder Mountings**

Some cylinder mounting configurations may have certain limitations such as but not limited to minimum stroke for side or foot mounting cylinders or pressure de-ratings for certain flange mounts. Carefully review the catalog for these types of restrictions.

Always mount cylinders using the largest possible high tensile alloy steel socket head cap screws that can fit in the cylinder mounting holes and torque them to the manufacturer's recommendations for their size.

### **Port Fittings**

Hydraulic cylinders applied with meter out or deceleration circuits are subject to intensified pressure at piston rod end.

The rod end pressure is approximately equal to:

$$\frac{\text{operating pressure} \times \text{effective cap end area}}{\text{effective rod end piston area}}$$

Contact your connector supplier for the pressure rating of individual connectors.

### **Cylinder Modifications or Repairs**

Cylinders as shipped from the factory are not to be disassembled and or modified. If cylinders require modifications, these modifications must be done at Parker locations or by Parker certified facilities. The Mobile Cylinder Division Engineering Department must be notified in the event of a mechanical fracture or permanent deformation of any cylinder component (excluding seals). This includes a broken piston rod, mounting accessory or any other cylinder component. This notification should include all operation and application details. This information will be used to provide an engineered repair that will prevent recurrence of the failure. It is allowed to disassemble cylinders for the purpose of replacing seals or seal assemblies.

## Offer of Sale

The items described in this document and other documents and descriptions provided by Parker Hannifin Corporation, its subsidiaries and its authorized distributors ("Seller") are hereby offered for sale at prices to be established by Seller. This offer and its acceptance by any customer ("Buyer") shall be governed by all of the following Terms and Conditions. Buyer's order for any item described in its document, when communicated to Seller verbally, or in writing, shall constitute acceptance of this offer. All goods or work described will be referred to as "Products".

1. **Terms and Conditions.** Seller's willingness to offer Products, or accept an order for Products, to or from Buyer is expressly conditioned on Buyer's assent to these Terms and Conditions and to the terms and conditions found on-line at [www.parker.com/sale/terms/](http://www.parker.com/sale/terms/). Seller objects to any contrary or additional term or condition of Buyer's order or any other document issued by Buyer.
2. **Price Adjustments; Payments.** Prices stated on the reverse side or preceding pages of this document are valid for 30 days. After 30 days, Seller may change prices to reflect any increase in its costs resulting from state, federal or local legislation, price increases from its suppliers, or any change in the rate, charge, or classification of any carrier. The prices stated on the reverse or preceding pages of this document do not include any sales, use, or other taxes unless so stated specifically. Unless otherwise specified by Seller, all prices are F.O.B. Seller's facility, and payment is due 30 days from the date of invoice. After 30 days, Buyer shall pay interest on any unpaid invoices at the rate of 1.5% per month or the maximum allowable rate under applicable law.
3. **Delivery Dates; Title and Risk; Shipment.** All delivery dates are approximate and Seller shall not be responsible for any damages resulting from any delay. Regardless of the manner of shipment, title to any products and risk of loss or damage shall pass to Buyer upon tender to the carrier at Seller's facility (*i.e.*, when it's on the truck, it's yours). Unless otherwise stated, Seller may exercise its judgment in choosing the carrier and means of delivery. No deferment of shipment at Buyers' request beyond the respective dates indicated will be made except on terms that will indemnify, defend and hold Seller harmless against all loss and additional expense. Buyer shall be responsible for any additional shipping charges incurred by Seller due to Buyer's changes in shipping, product specifications or in accordance with Section 13, herein.
4. **Warranty.** Seller warrants that the Products sold hereunder shall be free from defects in material or workmanship for a period of eighteen months from the date of delivery to Buyer. The prices charged for Seller's products are based upon the exclusive limited warranty stated above, and upon the following disclaimer: **DISCLAIMER OF WARRANTY: THIS WARRANTY COMPRISES THE SOLE AND ENTIRE WARRANTY PERTAINING TO PRODUCTS PROVIDED HEREUNDER. SELLER DISCLAIMS ALL OTHER WARRANTIES, EXPRESS AND IMPLIED, INCLUDING MERCHANTABILITY AND FITNESS FOR A PARTICULAR PURPOSE.**
5. **Claims; Commencement of Actions.** Buyer shall promptly inspect all Products upon delivery. No claims for shortages will be allowed unless reported to the Seller within 10 days of delivery. No other claims against Seller will be allowed unless asserted in writing within 60 days after delivery or, in the case of an alleged breach of warranty, within 30 days after the date within the warranty period on which the defect is or should have been discovered by Buyer. Any action based upon breach of this agreement or upon any other claim arising out of this sale (other than an action by Seller for any amount due to Seller from Buyer) must be commenced within thirteen months from the date of tender of delivery by Seller or, for a cause of action based upon an alleged breach of warranty, within thirteen months from the date within the warranty period on which the defect is or should have been discovered by Buyer.
6. **LIMITATION OF LIABILITY.** UPON NOTIFICATION, SELLER WILL, AT ITS OPTION, REPAIR OR REPLACE A DEFECTIVE PRODUCT, OR REFUND THE PURCHASE PRICE. **IN NO EVENT SHALL SELLER BE LIABLE TO BUYER FOR ANY SPECIAL, INDIRECT, INCIDENTAL OR CONSEQUENTIAL DAMAGES ARISING OUT OF, OR AS THE RESULT OF, THE SALE, DELIVERY, NON-DELIVERY, SERVICING, USE OR LOSS OF USE OF THE PRODUCTS OR ANY PART THEREOF, OR FOR ANY CHARGES OR EXPENSES OF ANY NATURE INCURRED WITHOUT SELLER'S WRITTEN CONSENT, EVEN IF SELLER HAS BEEN NEGLIGENT, WHETHER IN CONTRACT, TORT OR OTHER LEGAL THEORY. IN NO EVENT SHALL SELLER'S LIABILITY UNDER ANY CLAIM MADE BY BUYER EXCEED THE PURCHASE PRICE OF THE PRODUCTS.**
7. **Contingencies.** Seller shall not be liable for any default or delay in performance if caused by circumstances beyond the reasonable control of Seller.
8. **User Responsibility.** The user, through its own analysis and testing, is solely responsible for making the final selection of the system and Product and assuring that all performance, endurance, maintenance, safety and warning requirements of the application are met. The user must analyze all aspects of the application and follow applicable industry standards and Product information. If Seller provides Product or system options, the user is responsible for determining that such data and specifications are suitable and sufficient for all applications and reasonably foreseeable uses of the Products or systems.
9. **Loss to Buyer's Property.** Any designs, tools, patterns, materials, drawings, confidential information or equipment furnished by Buyer or any other items which become Buyer's property, may be considered obsolete and may be destroyed by Seller after two consecutive years have elapsed without Buyer placing an order for the items which are manufactured using such property. Seller shall not be responsible for any loss or damage to such property while it is in Seller's possession or control.
10. **Special Tooling.** A tooling charge may be imposed for any special tooling, including without limitation, dies, fixtures, molds and patterns, acquired to manufacture Products. Such special tooling shall be and remain Seller's property notwithstanding payment of any charges by Buyer. In no event will Buyer acquire any interest in apparatus belonging to Seller which is utilized in the manufacture of the Products, even if such apparatus has been specially converted or adapted for such manufacture and notwithstanding any charges paid by Buyer. Unless otherwise agreed, Seller shall have the right to alter, discard or otherwise dispose of any special tooling or other property in its sole discretion at any time.
11. **Buyer's Obligation; Rights of Seller.** To secure payment of all sums due or otherwise, Seller shall retain a security interest in the goods delivered and this agreement shall be deemed a Security Agreement under the Uniform Commercial Code. Buyer authorizes Seller as its attorney to execute and file on Buyer's behalf all documents Seller deems necessary to perfect its security interest. Seller shall have a security interest in, and lien upon, any property of Buyer in Seller's possession as security for the payment of any amounts owed to Seller by Buyer.
12. **Improper use and Indemnity.** Buyer shall indemnify, defend, and hold Seller harmless from any claim, liability, damages, lawsuits, and costs (including attorney fees), whether for personal injury, property damage, patent, trademark or copyright infringement or any other claim, brought by or incurred by Buyer, Buyer's employees, or any other person, arising out of: (a) improper selection, improper application or other misuse of Products purchased by Buyer from Seller; (b) any act or omission, negligent or otherwise, of Buyer; (c) Seller's use of patterns, plans, drawings, or specifications furnished by Buyer to manufacture Product; or (d) Buyer's failure to comply with these terms and conditions. Seller shall not indemnify Buyer under any circumstance except as otherwise provided.
13. **Cancellations and Changes.** Orders shall not be subject to cancellation or change by Buyer for any reason, except with Seller's written consent and upon terms that will indemnify, defend and hold Seller harmless against all direct, incidental and consequential loss or damage. Seller may change product features, specifications, designs and availability with notice to Buyer.
14. **Limitation on Assignment.** Buyer may not assign its rights or obligations under this agreement without the prior written consent of Seller.
15. **Entire Agreement.** This agreement contains the entire agreement between the Buyer and Seller and constitutes the final, complete and exclusive expression of the terms of the agreement. All prior or contemporaneous written or oral agreements or negotiations with respect to the subject matter are herein merged.
16. **Waiver and Severability.** Failure to enforce any provision of this agreement will not waive that provision nor will any such failure prejudice Seller's right to enforce that provision in the future. Invalidation of any provision of this agreement by legislation or other rule of law shall not invalidate any other provision herein. The remaining provisions of this agreement will remain in full force and effect.
17. **Termination.** This agreement may be terminated by Seller for any reason and at any time by giving Buyer thirty (30) days written notice of termination. In addition, Seller may by written notice immediately terminate this agreement for the following: (a) Buyer commits a breach of any provision of this agreement (b) the appointment of a trustee, receiver or custodian for all or any part of Buyer's property (c) the filing of a petition for relief in bankruptcy of the other Party on its own behalf, or by a third party (d) an assignment for the benefit of creditors, or (e) the dissolution or liquidation of the Buyer.
18. **Governing Law.** This agreement and the sale and delivery of all Products hereunder shall be deemed to have taken place in and shall be governed and construed in accordance with the laws of the State of Ohio, as applicable to contracts executed and wholly performed therein and without regard to conflicts of laws principles. Buyer irrevocably agrees and consents to the exclusive jurisdiction and venue of the courts of Cuyahoga County, Ohio with respect to any dispute, controversy or claim arising out of or relating to this agreement. Disputes between the parties shall not be settled by arbitration unless, after a dispute has arisen, both parties expressly agree in writing to arbitrate the dispute.
19. **Indemnity for Infringement of Intellectual Property Rights.** Seller shall have no liability for infringement of any patents, trademarks, copyrights, trade dress, trade secrets or similar rights except as provided in this Section. Seller will defend and indemnify Buyer against allegations of infringement of U.S. patents, U.S. trademarks, copyrights, trade dress and trade secrets ("Intellectual Property Rights"). Seller will defend at its expense and will pay the cost of any settlement or damages awarded in an action brought against Buyer based on an allegation that a Product sold pursuant to this Agreement infringes the Intellectual Property Rights of a third party. Seller's obligation to defend and indemnify Buyer is contingent on Buyer notifying Seller within ten (10) days after Buyer becomes aware of such allegations of infringement, and Seller having sole control over the defense of any allegations or actions including all negotiations for settlement or compromise. If a Product is subject to a claim that it infringes the Intellectual Property Rights of a third party, Seller may, at its sole expense and option, procure for Buyer the right to continue using the Product, replace or modify the Product so as to make it non-infringing, or offer to accept return of the Product and return the purchase price less a reasonable allowance for depreciation. Notwithstanding the foregoing, Seller shall have no liability for claims of infringement based on information provided by Buyer, or directed to Products delivered hereunder for which the designs are specified in whole or part by Buyer, or infringements resulting from the modification, combination or use in a system of any Product sold hereunder. The foregoing provisions of this Section shall constitute Seller's sole and exclusive liability and Buyer's sole and exclusive remedy for infringement of Intellectual Property Rights.
20. **Taxes.** Unless otherwise indicated, all prices and charges are exclusive of excise, sales, use, property, occupational or like taxes which may be imposed by any taxing authority upon the manufacture, sale or delivery of Products.
21. **Equal Opportunity Clause.** For the performance of government contracts and where dollar value of the Products exceed \$10,000, the equal employment opportunity clauses in Executive Order 11246, VEVRRA, and 41 C.F.R. §§ 60-1.4(a), 60-741.5(a), and 60-250.4, are hereby incorporated.



**Parker Hannifin Corporation**  
6035 Parkland Blvd.  
Cleveland, Ohio 44124-4141  
Telephone: (216) 896-3000  
Fax: (216) 896-4000  
www.parker.com

## Parker Hannifin Corporation

### About Parker Hannifin Corporation

Parker Hannifin is a leading global motion-control company dedicated to delivering premier customer service. A Fortune 500 corporation listed on the New York Stock Exchange (PH), our components and systems comprise over 1,400 product lines that control motion in some 1,000 industrial and aerospace markets. Parker is the only manufacturer to offer its customers a choice of hydraulic, pneumatic, and electromechanical motion-control solutions. Our Company has the largest distribution network in its field, with over 7,500 distributors serving nearly 400,000 customers worldwide.

### Parker's Charter

To be a leading worldwide manufacturer of components and systems for the builders and users of durable goods. More specifically, we will design, market and manufacture products controlling motion, flow and pressure. We will achieve profitable growth through premier customer service.

### Product Information

North American customers seeking product information, the location of a nearby distributor, or repair services will receive prompt attention by calling the Parker Product Information Center at our toll-free number: 1-800-C-PARKER (1-800-272-7537). In Europe, call 00800-C-PARKER-H (00800-2727-5374).

#### The Aerospace Group

is a leader in the development, design, manufacture and servicing of control systems and components for aerospace and related high-technology markets, while achieving growth through premier customer service.



#### The Climate & Industrial Controls Group

designs, manufactures and markets system-control and fluid-handling components and systems to refrigeration, air-conditioning and industrial customers worldwide.



#### The Fluid Connectors Group

designs, manufactures and markets rigid and flexible connectors, and associated products used in pneumatic and fluid systems.



**The Seal Group** designs, manufactures and distributes industrial and commercial sealing devices and related products by providing superior quality and total customer satisfaction.



#### The Hydraulics Group

designs, produces and markets a full spectrum of hydraulic components and systems to builders and users of industrial and mobile machinery and equipment.



#### The Filtration Group

designs, manufactures and markets quality filtration and clarification products, providing customers with the best value, quality, technical support, and global availability.



**The Automation Group** is a leading supplier of pneumatic and electromechanical components and systems to automation customers worldwide.



**The Instrumentation Group** is a global leader in the design, manufacture and distribution of high-quality critical flow components for worldwide process instrumentation, ultra-high-purity, medical and analytical applications.





Parker Hannifin Corporation  
**Mobile Cylinder Div.**  
P.O. Box 239  
Youngstown, OH 44501-0239  
phone (330) 480-8431  
fax (330) 480-8432  
[www.parker.com](http://www.parker.com)